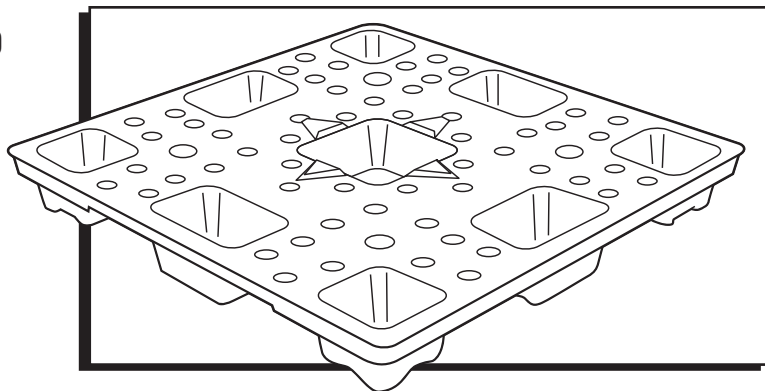


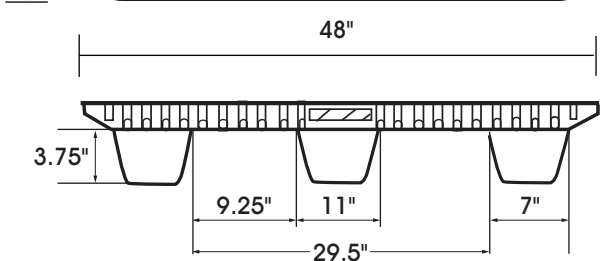
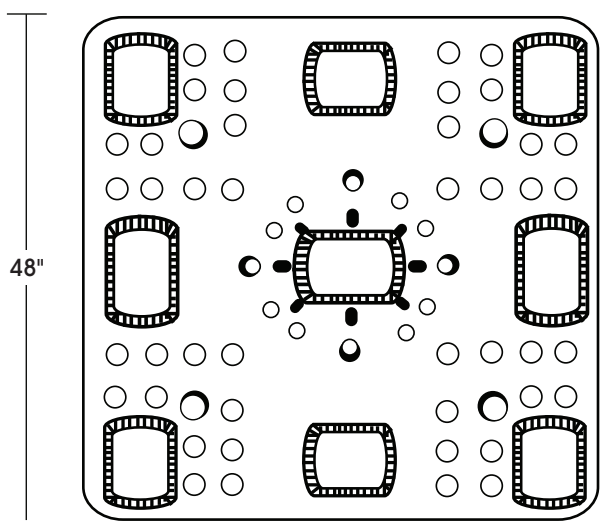
ULINE H-1126 PLASTIC DRUM PALLET

1-800-295-5510
 uline.com

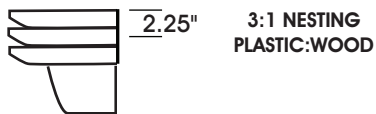


PRODUCT DIMENSIONS

TOP VIEW



SIDE VIEW

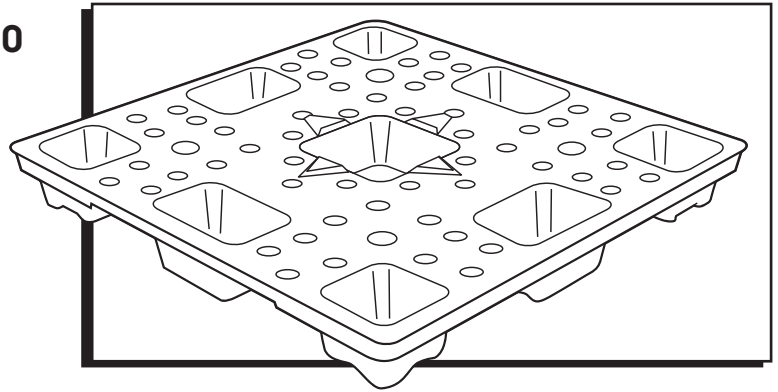


SPECIFICATIONS

| MODEL # | DIMENSIONS | | HEIGHT | | | NESTED TRAILER | | WEIGHT CAPACITY | | WEIGHT |
|---------|------------|-----|--------|---------|---------|----------------|-----|-----------------|------------|---------|
| | L | W | FORK | OVERALL | NESTING | 48' | 53' | FLOOR | FORK | |
| H-1126 | 48" | 48" | 3.75" | 6.5" | 2.25" | 660 | 720 | 8,400 lbs. | 2,800 lbs. | 27 lbs. |

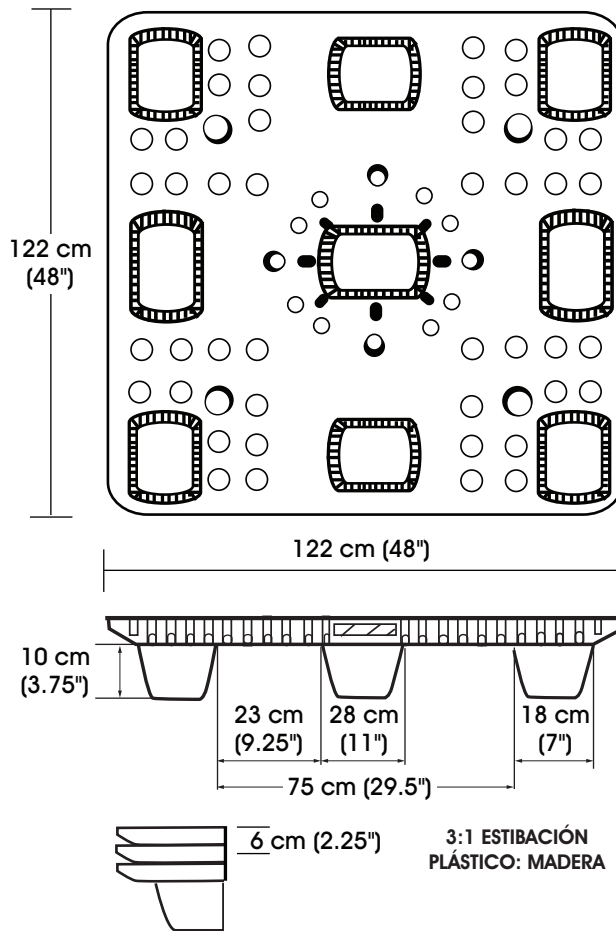
ULINE H-1126
TARIMA PARA
TAMBOS DE
PLÁSTICO

01-800-295-5510
 uline.mx



DIMENSIONES DEL PRODUCTO

VISTA SUPERIOR



VISTA LATERAL

ESPECIFICACIONES

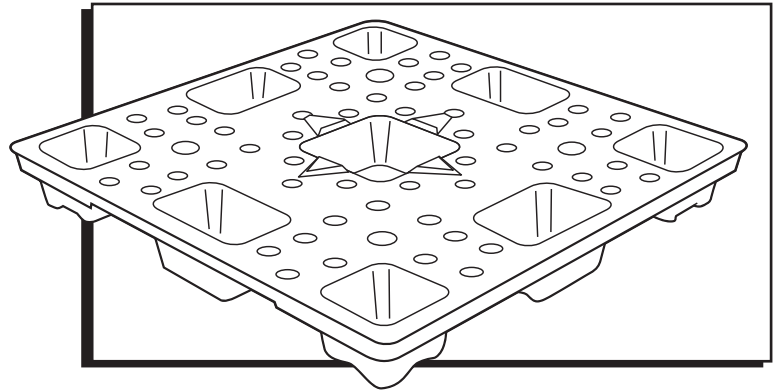
| MODELO NO. | DIMENSIONES | | ALTURA | | | EMBONADAS EN TRÁILER | | CAPACIDAD DE PESO | | PESO |
|------------|--------------|--------------|---------------|--------------|--------------|----------------------|---------------|-----------------------|-----------------------|-----------------|
| | LARGO | ANCHO | HORQUILLA | TOTAL | EMBONABLE | 14.6 m (48') | 16.15 m (53') | PISO | HORQUILLA | |
| H-1126 | 122 cm (48") | 122 cm (48") | 10 cm (3.75") | 17 cm (6.5") | 6 cm (2.25") | 660 | 720 | 3,810 kg (8,400 lbs.) | 1,270 kg (2,800 lbs.) | 12 kg (27 lbs.) |

ULINE H-1126

**PALETTE EN
PLASTIQUE
POUR BARILS**

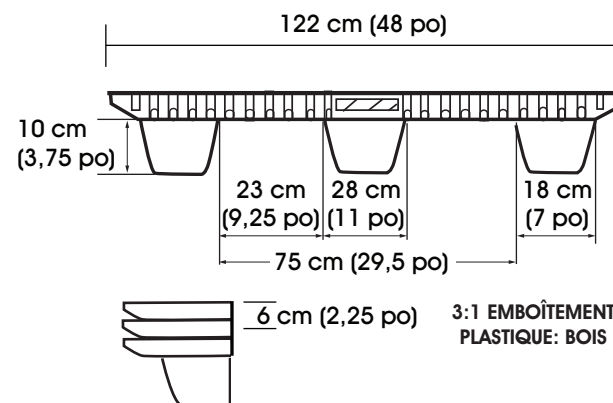
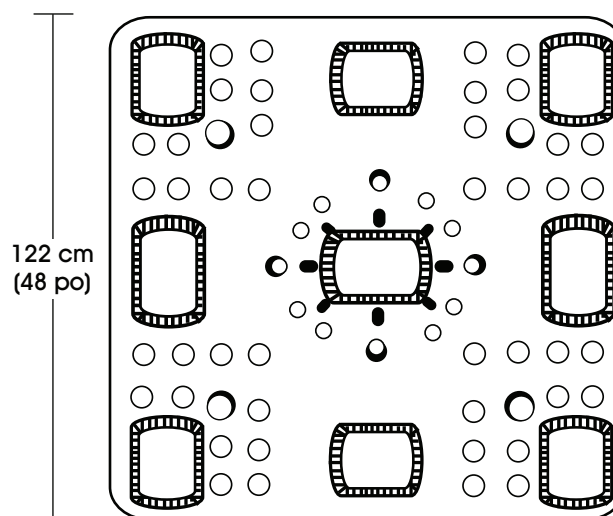
1-800-295-5510

uline.ca



DIMENSIONS DU PRODUIT

VUE DE DESSUS



VUE DE L'EXTRÉMITÉ

SPÉCIFICATIONS

| N° DE MODÈLE | DIMENSIONS | | HAUTEUR | | | QUANTITÉ PAR REMORQUE | | CAPACITÉ PONDÉRALE | | POIDS |
|--------------|----------------|----------------|-----------------|----------------|----------------|-----------------------|-----------------|---------------------|---------------------|---------------|
| | LONG. | LARG. | FOURCHE | TOTALE | EMBOÎTEMENT | 14.6 m (48 pi) | 16.15 m (53 pi) | PLANCHER | FOURCHE | |
| H-1126 | 122 cm (48 po) | 122 cm (48 po) | 10 cm (3,75 po) | 17 cm (6,5 po) | 6 cm (2,25 po) | 660 | 720 | 3 810 kg (8 400 lb) | 1 270 kg (2 800 lb) | 12 kg (27 lb) |