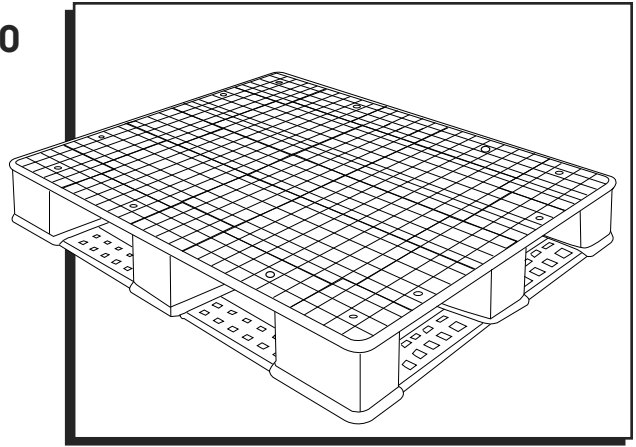


# ULINE H-1211, H-1212

## RACKABLE PLASTIC PALLET

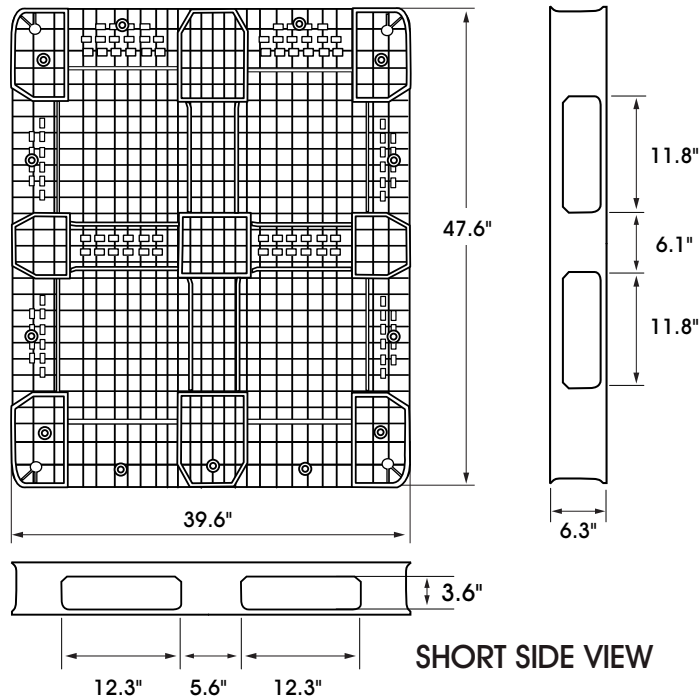
1-800-295-5510  
 uline.com



### PRODUCT DIMENSIONS

TOP VIEW

LONG SIDE VIEW



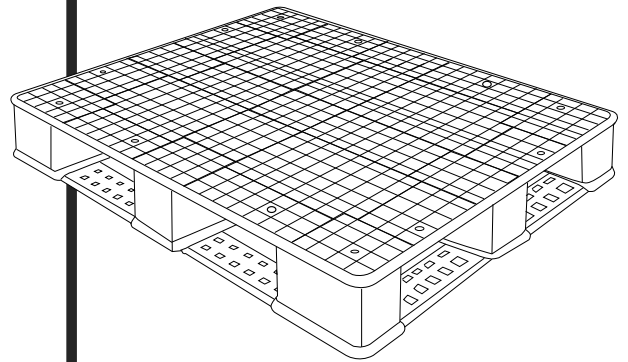
### SPECIFICATIONS

MODEL #	DIMENSIONS		HEIGHT			TRAILER QUANTITY		WEIGHT CAPACITY			WEIGHT
	L	W	FORK	OVERALL	NESTING	48'	53'	FLOOR	FORK	RACK	
H-1211 H-1212	47.6"	39.6"	3.6"	6.3"	N/A	448	480	30,000 lbs.	5,000 lbs.	2,000 LBS.	50 lbs.

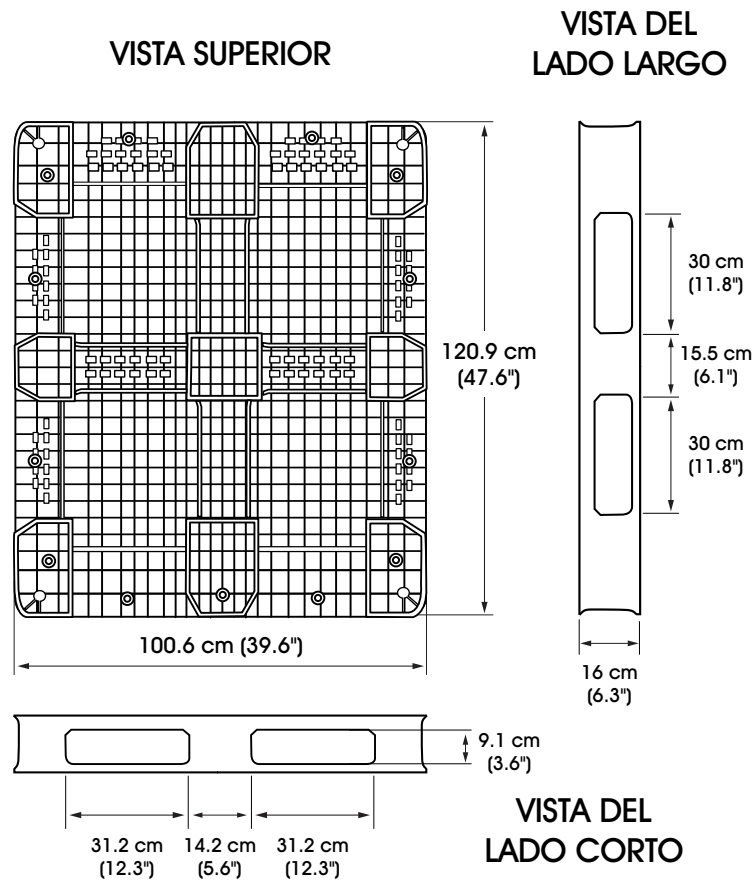
# ULINE H-1211, H-1212

## TARIMA DE PLÁSTICO PARA RACKS

01-800-295-5510  
uline.mx



### DIMENSIONES DEL PRODUCTO

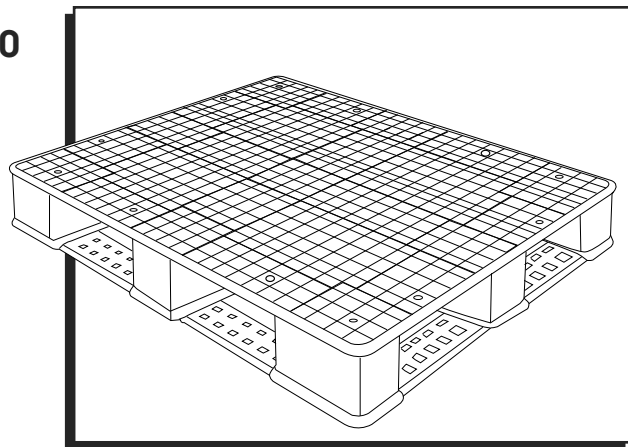


### ESPECIFICACIONES

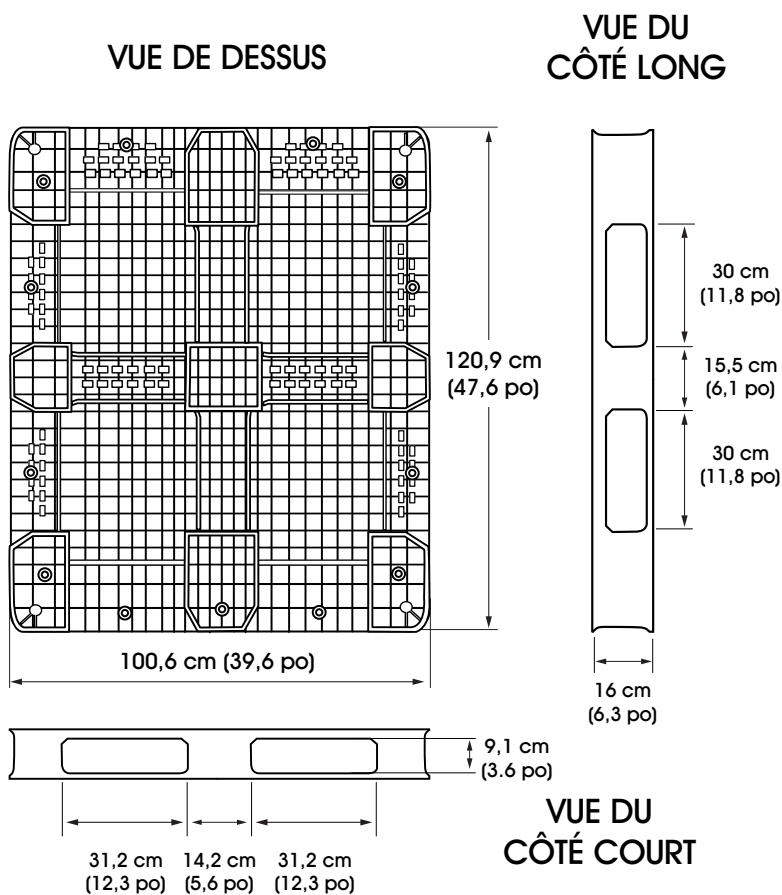
MODELO NO.	DIMENSIONES		ALTO			CANTIDAD EN TRÁILER		CAPACIDAD DE PESO			PESO
	LARGO	ANCHO	HORQUILLA	TOTAL	EMBOENABLE	14.6 m (48')	16.15 m (53')	PISO	HORQUILLA	RACK	
H-1211 H-1212	120.9 cm (47.6")	100.6 cm (39.6")	9.1 cm (3.6")	16 cm (6.3")	N/A	448	480	13,607 kg (30,000 lbs.)	2,268 kg (5,000 lbs.)	907 kg (2,000 lbs.)	22 kg (50 lbs.)

**ULINE** H-1211, H-1212  
**PALETTE EMPILABLE  
 EN PLASTIQUE**

1-800-295-5510  
 uline.ca



**DIMENSIONS DU PRODUIT**



**SPÉCIFICATIONS**

N° DE MODÈLE	DIMENSIONS		HAUTEUR			QUANTITÉ PAR REMORQUE		CAPACITÉ PONDÉRALE			POIDS
	LONG.	LARG.	FOURCHE	TOTALE	EMBOÎTEMENT	14,6 m (48 pi)	16,15 m (53 pi)	PLANCHER	FOURCHE	SUR ÉTAGÈRE	
H-1211 H-1212	120,9 cm (47,6 po)	100,6 cm (39,6 po)	9,1 cm (3,6 po)	16 cm (6,3 po)	N/A	448	480	13 607 kg (30 000 lb)	2 268 kg (5 000 lb)	907 kg (2 000 lb)	22 kg (50 lb)