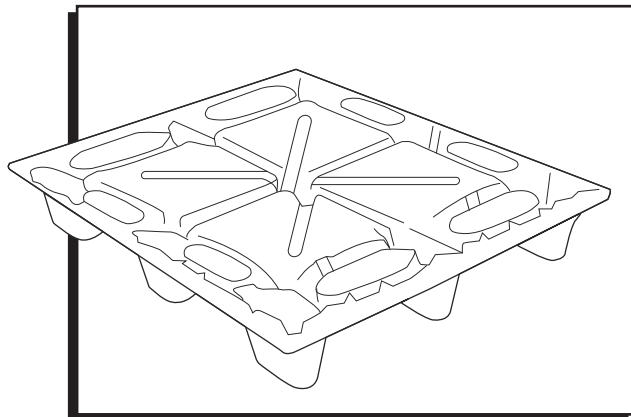
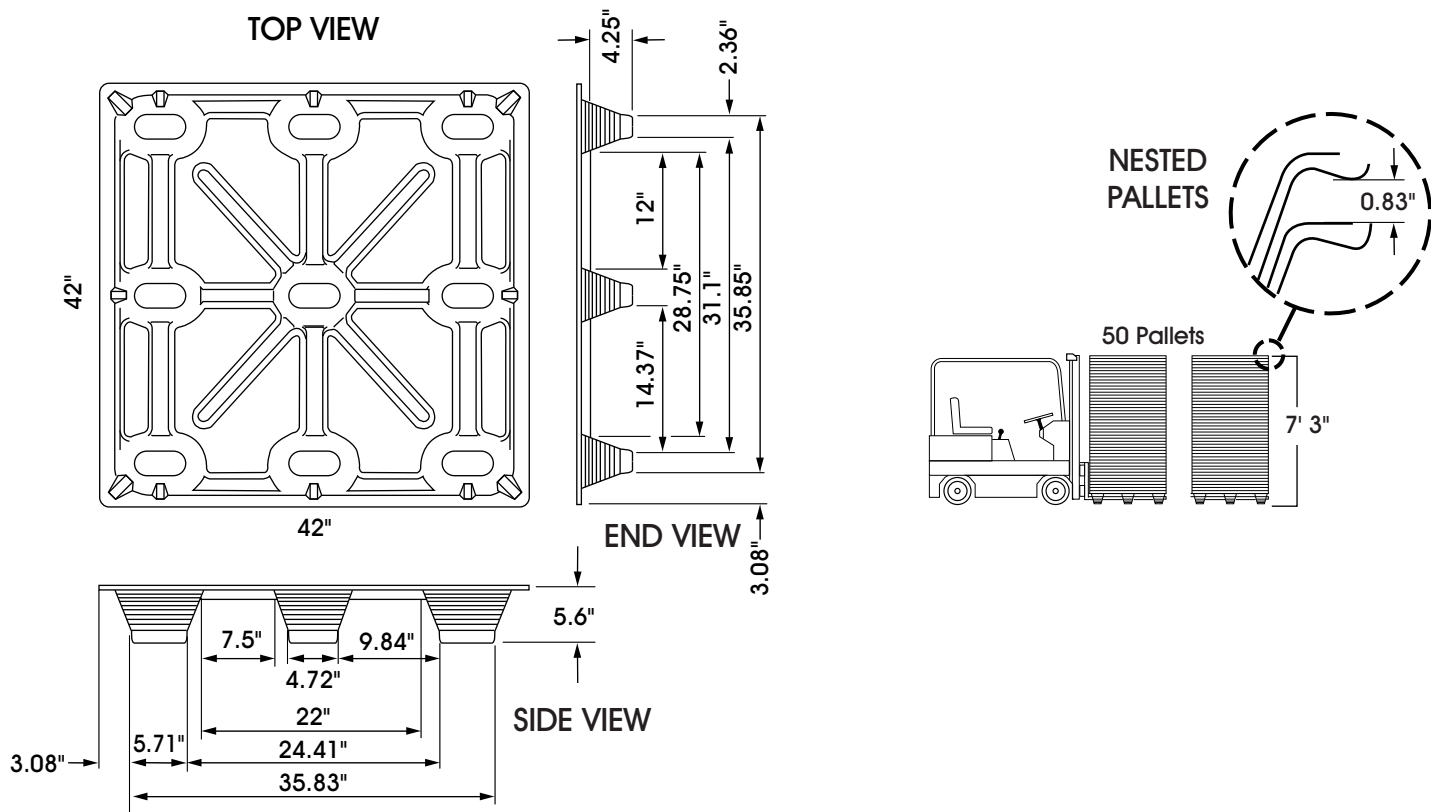


ULINE H-1219 PRESSED WOOD PALLET

1-800-295-5510
 uline.com



PRODUCT DIMENSIONS



SPECIFICATIONS

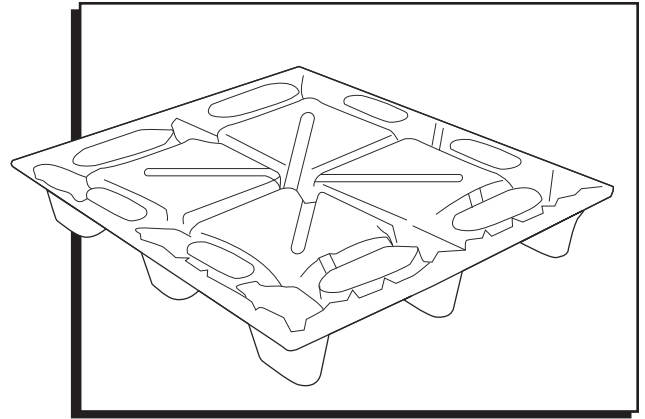
MODEL #	DIMENSIONS		HEIGHT			NESTED TRAILER		WEIGHT CAPACITY		WEIGHT
	L	W	FORK	OVERALL	NESTING	48'	53'	FLOOR	FORK	
H-1219	42"	42"	4.25"	5.6"	1.35"	1,180	1,280	15,000 lbs.	1,500 lbs.	34 lbs.

ULINE H-1219

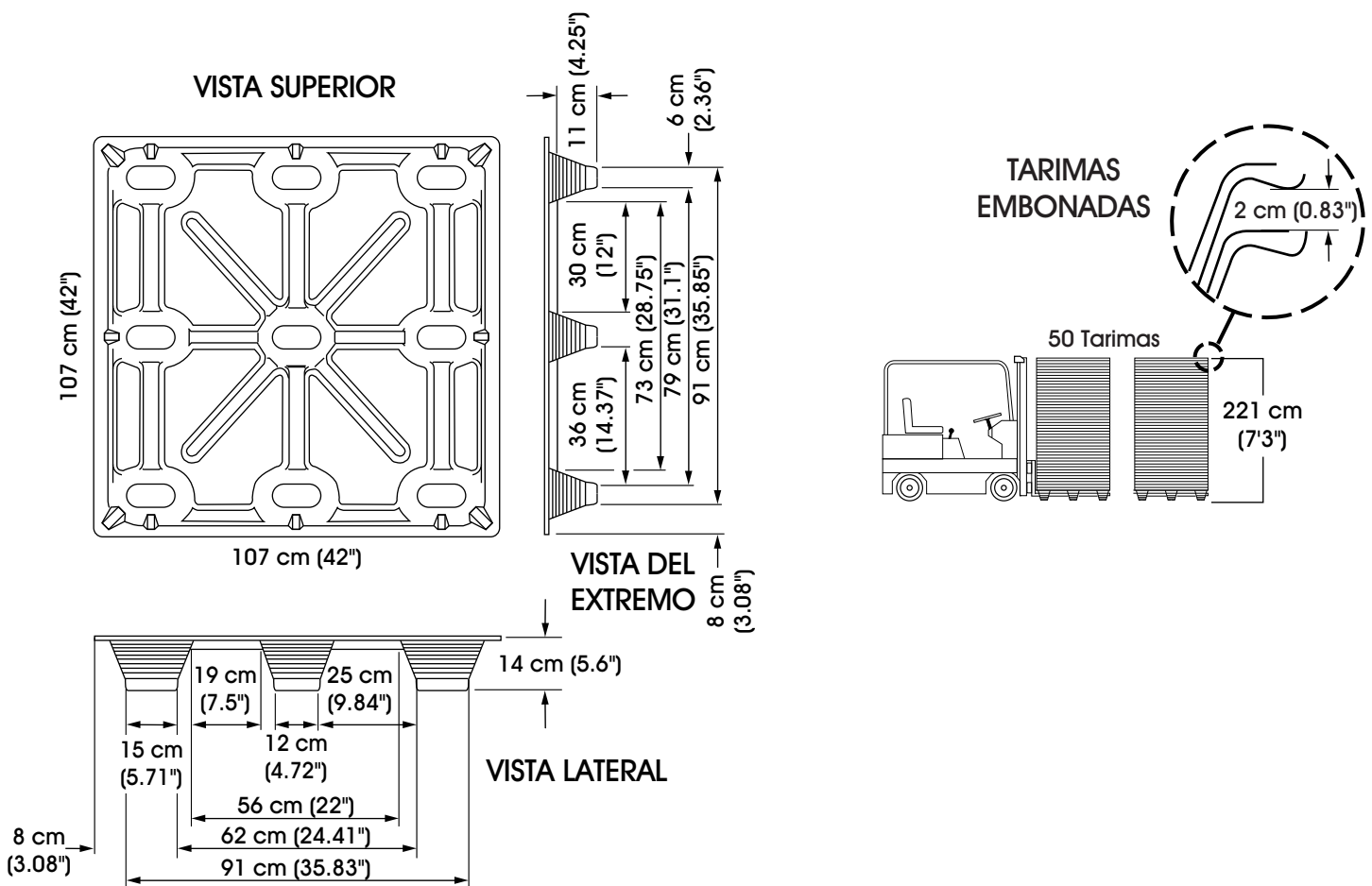
01-800-295-5510

uline.mx

**TARIMA DE
MADERA
PRENSADA**



DIMENSIONES DEL PRODUCTO

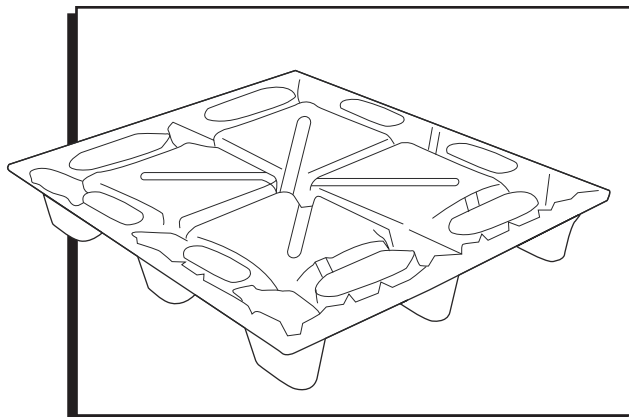


ESPECIFICACIONES

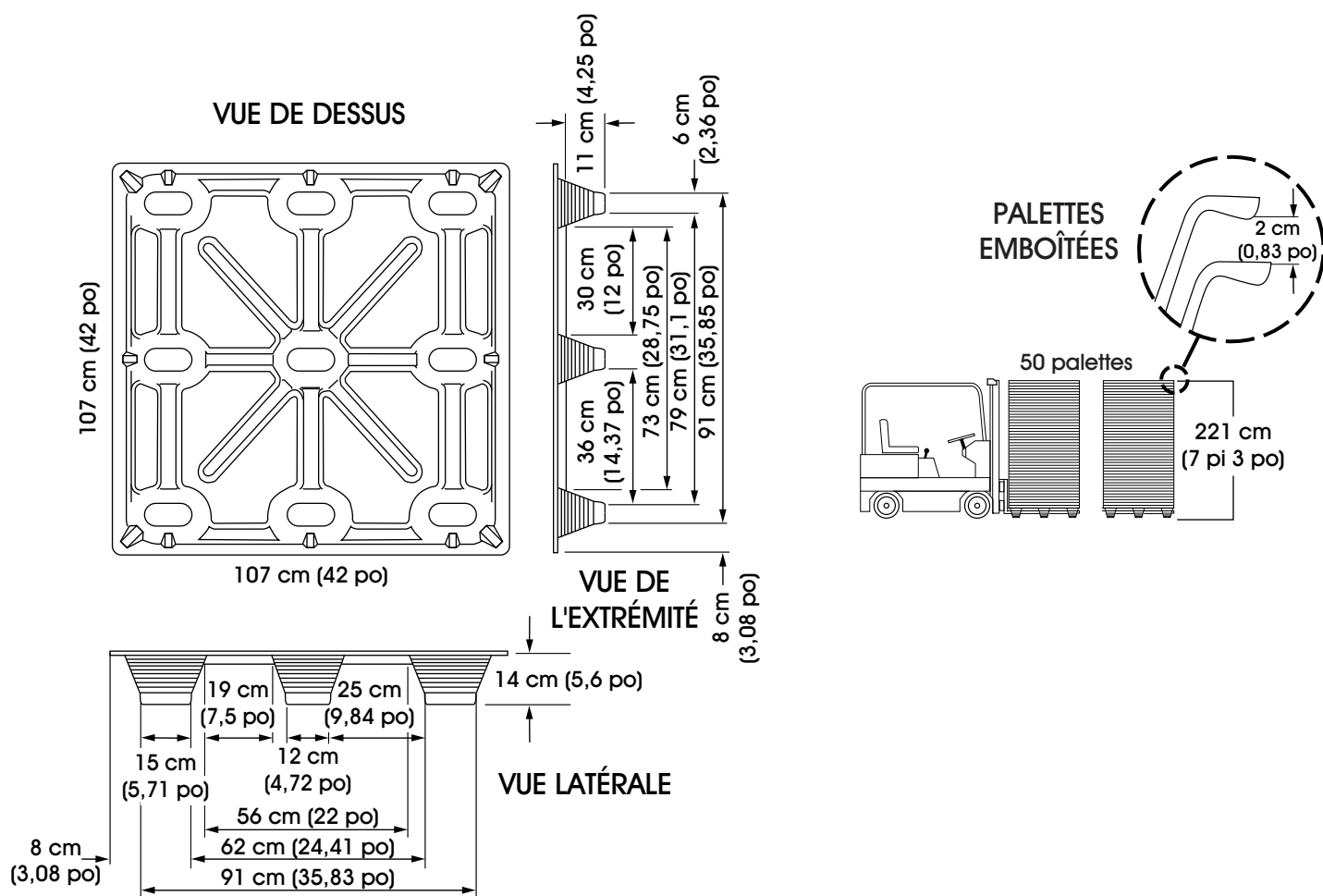
MODELO NO.	DIMENSIONES		ALTURA			EMBONADAS EN TRÁILER		CAPACIDAD DE PESO		PESO
	LARGO	ANCHO	HORQUILLA	TOTAL	EMBONABLE	14.6 m (48')	16.15 m (53')	PISO	HORQUILLA	
H-1219	107 cm (42")	107 cm (42")	11 cm (4.25")	14 cm (5.6")	3 cm (1.35")	1,180	1,280	6,803 kg (15,000 lbs.)	680 kg (1,500 lbs.)	15 kg (34 lbs.)

ULINE H-1219
PALETTE EN
BOIS PRESSÉ

1-800-295-5510
 uline.ca



DIMENSIONS DU PRODUIT



SPÉCIFICATIONS

N° DE MODÈLE	DIMENSIONS		HAUTEUR			REMORQUE EMBOÎTÉE		CAPACITÉ PONDÉRALE		POIDS
	LONG.	LARG.	FOURCHE	TOTALE	EMBOÎTEMENT	14,6 m (48 pi)	16,15 m (53 pi)	PLANCHER	FOURCHE	
H-1219	107 cm (42 po)	107 cm (42 po)	11 cm (4,25 po)	14 cm (5,6 po)	3 cm (1,35 po)	1 180	1 280	6 803 kg (15 000 lb)	680 kg (1 500 lb)	15 kg (34 lb)