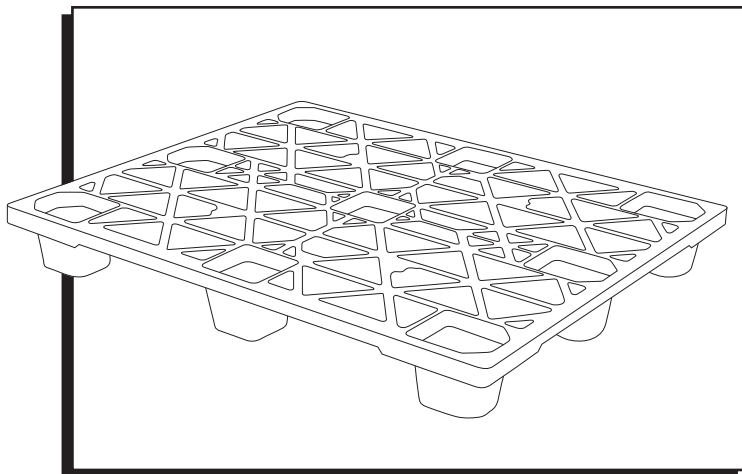


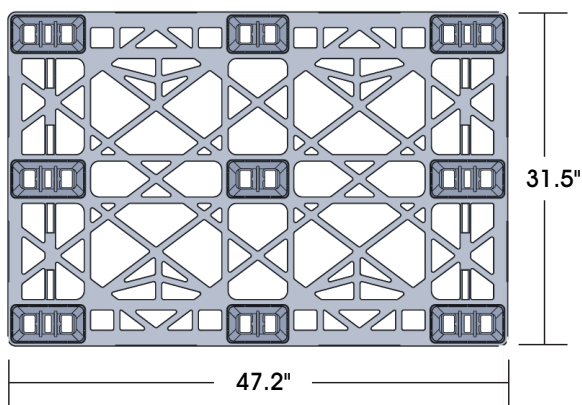
# ULINE H-1611 EXPORT PALLET

1-800-295-5510  
 uline.com

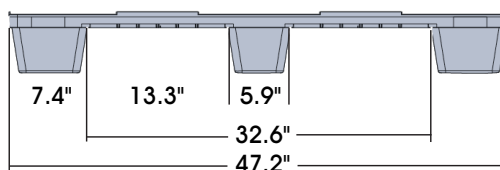


## PRODUCT DIMENSIONS

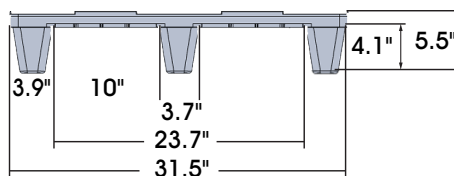
TOP VIEW



LONG SIDE VIEW



SHORT SIDE VIEW

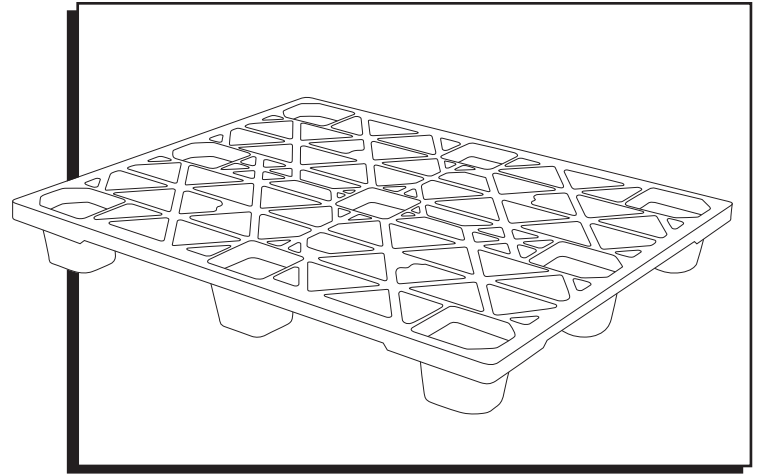


## SPECIFICATIONS

| MODEL # | DIMENSIONS |       | HEIGHT |         |         | NESTED TRAILER |       | WEIGHT CAPACITY |            | WEIGHT  |
|---------|------------|-------|--------|---------|---------|----------------|-------|-----------------|------------|---------|
|         | L          | W     | FORK   | OVERALL | NESTING | 48'            | 53'   | FLOOR           | FORK       |         |
| H-1611  | 47.2"      | 31.5" | 4.1"   | 5.5"    | 1.7"    | 1,600          | 1,800 | 5,000 lbs.      | 2,000 lbs. | 21 lbs. |

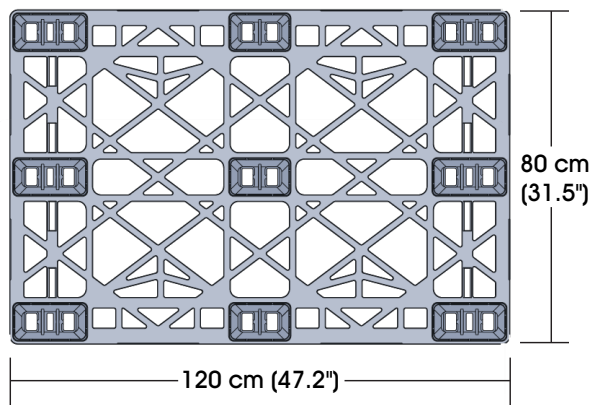
**ULINE H-1611**  
**TARIMAS PARA EXPORTACIÓN**

01-800-295-5510  
 uline.mx

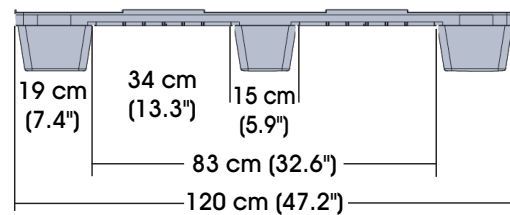


**DIMENSIONES DEL PRODUCTO**

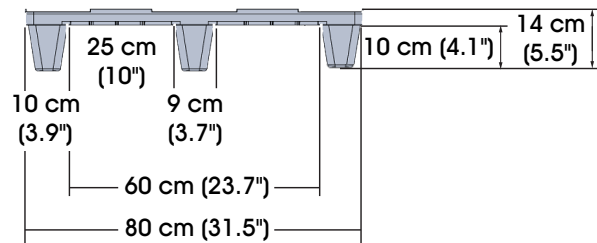
VISTA SUPERIOR



VISTA DEL LADO LARGO



VISTA DEL LADO CORTO

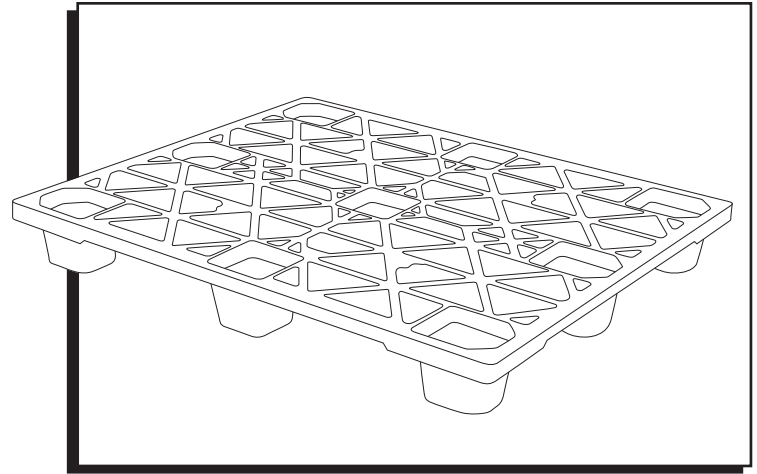


**ESPECIFICACIONES**

| MODELO NO. | DIMENSIONES    |               | ALTO         |              |             | EMBONADAS EN TRÁILER |               | CAPACIDAD DE PESO     |                     | PESO           |
|------------|----------------|---------------|--------------|--------------|-------------|----------------------|---------------|-----------------------|---------------------|----------------|
|            | LARGO          | ANCHO         | HORQUILLA    | GENERAL      | EMBONABLE   | 14.6 m (48')         | 16.15 m (53') | PISO                  | HORQUILLA           |                |
| H-1611     | 120 cm (47.2") | 80 cm (31.5") | 10 cm (4.1") | 14 cm (5.5") | 4 cm (1.7") | 1,600                | 1,800         | 2,267 kg (5,000 lbs.) | 907 kg (2,000 lbs.) | 9 kg (21 lbs.) |

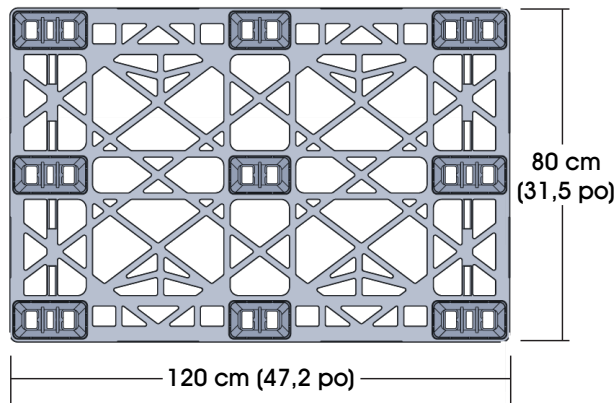
**ULINE H-1611**  
**PALETTE POUR**  
**EXPORTATION**

1-800-295-5510  
 uline.ca

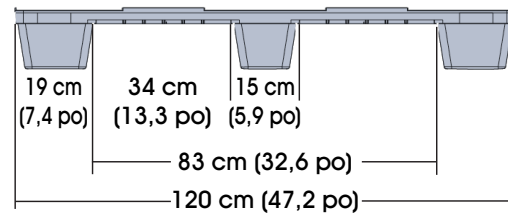


**DIMENSIONS DU PRODUIT**

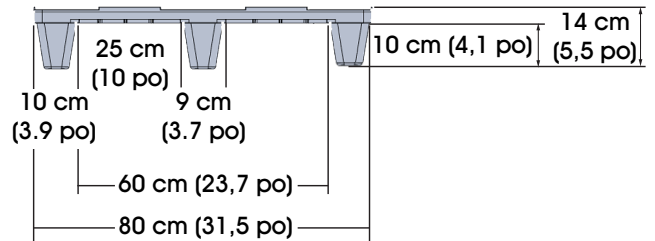
VUE DE DESSUS



VUE DU CÔTÉ LONG



VUE DU CÔTÉ COURT



**SPÉCIFICATIONS**

| N° DE MODÈLE | DIMENSIONS       |                 | HAUTEUR        |                |               | REMORQUE EMBOÎTÉE |                 | CAPACITÉ PONDÉRALE  |                   | POIDS        |
|--------------|------------------|-----------------|----------------|----------------|---------------|-------------------|-----------------|---------------------|-------------------|--------------|
|              | LONG.            | LARG.           | FOURCHE        | TOTALE         | EMBOÎTEMENT   | 14,6 m (48 pi)    | 16,15 m (53 pi) | PLANCHER            | FOURCHE           |              |
| H-1611       | 120 cm (47,2 po) | 80 cm (31,5 po) | 10 cm (4,1 po) | 14 cm (5,5 po) | 4 cm (1,7 po) | 1 600             | 1 800           | 2 267 kg (5 000 lb) | 907 kg (2 000 lb) | 9 kg (21 lb) |