

# INSTALLATION INSTRUCTIONS FOR SURFACE MOUNTED DRYER

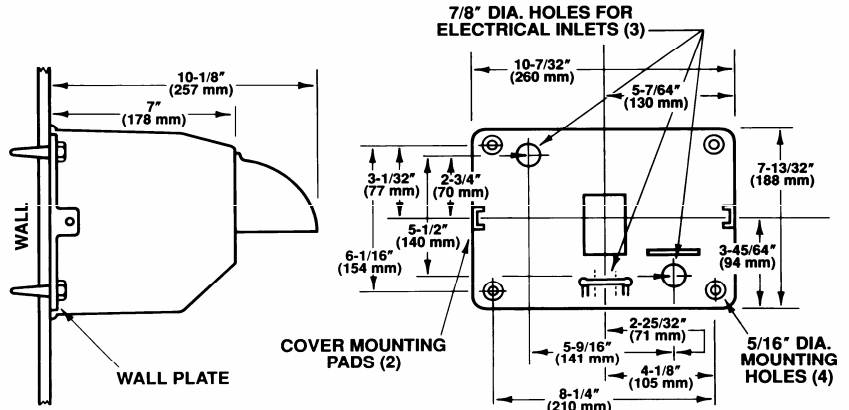
**FOR PROPER ELECTRICAL CONNECTIONS, CHECK YOUR LOCAL BUILDING CODES.  
YOUR UNIT MUST BE INSTALLED BY A QUALIFIED, LICENSED ELECTRICIAN.**

## Suggested Mtg. Heights from floor to bottom of dryer

	<u>HAND DRYER</u>	<u>HAIR DRYER</u>
Men's	40" (102 cm)	64" (163cm)
Ladies'	38" (97 cm)	58" (147 cm)
Teenagers'	36" (91 cm)	56" (142 cm)
Sm. Children	30" (76 cm)	43" (109 cm)
Handicapped	32" (81 cm)	45" (114 cm)

## Recommended Fastener

Masonry Wall	1/2" expansion sleeve with 1/4" lag bolt
Hollow Wall	1/4" wing type through bolt
Wooden Wall	1/4" lag screw with washer



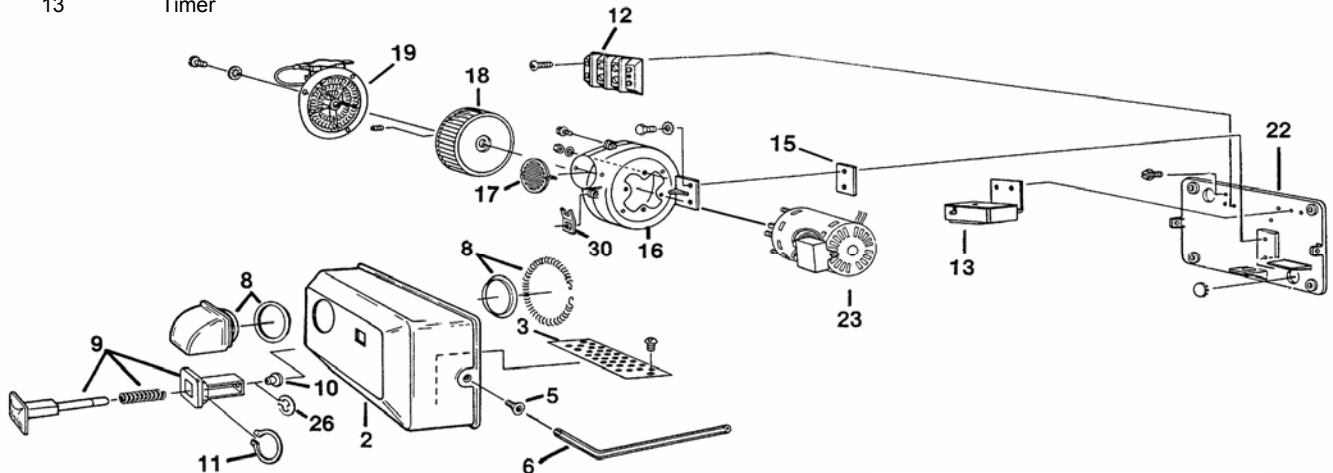
1. Remove cover by unscrewing two tamper-proof bolts from the sides of the dryer with special wrench provided with each unit.
2. Attach wall plate assembly to smooth wall using the recommended type of fastener (see above).
3. Connect a 110/120V dryer to no more than a 20 Amp dedicated branch circuit using at least a #12 GA copper wire. Connect a 208/230V, 240V or 277V dryer to no more than a 15 Amp. dedicated branch circuit using at least a #14 GA copper wire. For runs over 50 feet or for multiple installations, increase the size of the wire used. Attach lines to terminals as indicated by the schematic inside dryer cover. Be sure that an equipment ground wire is securely fastened to the wall plate. Dryers should be installed as local codes require.
4. Before replacing cover, check the Serial Number marked inside the dryer to be sure it matches the Serial Number under the cover.  
**PLEASE DO NOT SWITCH COVERS. Do not forget to leave the special TAMPER PROOF WRENCH with the owner.**

**NOTE:** Upon completing installation and checking for proper operation, it is **highly** recommended that a bead of **silicone sealant** be placed around the outside of the cover at the wall to protect dryer from internal corrosion caused by wash water and cleaning solutions

## PARTS LIST FOR SURFACE-MOUNTED DRYER

*Model, Serial Number and Voltage of dryer must be provided when ordering parts*

<u>REF NO.</u>	<u>DESCRIPTION</u>	<u>REF NO.</u>	<u>DESCRIPTION</u>
2	Cover - White or Chrome	15	Blower Housing Mounting Pad
3	Inlet Screen	16	Blower Housing
5	Tamper-proof Bolt	17	Blower Screen
6	Tamper-proof Wrench	18	Blower Wheel
8	Nozzle (with Spring & Washer)	19	Heating Element Assembly
9	Push Button Assembly (incl. #10, #11, #26)	22	Wall Plate
10	Push Button Tip	23	Motor
11	Push Button Snap Ring	26	Push Button E-ring
12	Terminal Block	30	Nozzle Fixer
13	Timer		



**DISCONNECT ELECTRICAL SUPPLY TO DRYER PRIOR TO CLEANING OR SERVICING**  
**CLEANING INSTRUCTIONS**

**OUTSIDE**

Gently wash Cover (including Inlet Screen) using a soft cloth or sponge and a mild soap or detergent with lukewarm water to loosen dirt and grime. DO NOT USE ABRASIVE OR HIGHLY ALKALINE CLEANERS. NEVER SCRAPE WITH RAZOR BLADE OR OTHER SHARP INSTRUMENT. BENEZENE, LEADED GASOLINE, ACETONE OR CARBON TETRACHLORIDE SHOULD NEVER BE USED.

**INSIDE**

With normal use, dryer will require cleaning once a year. **Heavier usage requires more frequent cleaning.** Lint on the Inlet Screen, fan or other internal parts of dryer will reduce efficiency and shorten the life of the working parts. To clean, remove cover by unscrewing the tamper-proof bolts from cover with the special wrench provided with each dryer. Use a small, soft brush to gently clean all parts. Don't forget to inspect for missing or broken Blower Screen (Ref. #17)

**TROUBLESHOOTING YOUR DRYER**

**As with any electrical appliance, repairs to be performed by qualified service personnel**

***If your dryer does not shut off***

Check for loose, disconnected or improper wiring at dryer timer.  
If OK, replace dryer timer.

***If your dryer does not turn on***

First, verify that the dryer circuit breaker is on.  
Then check voltage to dryer terminal block.  
Check for loose wires on dryer timer or broken push button tip.  
Check to see if push button assembly is sticking.  
If OK, replace dryer timer.

***If your dryer does not always turn on***

Check for loose wires on dryer timer or broken push button tip.  
If OK, replace dryer timer.

***If your dryer heats up but no air comes out***

Check to see if your blower wheel is jammed.  
Check to see if motor is hot. If hot, let cool for 10 minutes to reset motor's internal circuit breaker.  
If cool, replace motor.

***If your dryer blows only cold air***

Check for loose wires on heating element.  
If OK, replace heating element.