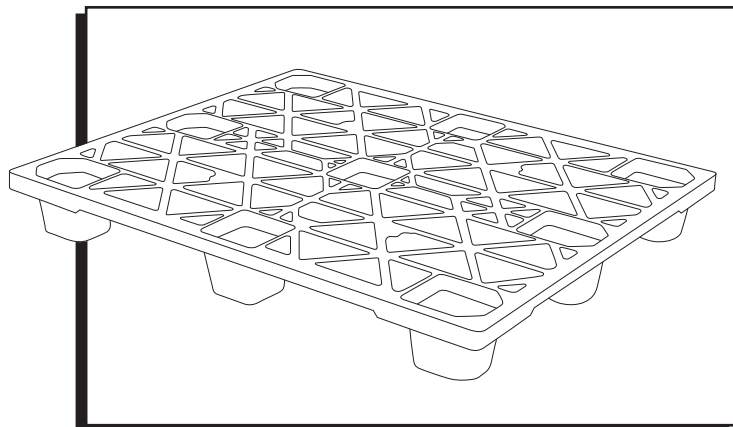


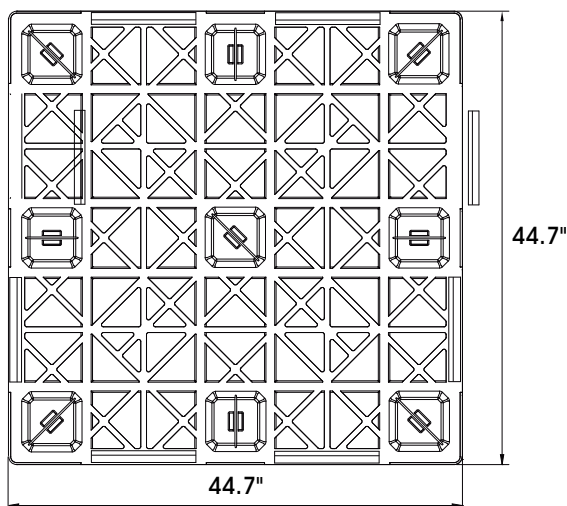
ULINE H-3017
EXPORT PALLET

1-800-295-5510
 uline.com

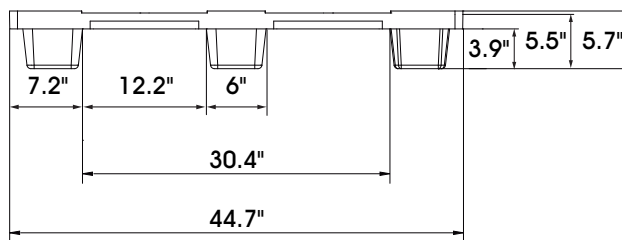


PRODUCT DIMENSIONS

TOP VIEW



SIDE VIEW

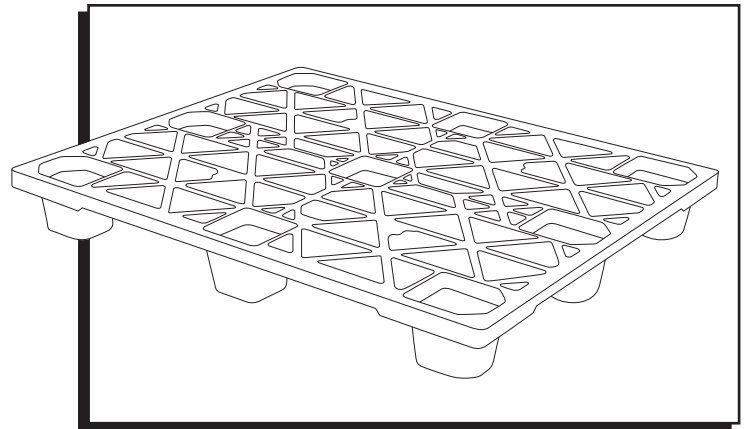


SPECIFICATIONS CHART

| MODEL # | DIMENSIONS | | HEIGHT | | | NESTED TRAILER | | WEIGHT CAPACITY | | WEIGHT |
|---------|------------|-------|--------|---------|---------|----------------|-------|-----------------|------------|---------|
| | L | W | FORK | OVERALL | NESTING | 48' | 53' | FLOOR | FORK | |
| H-3017 | 44.7" | 44.7" | 3.9" | 5.7" | 1.9" | 1,080 | 1,260 | 5,000 lbs. | 2,000 lbs. | 23 lbs. |

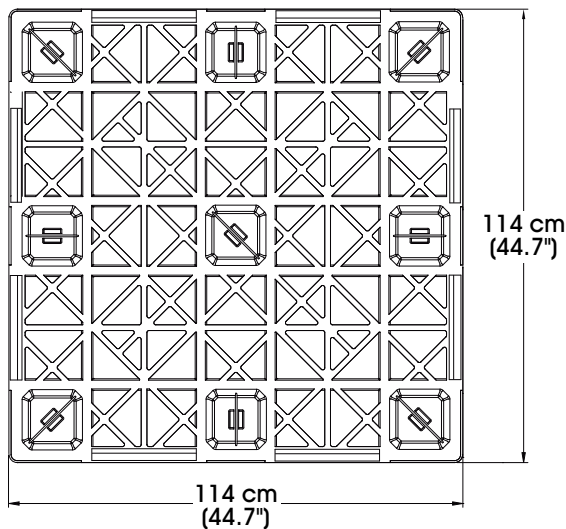
ULINE H-3017
TARIMAS PARA EXPORTACIÓN

01-800-295-5510
 uline.mx

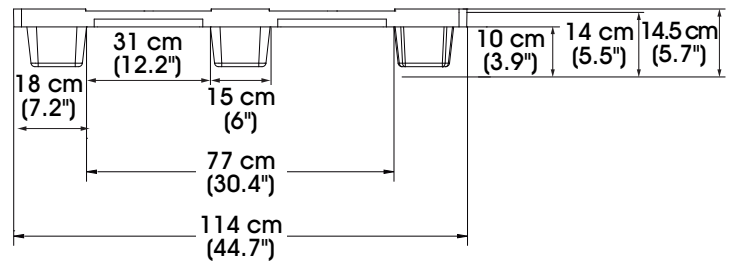


DIMENSIONES DEL PRODUCTO

VISTA SUPERIOR



VISTA DEL LADO

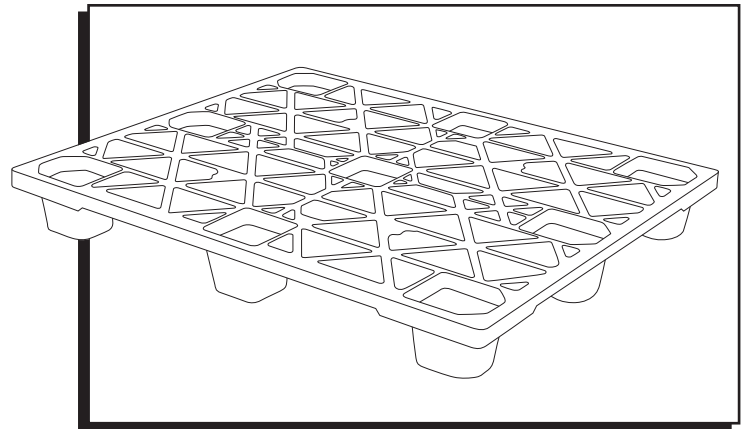


ESPECIFICACIONES

| MODELO NO. | DIMENSIONES | | ALTO | | | EMBONADAS EN TRÁILER | | CAPACIDAD DE PESO | | PESO |
|------------|----------------|----------------|--------------|----------------|-------------|----------------------|---------------|-----------------------|---------------------|-----------------|
| | LARGO | ANCHO | HORQUILLA | GENERAL | EMBONABLE | 14.6 m (48') | 16.15 m (53') | PISO | HORQUILLA | |
| H-3017 | 114 cm (44.7") | 114 cm (44.7") | 10 cm (3.9") | 14.5 cm (5.7") | 5 cm (1.9") | 1,080 | 1,260 | 2,267 kg (5,000 lbs.) | 907 kg (2,000 lbs.) | 10 kg (23 lbs.) |

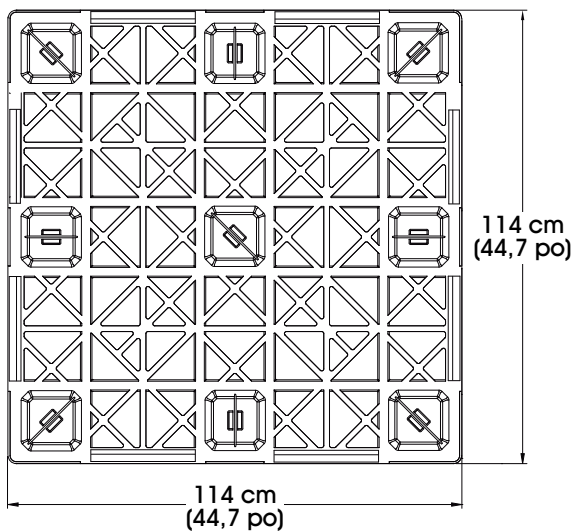
ULINE H-3017
PALETTE POUR
EXPORTATION

1-800-295-5510
 uline.ca

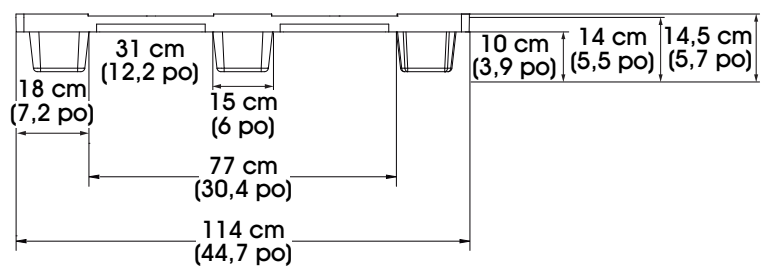


DIMENSIONS DU PRODUIT

VUE DE DESSUS



VUE DU CÔTÉ



SPÉCIFICATIONS

| N° DE MODÈLE | DIMENSIONS | | HAUTEUR | | | REMORQUE EMBOÎTÉE | | CAPACITÉ PONDÉRALE | | POIDS |
|--------------|------------------|------------------|----------------|------------------|---------------|-------------------|-----------------|---------------------|-------------------|---------------|
| | LONG. | LARG. | FOURCHE | TOTALE | EMBOÎTEMENT | 14,6 m (48 pi) | 16,15 m (53 pi) | PLANCHER | FOURCHE | |
| H-3017 | 114 cm (44,7 po) | 114 cm (44,7 po) | 10 cm (3,9 po) | 14,5 cm (5,7 po) | 5 cm (1,9 po) | 1 080 | 1 260 | 2 267 kg (5 000 lb) | 907 kg (2 000 lb) | 10 kg (23 lb) |