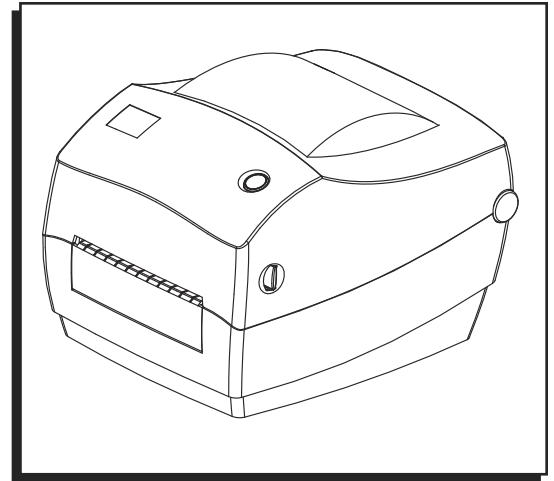


**ULINE** H-7246

# ZEBRA DESKTOP DUAL BARCODE PRINTER

ZEBRA MODEL NO. GC420T

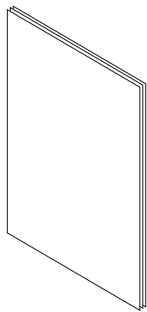
1-800-295-5510  
uline.com



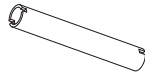
## PARTS



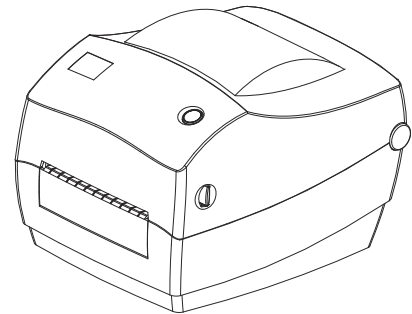
**NOTE:** Save the carton and all packing materials for storage or in case the printer needs to be returned to the manufacturer.



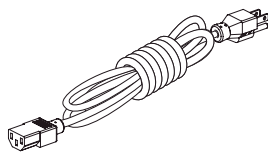
Documentation



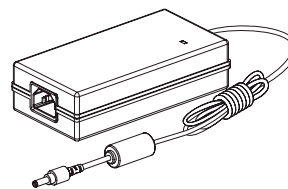
Ribbon Core



Printer



Power Cord (Varies by Region)



Power Supply

## SETUP

### UNPACK AND INSPECT THE PRINTER

When printer is received, immediately unpack it and inspect for shipping damage.

If shipping damage is discovered upon inspection:


- Contact Uline Customer Service at 1-800-295-5510.
- Keep all packaging material for possible return.

# ASSEMBLY

## GETTING STARTED (SEE FIGURE 1)

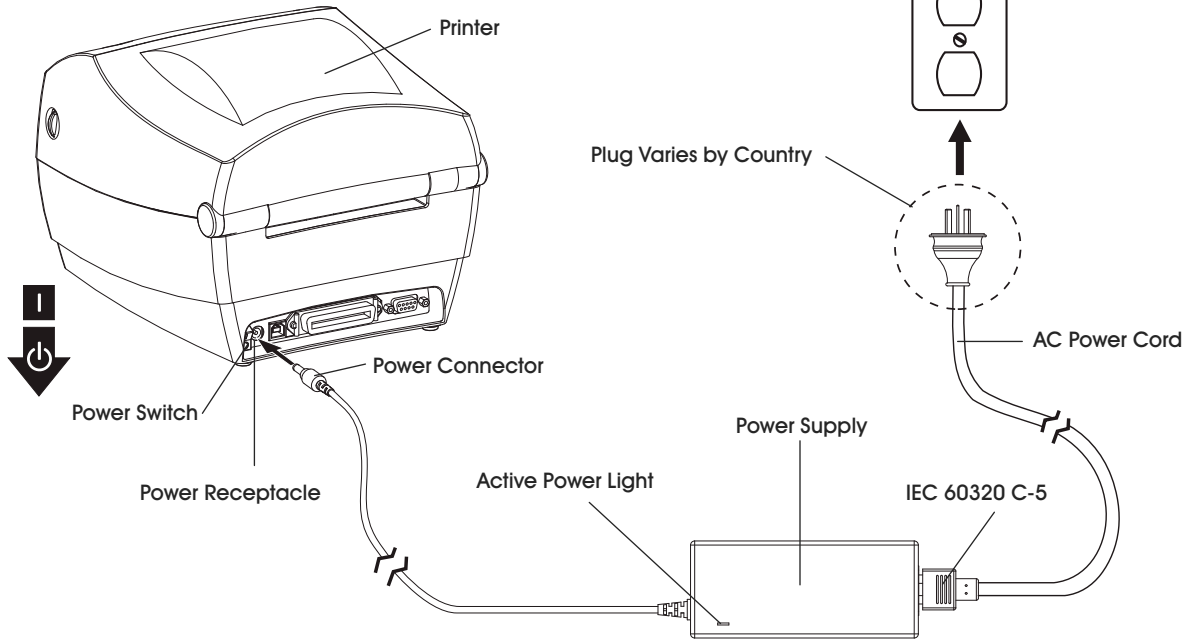
1. Make sure the power switch is in the OFF position (down).
2. Insert the AC power cord into the power supply.
3. Plug the other end of the cord into an appropriate AC electrical outlet.

 **NOTE:** The active power light will go on if power is on at the AC outlet.

 **NOTE:** Ensure the appropriate power cord with a three (3) prong plug and an IEC 60320-C5 connector are used at all times. These power cords must bear the relevant certification mark of the country in which the product is being used.

4. Insert the power supply's power connector into the printer's power receptacle.

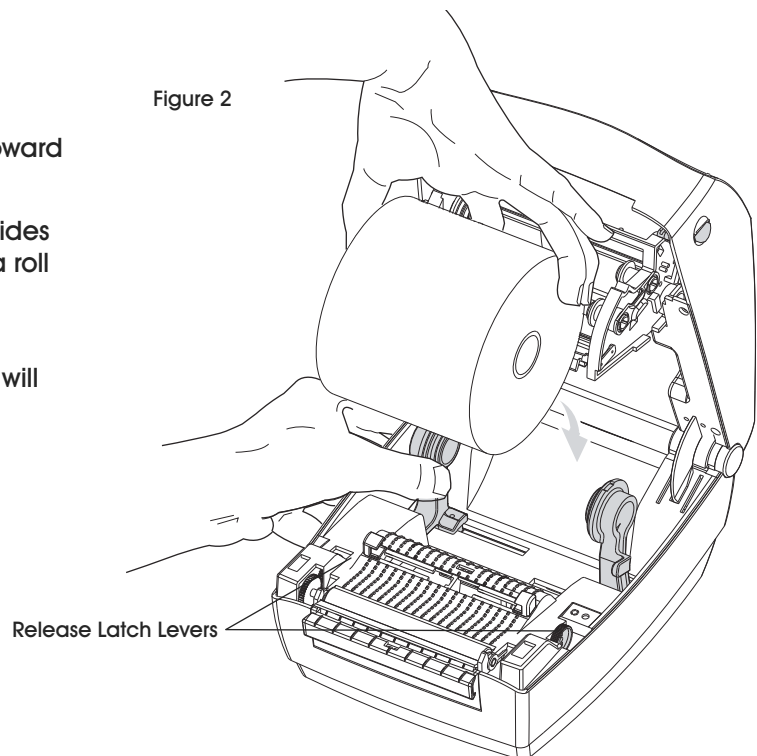
Figure 1



## LOADING THE PRINTER

1. Open the printer. Pull the release latch levers toward the front of the printer.
2. Open the media roll holders. Pull the media guides open with your free hand and place the media roll on the roll holders and release the guides. (See Figure 2)
3. Orient the media roll so that its printing surface will face up as it passes over the platen roller.

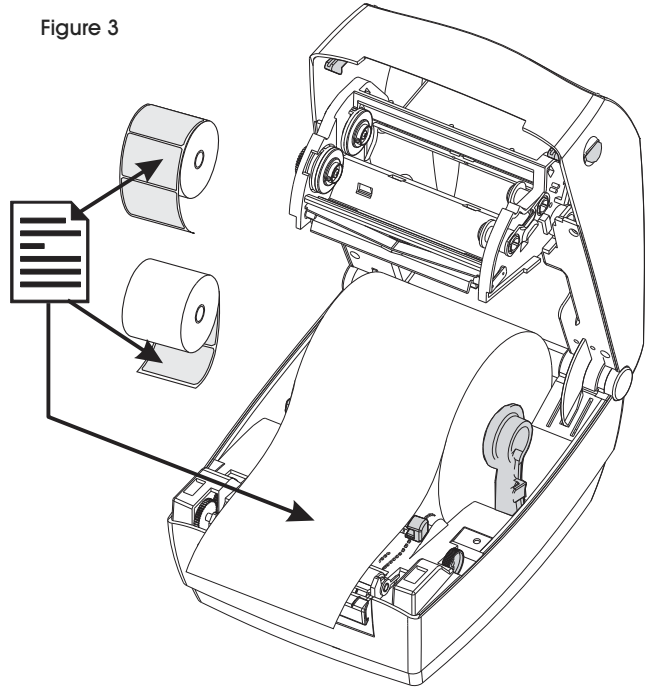
Figure 2



## ASSEMBLY CONTINUED

4. Pull the media so that it extends out of the front of the printer. Verify the roll turns freely. The roll must not sit in the bottom of the media compartment. (See Figure 3)
5. Verify the media's printing surface is facing up. (See Figure 3)

Figure 3



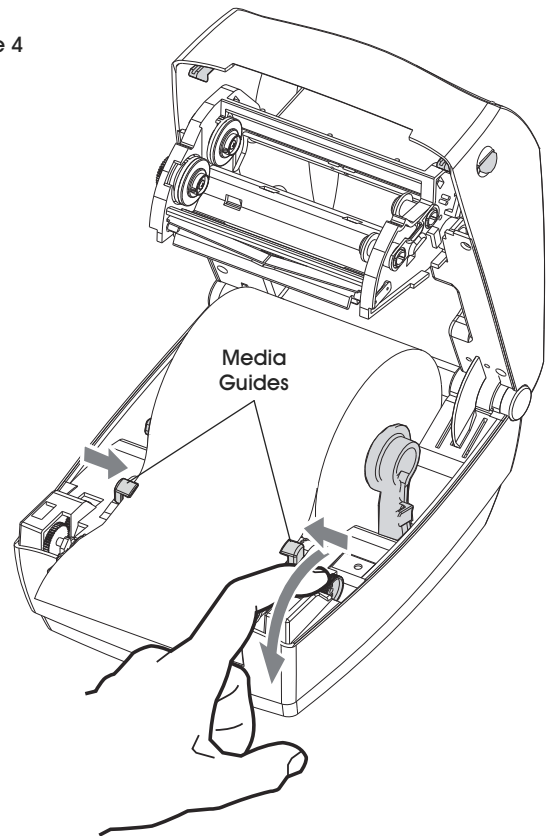
6. Push the media under both of the media guides. Close the media guides by turning the media guide adjustment knob to the front. (See Figure 4)



**NOTE:** The guides should just touch, but not restrict, the edges of the media.

7. Close the top cover. Release the cover lock, lower the top cover and press down until the latches snap into place.

Figure 4

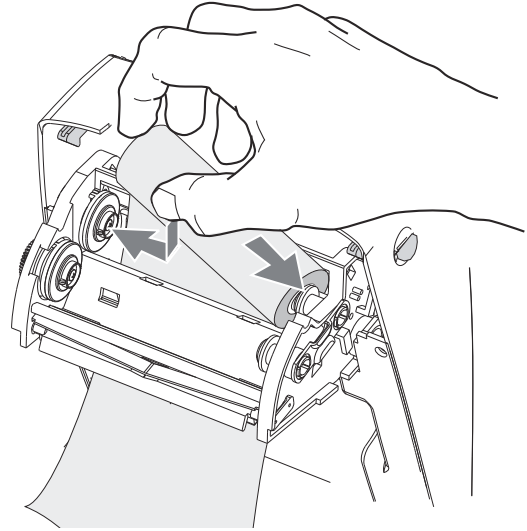


## ASSEMBLY CONTINUED

### LOADING RIBBON

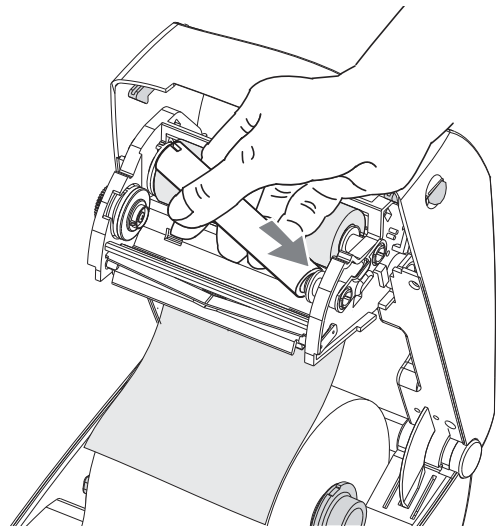
1. With the printer open, thread the ribbon through the ribbon carriage. (See Figure 5)
2. Rotate the roll until the notches align and lock into the left side of the supply hub. (See Figure 5)

Figure 5



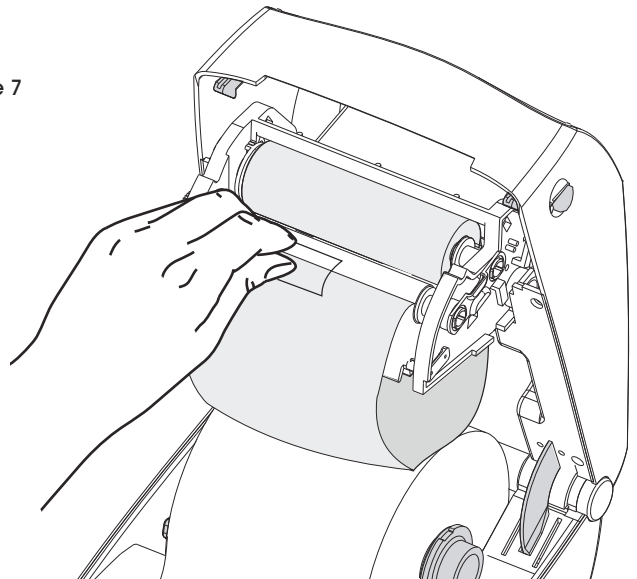
3. Place an empty ribbon core on printer's take-up spindles. Rotate the ribbon core until the notches align and lock into the left side of the take-up hub. (See Figure 6)
4. You can find your first ribbon core in the packaging box. Subsequently, use the empty supply core to take up the next roll of ribbon.

Figure 6



5. Pull the transfer ribbon's leader off the roll and attach it with the adhesive strip on the leader to the empty ribbon core on the take-up spindle. (See Figure 7)
6. Center the ribbon on the ribbon core. (See Figure 7)

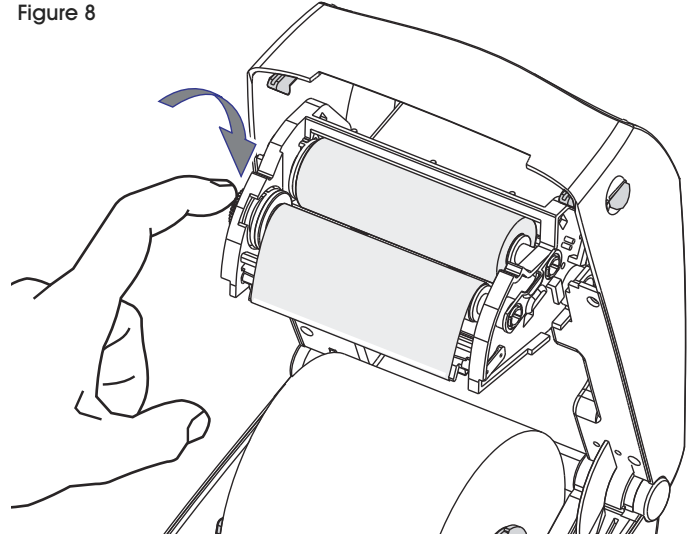
Figure 7



## ASSEMBLY CONTINUED

7. Turn the ribbon take-up gear counter-clockwise (top moves toward rear) to remove slack from the ribbon. (See Figure 8)
8. Verify that the media is loaded and ready to print and then close the printer cover. Remember that you need to release the cover lock, lower the top cover, and press down until the latches snap into place.
9. Press the feed button to have the printer feed a minimum of four inches of media to remove slack and ribbon wrinkle, and to align the ribbon on the spindles.
10. Change the print mode setting from direct thermal printing to thermal transfer to set the printer's temperature profiles for thermal transfer media. This can be done with the printer driver, application software or printer programming commands. Your printer is now ready to print.

Figure 8



## PRINTING

### PRINTER CONFIGURATION LABEL

1. Before connecting the printer to computer, make sure the printer is in proper working order. This can be done by printing a configuration status label.
2. Make sure the media is properly loaded and the top cover of the printer is closed.
3. Press the Feed button two to three times to allow the printer to calibrate the printer for the installed media. The printer may feed several labels during this process.
4. When the status light is solid green, press and hold the Feed button until the status light flashes once.
5. Release the Feed button. A configuration label will print. (See Figure 9)

Figure 9

PRINTER CONFIGURATION	
Zebra Technologies ZTC GC420:	
10.0	DARKNESS
4 IPS	PRINT SPEED
+000	TEAR OFF
TEAR OFF	PRINT MODE
GAP/NOTCH	MEDIA TYPE
WFB	SENSOR TYPE
AUTO	SENSOR SELECT
DIRECT-THERMAL	PRINT METHOD
832	PRINT WIDTH
1248	LABEL LENGTH
39.0IN 989MM	MAXIMUM LENGTH
CONNECTED	USB COMM.
BIDIRECTIONAL	PARALLEL COMM.
8600	BAUD
8 BITS	DATA BITS
NONE	PARITY
DTR & XON/XOFF	HOST HANDSHAKE
NONE	PROTOCOL
<> 7EH	CONTROL CHAR
<> 8EH	COMMAND CHAR
<> CH	DELIM. CHAR
ZPL 15	PR. MODE
NO MOTION	MEDIA POWER UP
FEED	HEAD CLOSE
DEFAULT	BACKFEED
+000	LABEL TOP
+0000	LEFT POSITION
NO	HEMDUMP
C46	WEB S.
C96	MEDIA S.
C32	WEB GAIN
C50	MARK S.
C00	MARK GAIN
C96	MARK MED S.
C00	MARK MEDIA GAIN
C86	CONT MEDIA S.
C07	CONT MEDIA GAIN
075	RIBBON OUT
C40	RIBBON GAIN
C96	TAKE LABEL
C4E	MODES ENABLED
	MODES DISABLED
832 8MM FULL	RESOLUTION
V71.17.112P12A <	FIRMWARE
1.3	XML SCHEMA
V27.00.01	HARDWARE ID
CUSTOMIZED	CONFIGURATION
B104k	R: RAM
5832k	E: ONBOARD FLASH
NONE	FORMAT CONVERT
DISABLED	ZBI
ZBI	ZBI VERSION
10.665 IN	LAST CLEANED
10.665 IN	HEAD USAGE
10.665 IN	TOTAL USAGE
10.665 IN	RESET CNTN1
10.665 IN	RESET CNTN2
	SERIAL NUMBER
PAINT. OFF	EARLY WARNING
2010-09-22 08:24:57	TIME STAMP
FIRMWARE IN THIS PRINTER IS COPYRIGHTED	