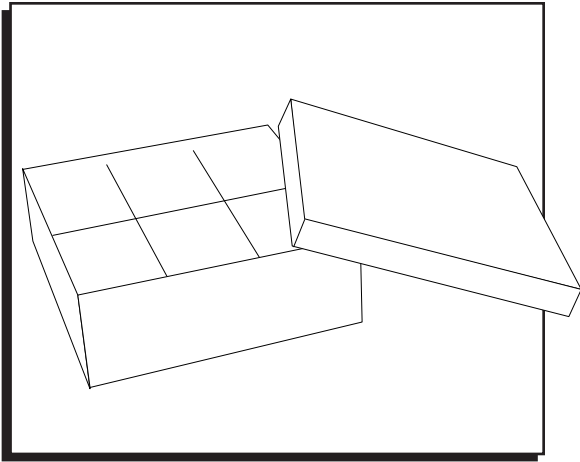


ULINE S-15024
DVD/CD STORAGE BOX

1-800-295-5510
uline.com



LID ASSEMBLY

Figure 1

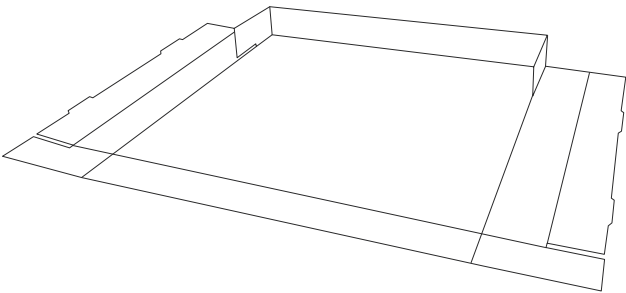


Figure 2

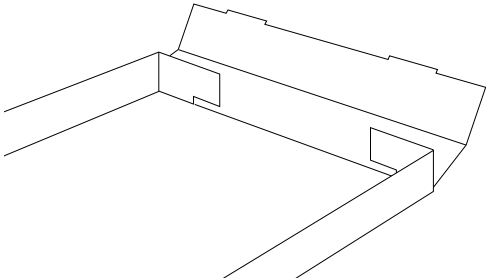
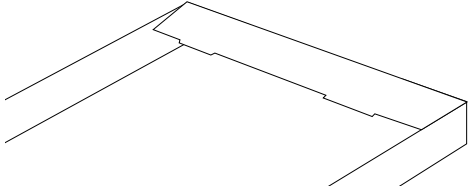


Figure 3



DIVIDERS ASSEMBLY

Figure 1

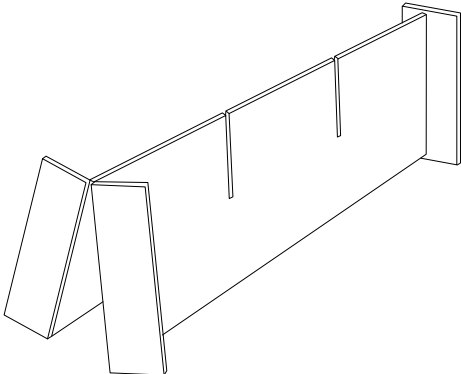
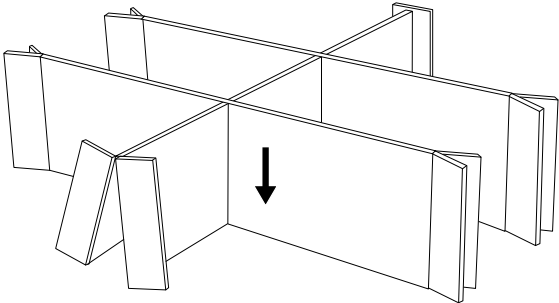


Figure 2



BOX ASSEMBLY

Figure 1

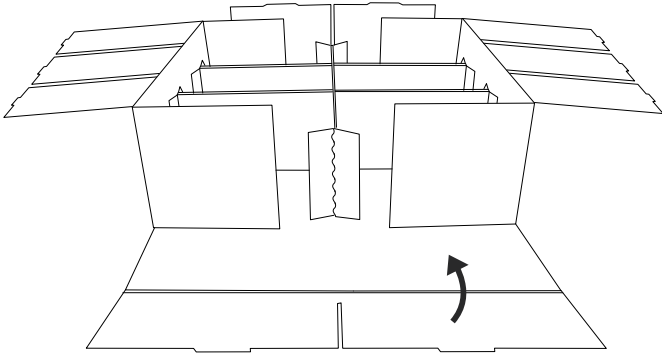


Figure 2

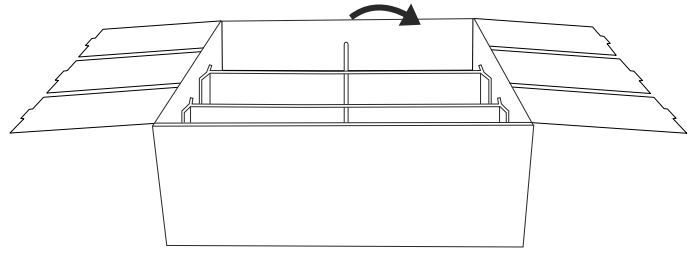


Figure 3

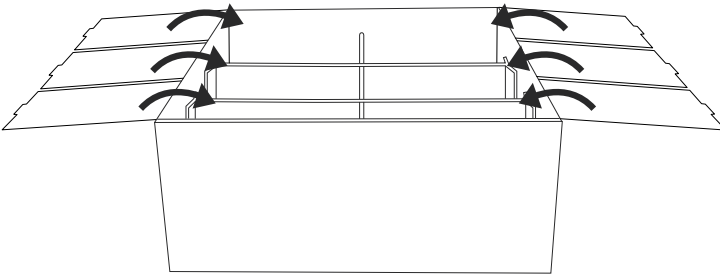


Figure 4

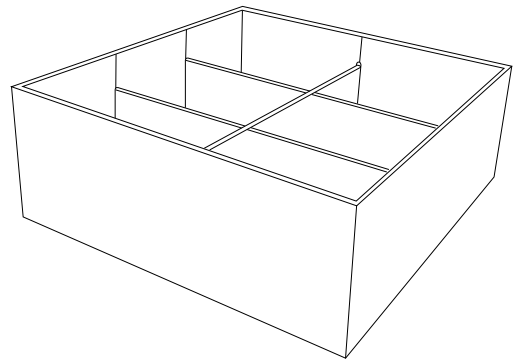
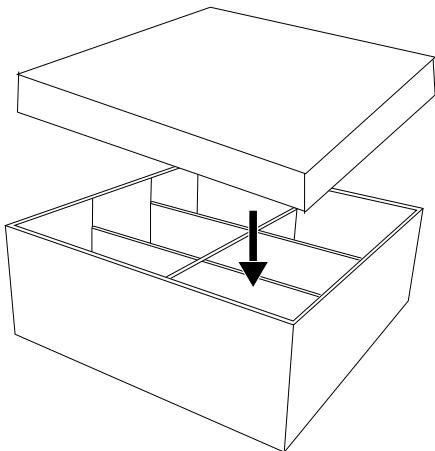


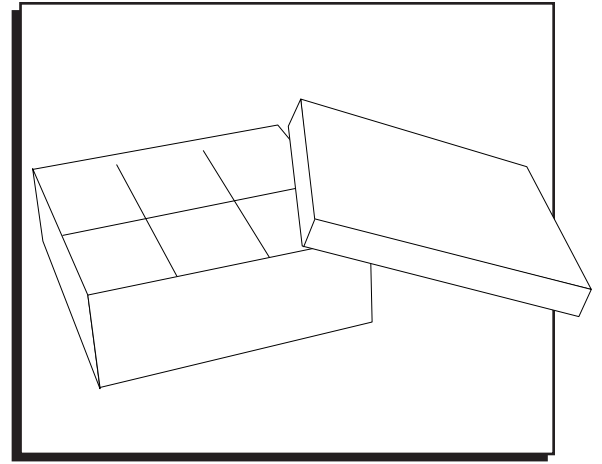
Figure 5



ULINE S-15024

**CAJA DE
ALMACENAMIENTO
PARA DVD/CD**

01-800-295-5510
uline.mx



ENSAMBLE DE LA TAPA

Diagrama 1

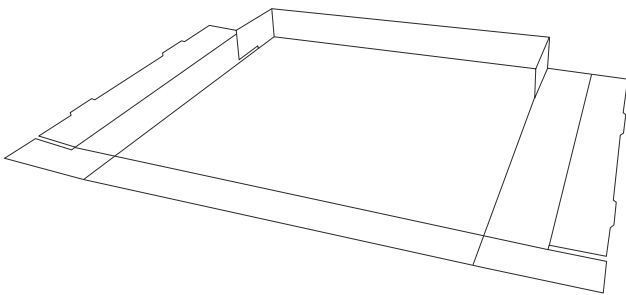


Diagrama 2

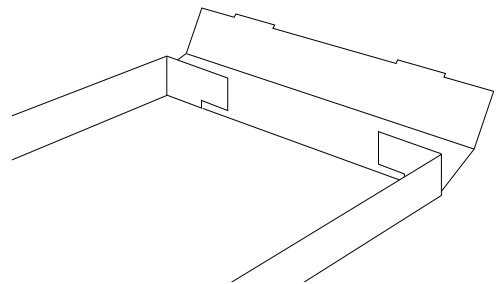
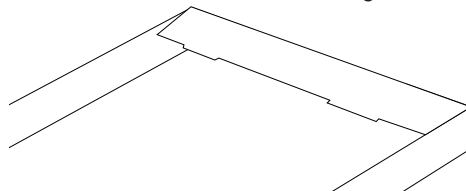


Diagrama 3



ENSAMBLE DE COMPARTIMENTOS

Diagrama 1

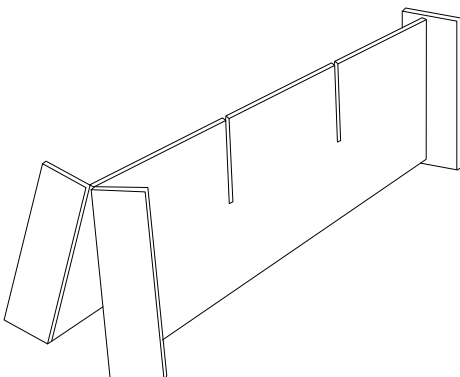
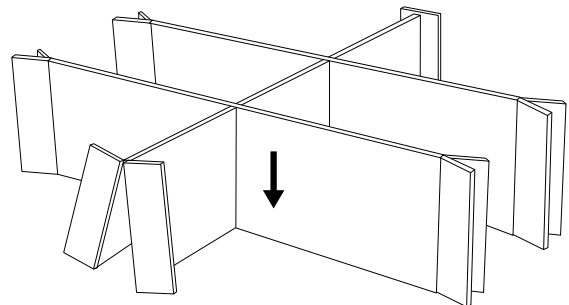


Diagrama 2



ENSAMBLE DE LA CAJA

Diagrama 1

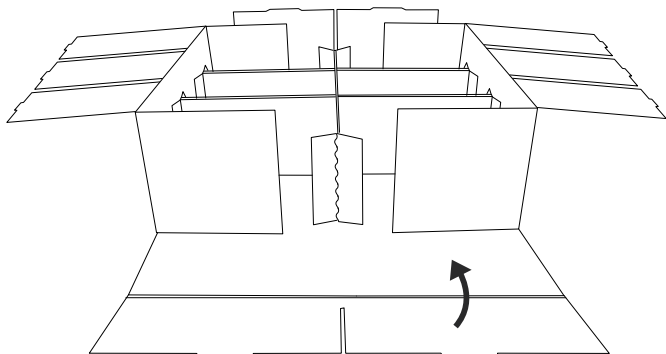


Diagrama 2

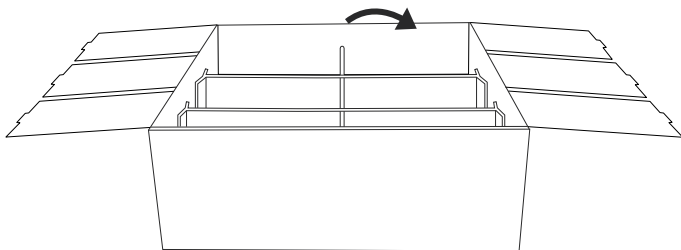


Diagrama 3

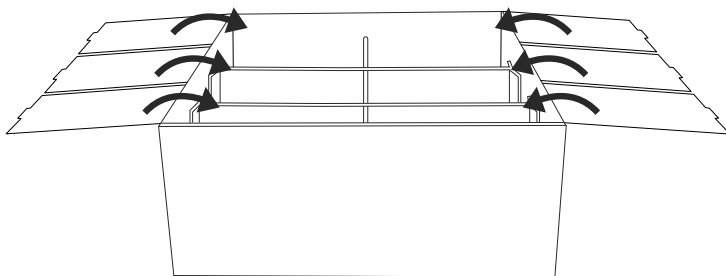


Diagrama 4

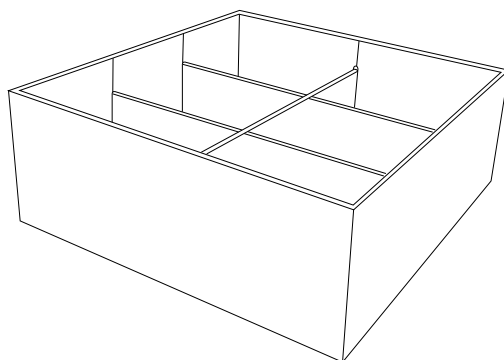
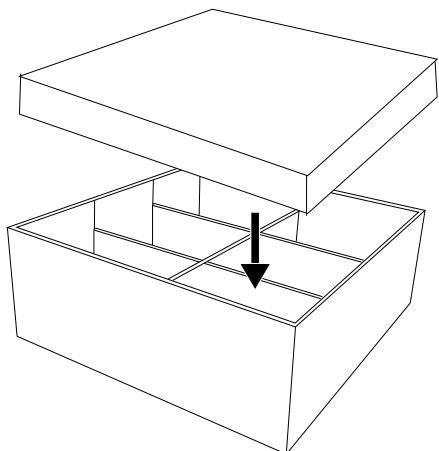
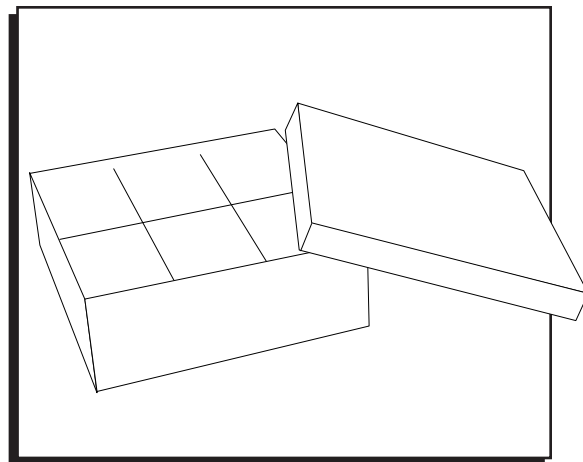


Diagrama 5



ULINE S-15024
BOÎTE D'ENTREPOSAGE
POUR DVD/CD

1-800-295-5510
uline.ca



ASSEMBLAGE DU COUVERCLE

Figure 1

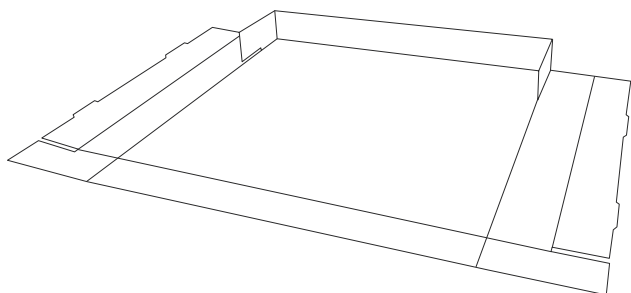


Figure 2

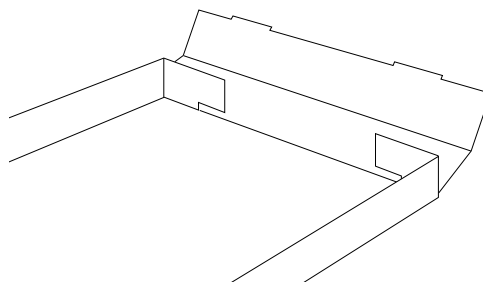
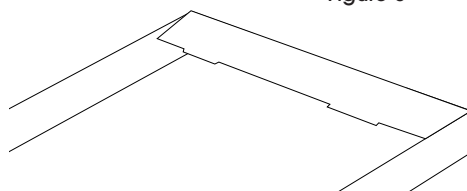


Figure 3



ASSEMBLAGE DES SÉPARATEURS

Figure 1

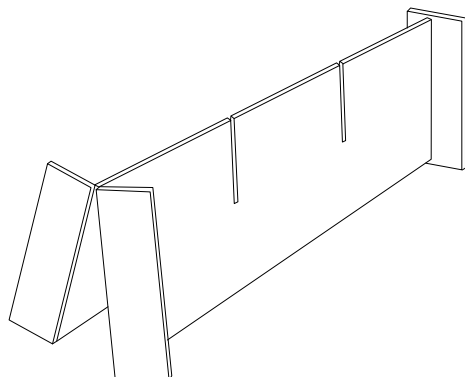
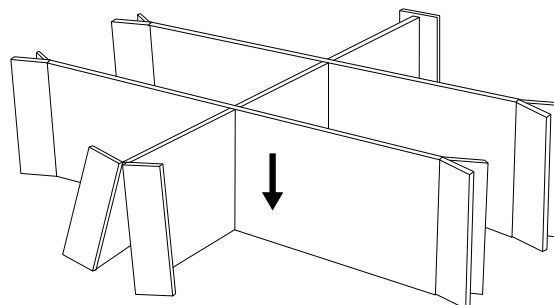


Figure 2



ASSEMBLAGE DE LA BOÎTE

Figure 1

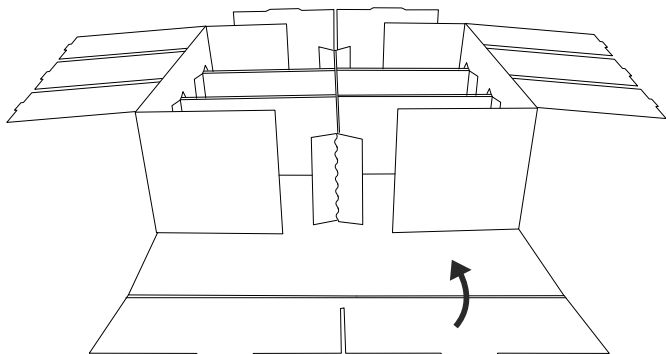


Figure 2

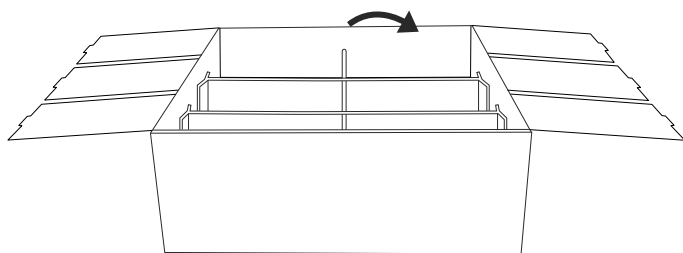


Figure 3

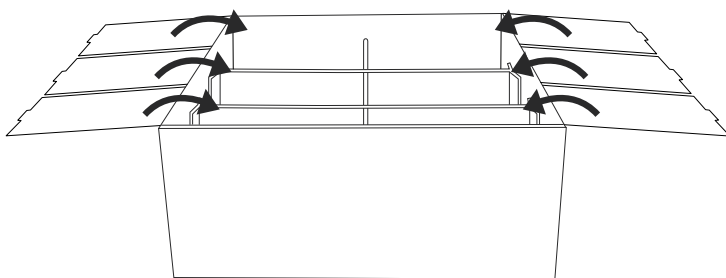


Figure 4

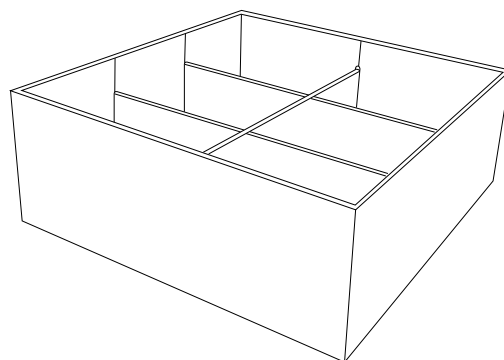


Figure 5

