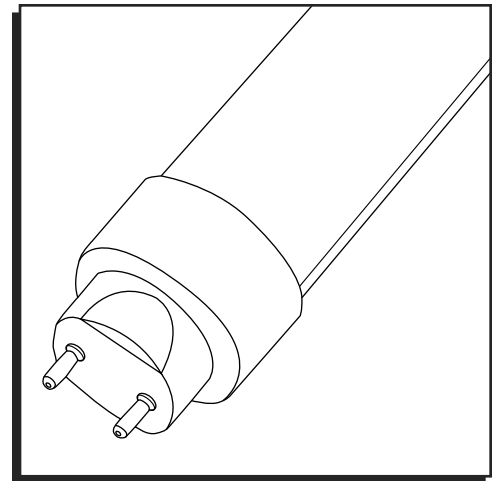


ULINE S-21731, S-21732 PLASTIC LED LIGHT BULBS

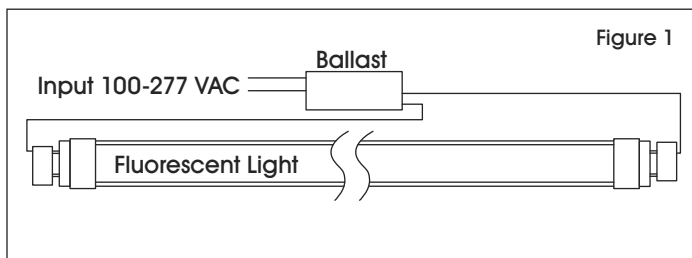
1-800-295-5510
uline.com



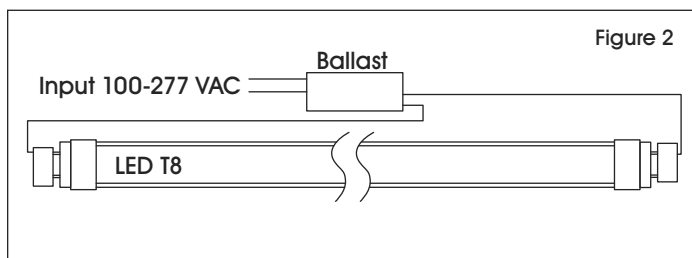
INSTALLATION

RETROFIT PROCEDURE WITH INSTANT START ELECTRONIC BALLAST


1. Turn off the power before installation.
2. Open the diffuser from the light fixture and remove the fluorescent tubes. Please dispose of these items properly, as they contain mercury. (See Figure 1)



3. Install the LED tubes into the lighting fixture and close the diffuser. (See Figure 2)

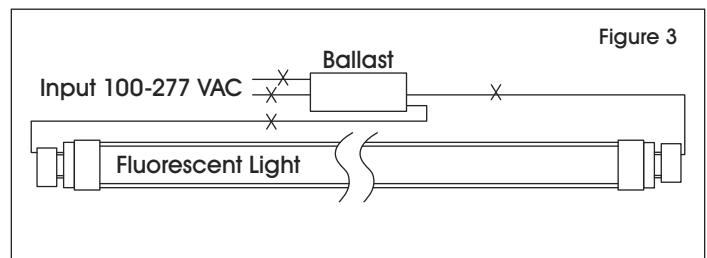


4. Turn on the power.

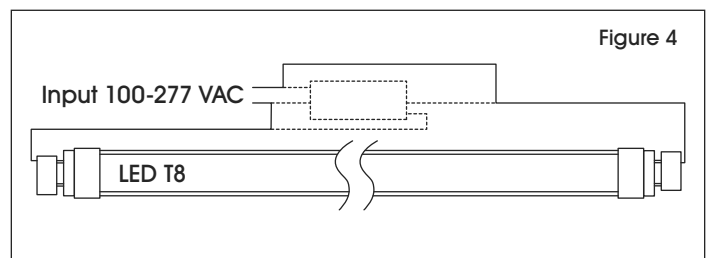
 **NOTE:** May not be compatible with all ballasts. See Ballast Compatibility on pages 2 and 3 for more information.

RETROFIT PROCEDURE WITHOUT BALLAST

1. Turn off the power before installation.
2. Open the diffuser from the light fixture and remove the fluorescent tubes. Dispose of tubes properly, as they contain mercury.
3. Cut the wires as indicated. (See Figure 3)



4. Make the new wire connect to branch circuit. (See Figure 4)



5. Place orange retrofit label on fixture to designate compatibility with ballast bypass LED tubes only.
6. Replace the cover over the wiring channel, install the LED tubes and close the diffuser.
7. Turn on the power.

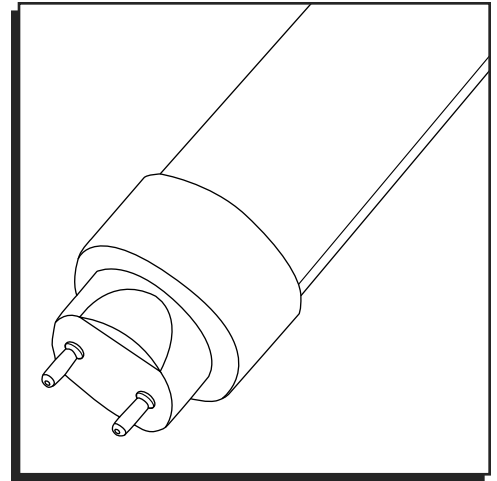
BALLAST COMPATIBILITY

MANUFACTURER	BALLAST MODEL	COMPATIBILITY
Philips Advance	GOPA-4P32-SC	Certified
Philips Advance	GOPA-1P32-LW-SC	Certified
Philips Advance	GOPA-2P32-LW-SC	Certified
Philips Advance	GOPA-3P32-LW-SC	Certified
Philips Advance	GOPA-4P32-LW-SC	Certified
Philips Advance	RES-2P32-N	Certified
Philips Advance	REB-2P32-SC	Certified
Philips Advance	REB-4P32-SC	Certified
Philips Advance	IOP-3PSP32-SC	Certified
Philips Advance	IOP-4PSP32-SC	Certified
Philips Advance	IOP-3PSP32-LW-SC	Certified
Philips Advance	IOP-4PSP32-LW-SC	Certified
Fulham Co., Inc	WH3-120-L	Certified
Fulham Co., Inc	WH3-277-L	Certified
Fulham Co., Inc	WH5-120-L	Certified
Fulham Co., Inc	WH5-277-L	Certified
Fulham Co., Inc	WHSG1-UNV-T8-IS	Certified
Fulham Co., Inc	WHSG2-UNV-T8-IS	Certified
Fulham Co., Inc	WHSG3-UNV-T8-HB	Certified
Fulham Co., Inc	WHSG3-UNV-T8-LB	Certified
Fulham Co., Inc	WHSG3-UNV-T8-IS	Certified
Fulham Co., Inc	WHSG1-UNV-T8-IS	Certified
Fulham Co., Inc	WH44-UNV-L	Certified
Fulham Co., Inc	WH43-UNV-L	Certified
Fulham Co., Inc	WH42-UNV-L	Certified
Universal Lighting Technologies	B432I277HEH	Certified
Universal Lighting Technologies	B332IUNVHEH-A	Certified
Universal Lighting Technologies	B232IUNVHEH-A	Certified
Universal Lighting Technologies	B432IUNVEL-A	Certified
Universal Lighting Technologies	B332IUNVEL-A	Certified
Universal Lighting Technologies	B232IUNVEL-A	Certified
Universal Lighting Technologies	B132IUNVEL-A	Certified
Universal Lighting Technologies	B432IUNVHP-A	Certified
Universal Lighting Technologies	B332IUNVHP-A	Certified
Universal Lighting Technologies	B232IUNVHP-A	Certified
Universal Lighting Technologies	B132IUNVHP-A	Certified
General Electric	GE-132-MV-N	Certified
General Electric	GE-232-MV-N	Certified
General Electric	GE-332-MV-N	Certified
General Electric	GE-232-MV-N-DIY	Certified
General Electric	GE-332-MV-N-DIY	Certified
General Electric	GE-432-MV-N-DIY	Certified
General Electric	GE232MAX347-N	Certified
General Electric	GE432MAX347-N	Certified
General Electric	GE232-120RES-DIY	Certified

BALLAST COMPATIBILITY CONTINUED

MANUFACTURER	BALLAST MODEL	COMPATIBILITY
General Electric	GE432-120RES-DIY	Certified
General Electric	GE232MVPS N	Certified
General Electric	GE332MVPS N	Certified
General Electric	GE432MVPS N	Certified
Osram Sylvania	QHE 4x32T8/UNV ISL-SC-1	Certified
Osram Sylvania	QHE 2x32T8/UNV ISL-SC-1	Certified
Osram Sylvania	QHE 4x32T8/UNV ISN-SC-1	Certified
Osram Sylvania	QHE 3x32T8/UNV ISN-SC-1	Certified
Osram Sylvania	QHE 2x32T8/UNV ISN-SC-1	Certified
Osram Sylvania	QHE 1x32T8/UNV ISN-SC-1	Certified
Osram Sylvania	QHE 2x32T8/UNV ISH HT SC	Certified
Osram Sylvania	QHE 1x32T8/UNV ISH HT SC	Certified
Osram Sylvania	QHE 4x32T8/UNV ISH	Certified
Osram Sylvania	QHE 3x32T8/UNV ISH-SC	Certified
Osram Sylvania	QHE 1x32T8/UNV ISH-SC	Certified
Osram Sylvania	QHE 4x32T8/UNV ISL-SC	Certified
Osram Sylvania	QHE 3x32T8/UNV ISL-SC	Certified
Osram Sylvania	QHE 2x32T8/UNV ISL-SC	Certified
Osram Sylvania	QHE 1x32T8/UNV ISL-SC	Certified
Osram Sylvania	QHE 4x32T8/UNV ISN-SC	Certified
Osram Sylvania	QHE 3x32T8/UNV ISN-SC	Certified
Osram Sylvania	QHE 2x32T8/UNV ISN-SC	Certified
Osram Sylvania	QHE 1x32T8/UNV ISN-SC	Certified
Osram Sylvania	QTP 4x32T8/UNV ISN-SC	Certified
Osram Sylvania	QTP 3x32T8/UNV ISN-SC	Certified
Osram Sylvania	QTP 2x32T8/UNV ISN-SC	Certified
Osram Sylvania	QTP 1x32T8/UNV ISN-SC	Certified
Osram Sylvania	QHE 4X32T8/UNV PSN-SC	Certified
Osram Sylvania	QHE 3x32T8/UNV PSN-SC	Certified
Osram Sylvania	QHE2x32T8/UNV PSN-SC	Certified

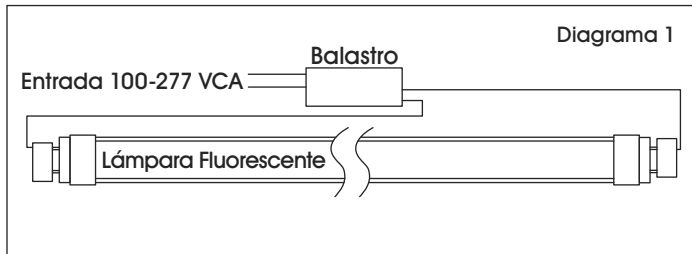
S-21731 and S-21732 and the ballasts listed above have passed internal compatibility tests. Ballasts that do not appear on the list might still be compatible but have not been tested. This list is current as of October 2016.



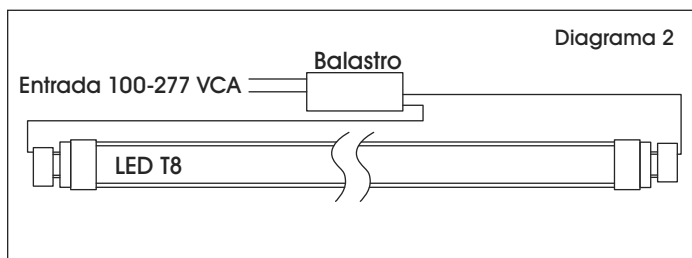
INSTALACIÓN

PROCEDIMIENTO DE ADAPTACIÓN A BALASTRO DE ENCENDIDO INSTANTÁNEO


1. Corte la electricidad antes de la instalación.
2. Retire el difusor de la base de la lámpara y saque los tubos fluorescentes. Deseche estos artículos de manera adecuada, ya que contienen mercurio. (Vea Diagrama 1)



3. Instale los tubos LED en la base de la lámpara y cierre el difusor. (Vea Diagrama 2)

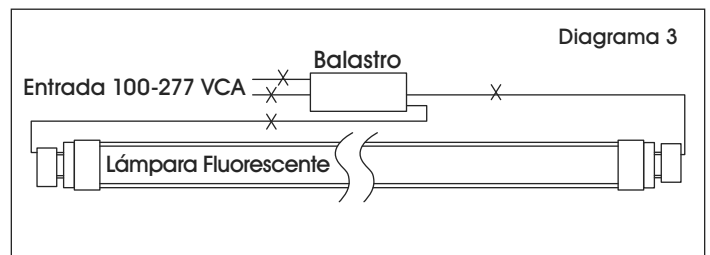


4. Restablezca la electricidad.

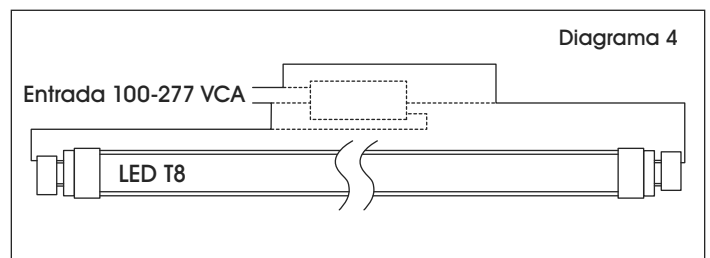
 **NOTA:** Pueden no ser compatibles con todos los balastos. Vea *Compatibilidad de Balastos* en las páginas 5 y 6 para más información.

PROCEDIMIENTO DE ADAPTACIÓN SIN BALASTRO

1. Corte la electricidad antes de la instalación.
2. Retire el difusor de la base de la lámpara y saque los tubos fluorescentes. Deseche los tubos de manera adecuada, ya que contienen mercurio.
3. Corte los cables como se indica. (Vea Diagrama 3)



4. Haga que el cable nuevo se conecte al circuito derivado. (Vea Diagrama 4)



5. Coloque la etiqueta naranja de adaptación en la base para designar la compatibilidad con tubos derivados LED de balastro solamente.
6. Vuelva a colocar la cubierta sobre el canal de los cables, instale los tubos LED y cierre el difusor.
7. Restablezca la electricidad.

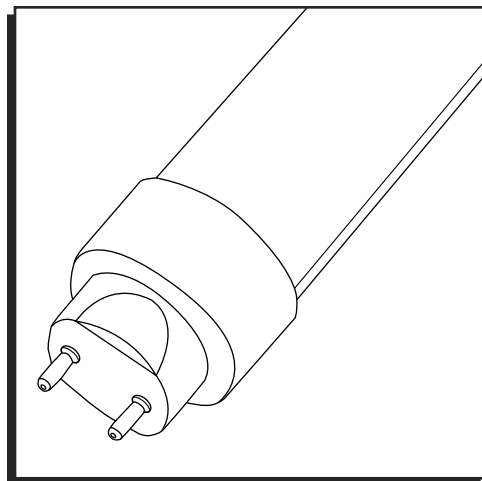
COMPATIBILIDAD DE BALASTROS

FABRICANTE	MODELO DE BALASTRO	COMPATIBILIDAD
Philips Advance	GOPA-4P32-SC	Certificado
Philips Advance	GOPA-1P32-LW-SC	Certificado
Philips Advance	GOPA-2P32-LW-SC	Certificado
Philips Advance	GOPA-3P32-LW-SC	Certificado
Philips Advance	GOPA-4P32-LW-SC	Certificado
Philips Advance	RES-2P32-N	Certificado
Philips Advance	REB-2P32-SC	Certificado
Philips Advance	REB-4P32-SC	Certificado
Philips Advance	IOP-3PSP32-SC	Certificado
Philips Advance	IOP-4PSP32-SC	Certificado
Philips Advance	IOP-3PSP32-LW-SC	Certificado
Philips Advance	IOP-4PSP32-LW-SC	Certificado
Fulham Co., Inc	WH3-120-L	Certificado
Fulham Co., Inc	WH3-277-L	Certificado
Fulham Co., Inc	WH5-120-L	Certificado
Fulham Co., Inc	WH5-277-L	Certificado
Fulham Co., Inc	WHSG1-UNV-T8-IS	Certificado
Fulham Co., Inc	WHSG2-UNV-T8-IS	Certificado
Fulham Co., Inc	WHSG3-UNV-T8-HB	Certificado
Fulham Co., Inc	WHSG3-UNV-T8-LB	Certificado
Fulham Co., Inc	WHSG3-UNV-T8-IS	Certificado
Fulham Co., Inc	WHSG1-UNV-T8-IS	Certificado
Fulham Co., Inc	WH44-UNV-L	Certificado
Fulham Co., Inc	WH43-UNV-L	Certificado
Fulham Co., Inc	WH42-UNV-L	Certificado
Universal Lighting Technologies	B432I277HEH	Certificado
Universal Lighting Technologies	B332IUNVHEH-A	Certificado
Universal Lighting Technologies	B232IUNVHEH-A	Certificado
Universal Lighting Technologies	B432IUNVEL-A	Certificado
Universal Lighting Technologies	B332IUNVEL-A	Certificado
Universal Lighting Technologies	B232IUNVEL-A	Certificado
Universal Lighting Technologies	B132IUNVEL-A	Certificado
Universal Lighting Technologies	B432IUNVHP-A	Certificado
Universal Lighting Technologies	B332IUNVHP-A	Certificado
Universal Lighting Technologies	B232IUNVHP-A	Certificado
Universal Lighting Technologies	B132IUNVHP-A	Certificado
General Electric	GE-132-MV-N	Certificado
General Electric	GE-232-MV-N	Certificado
General Electric	GE-332-MV-N	Certificado
General Electric	GE-232-MV-N-DIY	Certificado
General Electric	GE-332-MV-N-DIY	Certificado
General Electric	GE-432-MV-N-DIY	Certificado
General Electric	GE232MAX347-N	Certificado
General Electric	GE432MAX347-N	Certificado
General Electric	GE232-120RES-DIY	Certificado

CONTINUACIÓN DE COMPATIBILIDAD DE BALASTROS

FABRICANTE	MODELO DE BALASTRO	COMPATIBILIDAD
General Electric	GE432-120RES-DIY	Certificado
General Electric	GE232MVPS N	Certificado
General Electric	GE332MVPS N	Certificado
General Electric	GE432MVPS N	Certificado
Osram Sylvania	QHE 4x32T8/UNV ISL-SC-1	Certificado
Osram Sylvania	QHE 2x32T8/UNV ISL-SC-1	Certificado
Osram Sylvania	QHE 4x32T8/UNV ISN-SC-1	Certificado
Osram Sylvania	QHE 3x32T8/UNV ISN-SC-1	Certificado
Osram Sylvania	QHE 2x32T8/UNV ISN-SC-1	Certificado
Osram Sylvania	QHE 1x32T8/UNV ISN-SC-1	Certificado
Osram Sylvania	QHE 2x32T8/UNV ISH HT SC	Certificado
Osram Sylvania	QHE 1x32T8/UNV ISH HT SC	Certificado
Osram Sylvania	QHE 4x32T8/UNV ISH	Certificado
Osram Sylvania	QHE 3x32T8/UNV ISH-SC	Certificado
Osram Sylvania	QHE 1x32T8/UNV ISH-SC	Certificado
Osram Sylvania	QHE 4x32T8/UNV ISL-SC	Certificado
Osram Sylvania	QHE 3x32T8/UNV ISL-SC	Certificado
Osram Sylvania	QHE 2x32T8/UNV ISL-SC	Certificado
Osram Sylvania	QHE 1x32T8/UNV ISL-SC	Certificado
Osram Sylvania	QHE 4x32T8/UNV ISN-SC	Certificado
Osram Sylvania	QHE 3x32T8/UNV ISN-SC	Certificado
Osram Sylvania	QHE 2x32T8/UNV ISN-SC	Certificado
Osram Sylvania	QHE 1x32T8/UNV ISN-SC	Certificado
Osram Sylvania	QTP 4x32T8/UNV ISN-SC	Certificado
Osram Sylvania	QTP 3x32T8/UNV ISN-SC	Certificado
Osram Sylvania	QTP 2x32T8/UNV ISN-SC	Certificado
Osram Sylvania	QTP 1x32T8/UNV ISN-SC	Certificado
Osram Sylvania	QHE 4X32T8/UNV PSN-SC	Certificado
Osram Sylvania	QHE 3x32T8/UNV PSN-SC	Certificado
Osram Sylvania	QHE2x32T8/UNV PSN-SC	Certificado

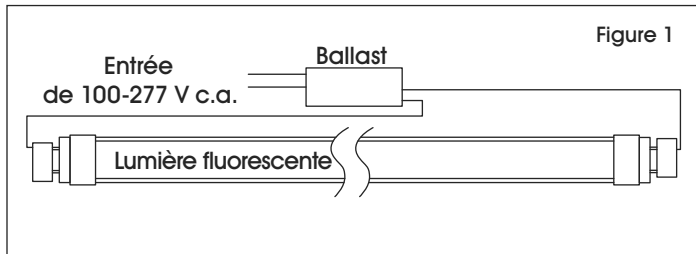
S-21731 y S-21732 y los balastros listados arriba han pasado pruebas internas de compatibilidad. Los balastros que no aparezcan en la lista puede que aun sean compatibles pero no se les han realizados pruebas. Esta lista está vigente al mes de octubre del 2016.



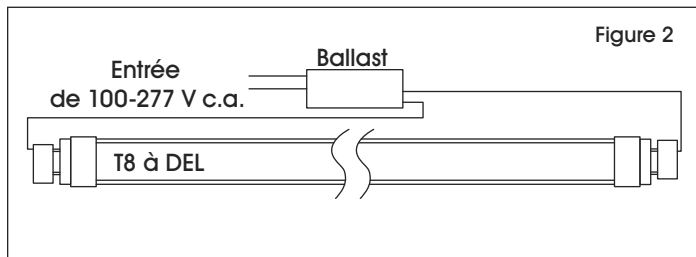
INSTALLATION

PROCÉDURE D'INSTALLATION AVEC UN BALLAST ÉLECTRONIQUE À ALLUMAGE INSTANTANÉ


1. Coupez l'alimentation avant l'installation.
2. Ouvrez le diffuseur du luminaire et retirez les tubes fluorescents. Veuillez jeter ces tubes de façon appropriée, car ils contiennent du mercure. (Voir Figure 1)



3. Installez les tubes DEL dans le luminaire et fermez le diffuseur. (Voir Figure 2)

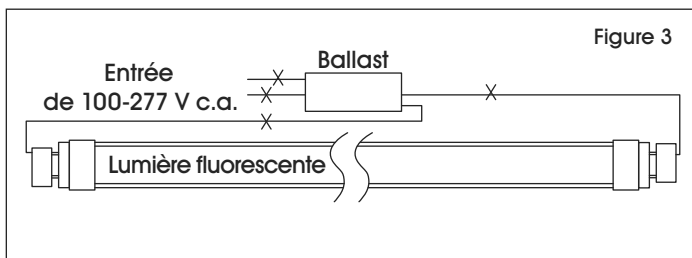


4. Mettez le luminaire sous tension.

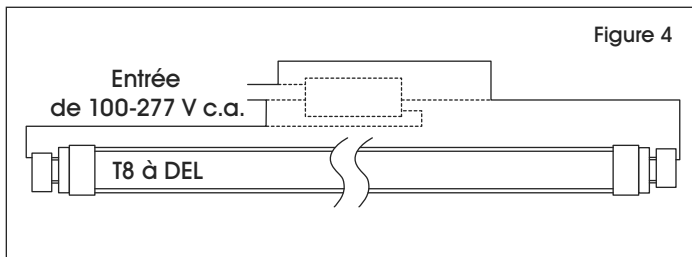
 **REMARQUE :** Il se peut que le luminaire ne soit pas compatible avec tous les types de ballasts. Consultez la section Compatibilité des ballasts à la page 8 et 9 pour de plus amples informations.

PROCÉDURE D'INSTALLATION SANS BALLAST

1. Coupez l'alimentation avant l'installation.
2. Ouvrez le diffuseur du luminaire et retirez les tubes fluorescents. Veuillez jeter ces tubes de façon appropriée, car ils contiennent du mercure.
3. Coupez les fils comme indiqué. (Voir Figure 3)



4. Connectez le nouveau fil au circuit de branchement. (Voir Figure 4)



5. Placez l'étiquette d'installation orange sur le luminaire pour indiquer la compatibilité avec les tubes de dérivation DEL uniquement.
6. Remettez le couvercle sur le canal de câblage, installez les tubes DEL et fermez le diffuseur.
7. Mettez le luminaire sous tension.

COMPATIBILITÉ DES BALLASTS

FABRICANT	MODÈLE DE BALLAST	COMPATIBILITÉ
Philips Advance	GOPA-4P32-SC	Homologué
Philips Advance	GOPA-1P32-LW-SC	Homologué
Philips Advance	GOPA-2P32-LW-SC	Homologué
Philips Advance	GOPA-3P32-LW-SC	Homologué
Philips Advance	GOPA-4P32-LW-SC	Homologué
Philips Advance	RES-2P32-N	Homologué
Philips Advance	REB-2P32-SC	Homologué
Philips Advance	REB-4P32-SC	Homologué
Philips Advance	IOP-3PSP32-SC	Homologué
Philips Advance	IOP-4PSP32-SC	Homologué
Philips Advance	IOP-3PSP32-LW-SC	Homologué
Philips Advance	IOP-4PSP32-LW-SC	Homologué
Fulham Co., Inc	WH3-120-L	Homologué
Fulham Co., Inc	WH3-277-L	Homologué
Fulham Co., Inc	WH5-120-L	Homologué
Fulham Co., Inc	WH5-277-L	Homologué
Fulham Co., Inc	WHS1-UNV-T8-IS	Homologué
Fulham Co., Inc	WHS2-UNV-T8-IS	Homologué
Fulham Co., Inc	WHS3-UNV-T8-HB	Homologué
Fulham Co., Inc	WHS3-UNV-T8-LB	Homologué
Fulham Co., Inc	WHS3-UNV-T8-IS	Homologué
Fulham Co., Inc	WHS1-UNV-T8-IS	Homologué
Fulham Co., Inc	WH44-UNV-L	Homologué
Fulham Co., Inc	WH43-UNV-L	Homologué
Fulham Co., Inc	WH42-UNV-L	Homologué
Universal Lighting Technologies	B432I277HEH	Homologué
Universal Lighting Technologies	B332IUNVHEH-A	Homologué
Universal Lighting Technologies	B232IUNVHEH-A	Homologué
Universal Lighting Technologies	B432IUNVEL-A	Homologué
Universal Lighting Technologies	B332IUNVEL-A	Homologué
Universal Lighting Technologies	B232IUNVEL-A	Homologué
Universal Lighting Technologies	B132IUNVEL-A	Homologué
Universal Lighting Technologies	B432IUNVHP-A	Homologué
Universal Lighting Technologies	B332IUNVHP-A	Homologué
Universal Lighting Technologies	B232IUNVHP-A	Homologué
Universal Lighting Technologies	B132IUNVHP-A	Homologué
General Electric	GE-132-MV-N	Homologué
General Electric	GE-232-MV-N	Homologué
General Electric	GE-332-MV-N	Homologué
General Electric	GE-232-MV-N-DIY	Homologué
General Electric	GE-332-MV-N-DIY	Homologué
General Electric	GE-432-MV-N-DIY	Homologué
General Electric	GE232MAX347-N	Homologué
General Electric	GE432MAX347-N	Homologué
General Electric	GE232-120RES-DIY	Homologué

COMPATIBILITÉ DES BALLASTS SUITE

FABRICANT	MODÈLE DE BALLAST	COMPATIBILITÉ
General Electric	GE432-120RES-DIY	Homologué
General Electric	GE232MVPS N	Homologué
General Electric	GE332MVPS N	Homologué
General Electric	GE432MVPS N	Homologué
Osram Sylvania	QHE 4x32T8/UNV ISL-SC-1	Homologué
Osram Sylvania	QHE 2x32T8/UNV ISL-SC-1	Homologué
Osram Sylvania	QHE 4x32T8/UNV ISN-SC-1	Homologué
Osram Sylvania	QHE 3x32T8/UNV ISN-SC-1	Homologué
Osram Sylvania	QHE 2x32T8/UNV ISN-SC-1	Homologué
Osram Sylvania	QHE 1x32T8/UNV ISN-SC-1	Homologué
Osram Sylvania	QHE 2x32T8/UNV ISH HT SC	Homologué
Osram Sylvania	QHE 1x32T8/UNV ISH HT SC	Homologué
Osram Sylvania	QHE 4x32T8/UNV ISH	Homologué
Osram Sylvania	QHE 3x32T8/UNV ISH-SC	Homologué
Osram Sylvania	QHE 1x32T8/UNV ISH-SC	Homologué
Osram Sylvania	QHE 4x32T8/UNV ISL-SC	Homologué
Osram Sylvania	QHE 3x32T8/UNV ISL-SC	Homologué
Osram Sylvania	QHE 2x32T8/UNV ISL-SC	Homologué
Osram Sylvania	QHE 1x32T8/UNV ISL-SC	Homologué
Osram Sylvania	QHE 4x32T8/UNV ISN-SC	Homologué
Osram Sylvania	QHE 3x32T8/UNV ISN-SC	Homologué
Osram Sylvania	QHE 2x32T8/UNV ISN-SC	Homologué
Osram Sylvania	QHE 1x32T8/UNV ISN-SC	Homologué
Osram Sylvania	QTP 4x32T8/UNV ISN-SC	Homologué
Osram Sylvania	QTP 3x32T8/UNV ISN-SC	Homologué
Osram Sylvania	QTP 2x32T8/UNV ISN-SC	Homologué
Osram Sylvania	QTP 1x32T8/UNV ISN-SC	Homologué
Osram Sylvania	QHE 4X32T8/UNV PSN-SC	Homologué
Osram Sylvania	QHE 3x32T8/UNV PSN-SC	Homologué
Osram Sylvania	QHE2x32T8/UNV PSN-SC	Homologué

Le S-21731, le S-21732 et les ballasts énumérés ci-dessus ont passé des tests de compatibilité internes. Les ballasts non énumérés peuvent être tout de même compatibles, mais n'ont pas été testés. La mise à jour de cette liste est en date du mois d'octobre 2016.