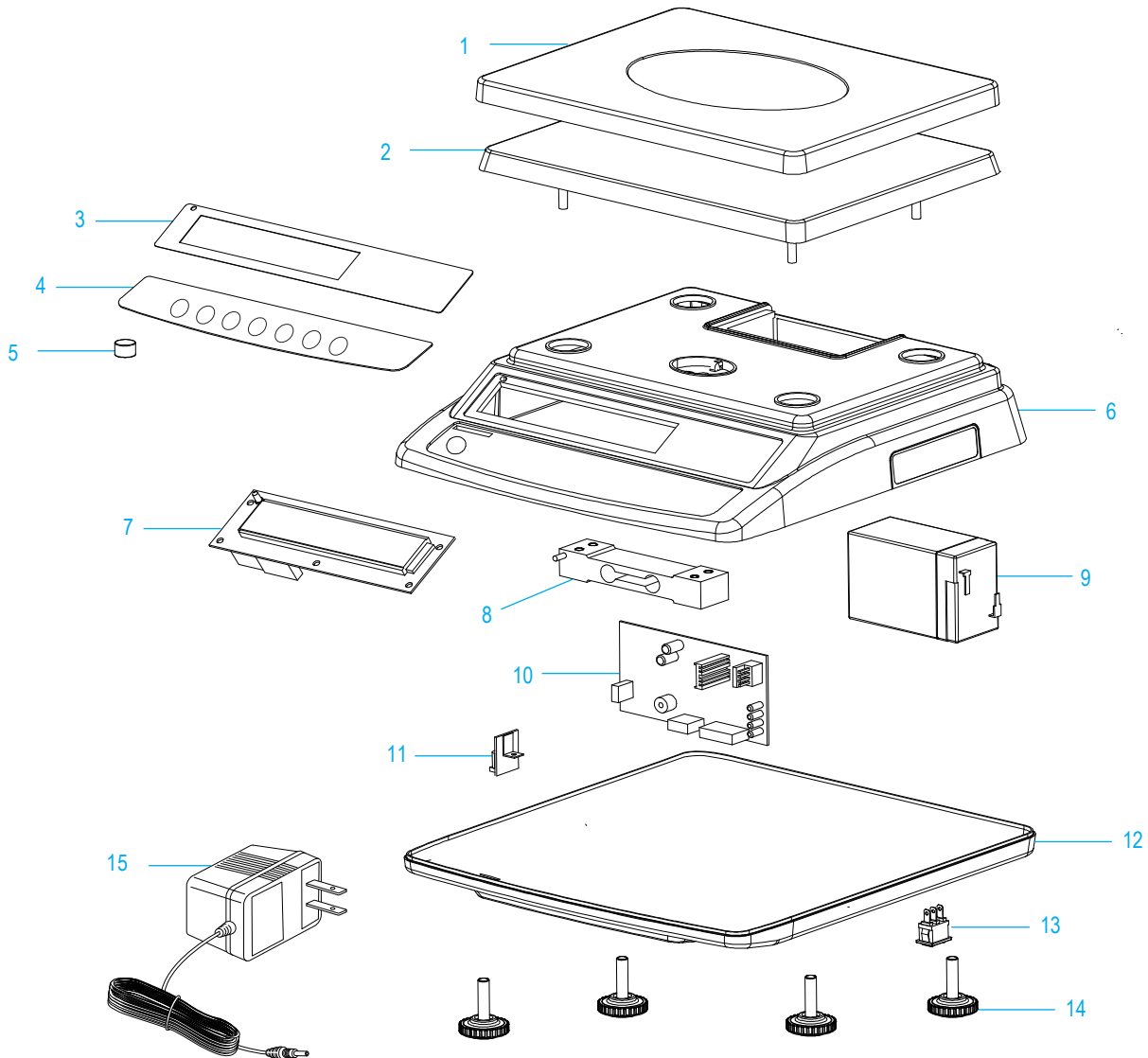
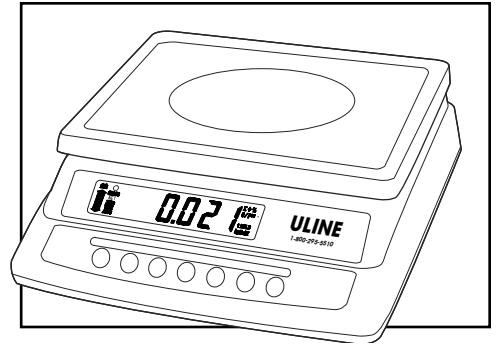


ULINE H-1649, H-1650, H-1651
H-1653, H-1654
EASY-COUNT SCALES

1-800-295-5510
uline.com

Para Español, vea páginas 3-4.
Pour le français, consulter les pages 5-6.





H-1649, H-1650, H-1651
H-1653, H-1654

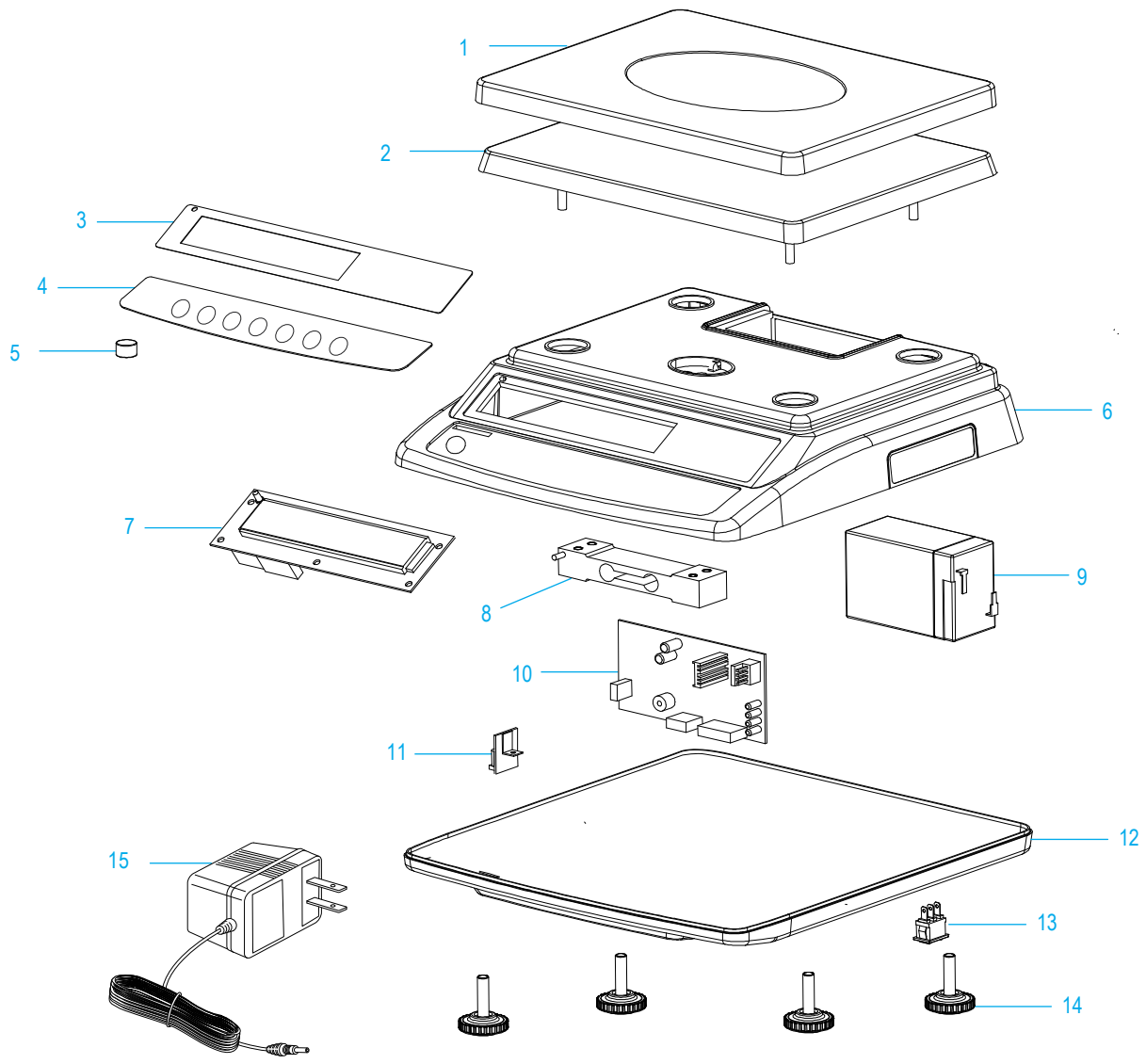
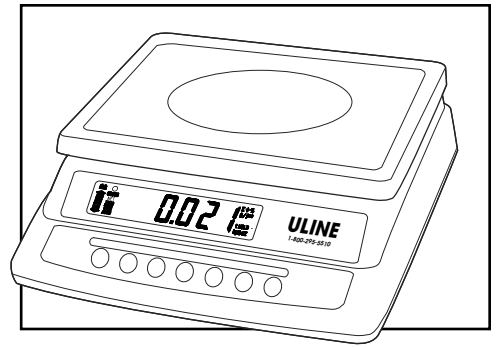
EASY-COUNT SCALES

1-800-295-5510
uline.com

| # | DESCRIPTION | QTY. | ULINE PART NO. | MFG. PART NO. |
|----|---------------------------------|------|----------------|------------------------|
| 1 | Stainless Steel Weighing Pan | 1 | H-1653-PAN | 113400231 |
| 2 | Plastic Weighing Pan | 1 | H-1650-PAN | 111700127 |
| 3 | Display Overlay for H-1649 | 1 | ----- | 113701185 |
| 3 | Display Overlay for H-1650 | 1 | ----- | 113701186 |
| 3 | Display Overlay for H-1651 | 1 | H-1651-OVRLY | 113701184 |
| 3 | Display Overlay for H-1653 | 1 | H-1653-DISP | 113701188 |
| 3 | Display Overlay for H-1654 | 1 | ----- | 113701187 |
| 4 | Keypad Overlay for H-1649 | 1 | H-1649-351 | 113500760 |
| 4 | Keypad Overlay for H-1650 | 1 | H-1650-352 | 113500761 |
| 4 | Keypad Overlay for H-1651 | 1 | H-1651-353 | 113500762 |
| 4 | Keypad Overlay for H-1653 | 1 | H-1653-354 | 113500763 |
| 4 | Keypad Overlay for H-1654 | 1 | H-1654-355 | 113500764 |
| 5 | Level Indicator | 1 | ----- | 112200009 |
| 6 | Upper Housing | 1 | H-1651-TPCVR | 111700163 |
| 7 | Display Board | 1 | H-1650-DISP | 120100366 |
| 8 | Load Cell for H-1649 | 1 | H-1649-CELL | 113000620 |
| 8 | Load Cell for H-1650 | 1 | H-1650-CELL | 113000621 |
| 8 | Load Cell for H-1651 | 1 | H-1651-CELL | 113000622 |
| 8 | Load Cell for H-1653 and H-1654 | 1 | H-1653-CELL | 113000617 |
| 9 | Battery | 1 | H-1652 | 110200029 |
| 10 | Mainboard | 1 | H-1654-MB14B | 120100372 |
| 11 | AC Adapter Power Socket | 1 | H-1651-PWRSK | 120100415 |
| 12 | Lower Housing | 1 | ----- | 111700333 |
| 13 | On/Off Power Switch | 1 | H-1653-9 | 120300102 |
| 14 | Foot | 4 | H-1651-FEET | 111700134 111800102 |
| 15 | 12V AC Adapter | 1 | H-1679-ADAPT | 111200157 |
| | Dust Cover (Not Shown) | 1 | H-1651-DCVR | 112700347 |

ULINE H-1649, H-1650, H-1651
H-1653, H-1654
**BÁSCULAS CUENTA
FÁCIL**

01-800-295-5510
uline.mx





H-1649, H-1650, H-1651
H-1653, H-1654

**BÁSCULAS CUENTA
FÁCIL**

01-800-295-5510

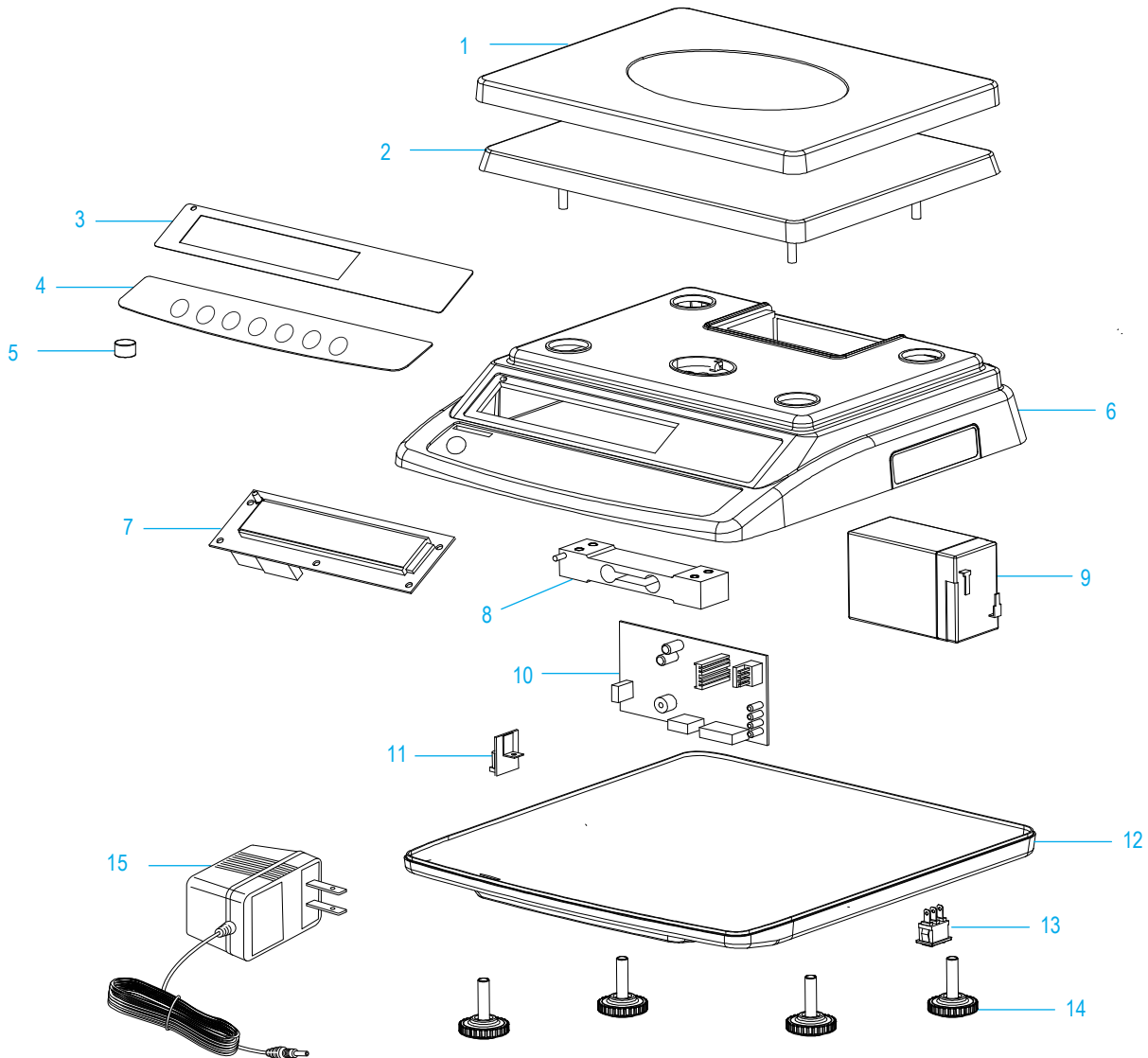
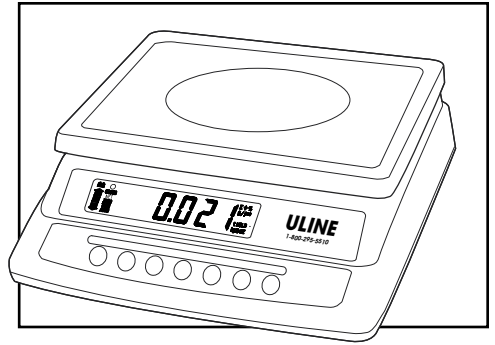
uline.mx

| # | DESCRIPCIÓN | CANT. | NO. DE PARTE DE ULINE | NO. DE PARTE DEL FABRICANTE |
|----|--|-------|-----------------------|-----------------------------|
| 1 | Plataforma de Acero Inoxidable para Pesaje | 1 | H-1653-PAN | 113400231 |
| 2 | Plataforma de Plástico para Pesaje | 1 | H-1650-PAN | 111700127 |
| 3 | Mica de la Pantalla para H-1649 | 1 | ----- | 113701185 |
| 3 | Mica de la Pantalla para H-1650 | 1 | ----- | 113701186 |
| 3 | Mica de la Pantalla para H-1651 | 1 | H-1651-OVRLY | 113701184 |
| 3 | Mica de la Pantalla para H-1653 | 1 | H-1653-DISP | 113701188 |
| 3 | Mica de la Pantalla para H-1654 | 1 | ----- | 113701187 |
| 4 | Mica del Teclado para H-1649 | 1 | H-1649-351 | 113500760 |
| 4 | Mica del Teclado para H-1650 | 1 | H-1650-352 | 113500761 |
| 4 | Mica del Teclado para H-1651 | 1 | H-1651-353 | 113500762 |
| 4 | Mica del Teclado para H-1653 | 1 | H-1653-354 | 113500763 |
| 4 | Mica del Teclado para H-1654 | 1 | H-1654-355 | 113500764 |
| 5 | Indicador de Nivel | 1 | ----- | 112200009 |
| 6 | Cubierta Superior | 1 | H-1651-TPCVR | 111700163 |
| 7 | Tarjeta de Pantalla | 1 | H-1650-DISP | 120100366 |
| 8 | Celda de Carga para H-1649 | 1 | H-1649-CELL | 113000620 |
| 8 | Celda de Carga para H-1650 | 1 | H-1650-CELL | 113000621 |
| 8 | Celda de Carga para H-1651 | 1 | H-1651-CELL | 113000622 |
| 8 | Celda de Carga para H-1653 and H-1654 | 1 | H-1653-CELL | 113000617 |
| 9 | Batería | 1 | H-1652 | 110200029 |
| 10 | Tarjeta Principal | 1 | H-1654-MB14B | 120100372 |
| 11 | Enchufe Adaptador CA | 1 | H-1651-PWRSK | 120100415 |
| 12 | Cubierta Inferior | 1 | ----- | 111700333 |
| 13 | Interruptor de Encendido / Apagado | 1 | H-1653-9 | 120300102 |
| 14 | Pata | 4 | H-1651-FEET | 111700134 111800102 |
| 15 | Adaptador CA de 12 Voltios | 1 | H-1679-ADAPT | 111200157 |
| | Cubierta para Polvo (No se Muestra) | 1 | H-1651-DCVR | 112700347 |

ULINE H-1649, H-1650, H-1651
H-1653, H-1654

BALANCE COMPTEUSE SIMPLE

1-800-295-5510
uline.ca



**BALANCE COMPTEUSE
SIMPLE**

| # | DESCRIPTION | QTÉ | RÉF. ULINE | RÉF. DU FABRICANT |
|----|---|-----|--------------|------------------------|
| 1 | Plateau de pesée en acier inoxydable | 1 | H-1653-PAN | 113400231 |
| 2 | Plateau de pesée en plastique | 1 | H-1650-PAN | 111700127 |
| 3 | Afficheur revêtu pour H-1649 | 1 | ----- | 113701185 |
| 3 | Afficheur revêtu pour H-1650 | 1 | ----- | 113701186 |
| 3 | Afficheur revêtu pour H-1651 | 1 | H-1651-OVRLY | 113701184 |
| 3 | Afficheur revêtu pour H-1653 | 1 | H-1653-DISP | 113701188 |
| 3 | Afficheur revêtu pour H-1654 | 1 | ----- | 113701187 |
| 4 | Clavier à membrane pour H-1649 | 1 | H-1649-351 | 113500760 |
| 4 | Clavier à membrane pour H-1650 | 1 | H-1650-352 | 113500761 |
| 4 | Clavier à membrane pour H-1651 | 1 | H-1651-353 | 113500762 |
| 4 | Clavier à membrane pour H-1653 | 1 | H-1653-354 | 113500763 |
| 4 | Clavier à membrane pour H-1654 | 1 | H-1654-355 | 113500764 |
| 5 | Indicateur de niveau | 1 | ----- | 112200009 |
| 6 | Boîtier supérieur | 1 | H-1651-TPCVR | 111700163 |
| 7 | Tableau d'affichage | 1 | H-1650-DISP | 120100366 |
| 8 | Cellule de poids pour H-1649 | 1 | H-1649-CELL | 113000620 |
| 8 | Cellule de poids pour H-1650 | 1 | H-1650-CELL | 113000621 |
| 8 | Cellule de poids pour H-1651 | 1 | H-1651-CELL | 113000622 |
| 8 | Cellule de poids pour H-1653 and H-1654 | 1 | H-1653-CELL | 113000617 |
| 9 | Pile | 1 | H-1652 | 110200029 |
| 10 | Carte mère | 1 | H-1654-MB14B | 120100372 |
| 11 | Prise de courant de l'adaptateur c.a. | 1 | H-1651-PWRSK | 120100415 |
| 12 | Boîtier inférieur | 1 | ----- | 111700333 |
| 13 | Interrupteur marche / arrêt | 1 | H-1653-9 | 120300102 |
| 14 | Pied | 4 | H-1651-FEET | 111700134 111800102 |
| 15 | Adaptateur c.a. de 12V | 1 | H-1679-ADAPT | 111200157 |
| | Housse anti-poussière (non illustré) | 1 | H-1651-DCVR | 112700347 |