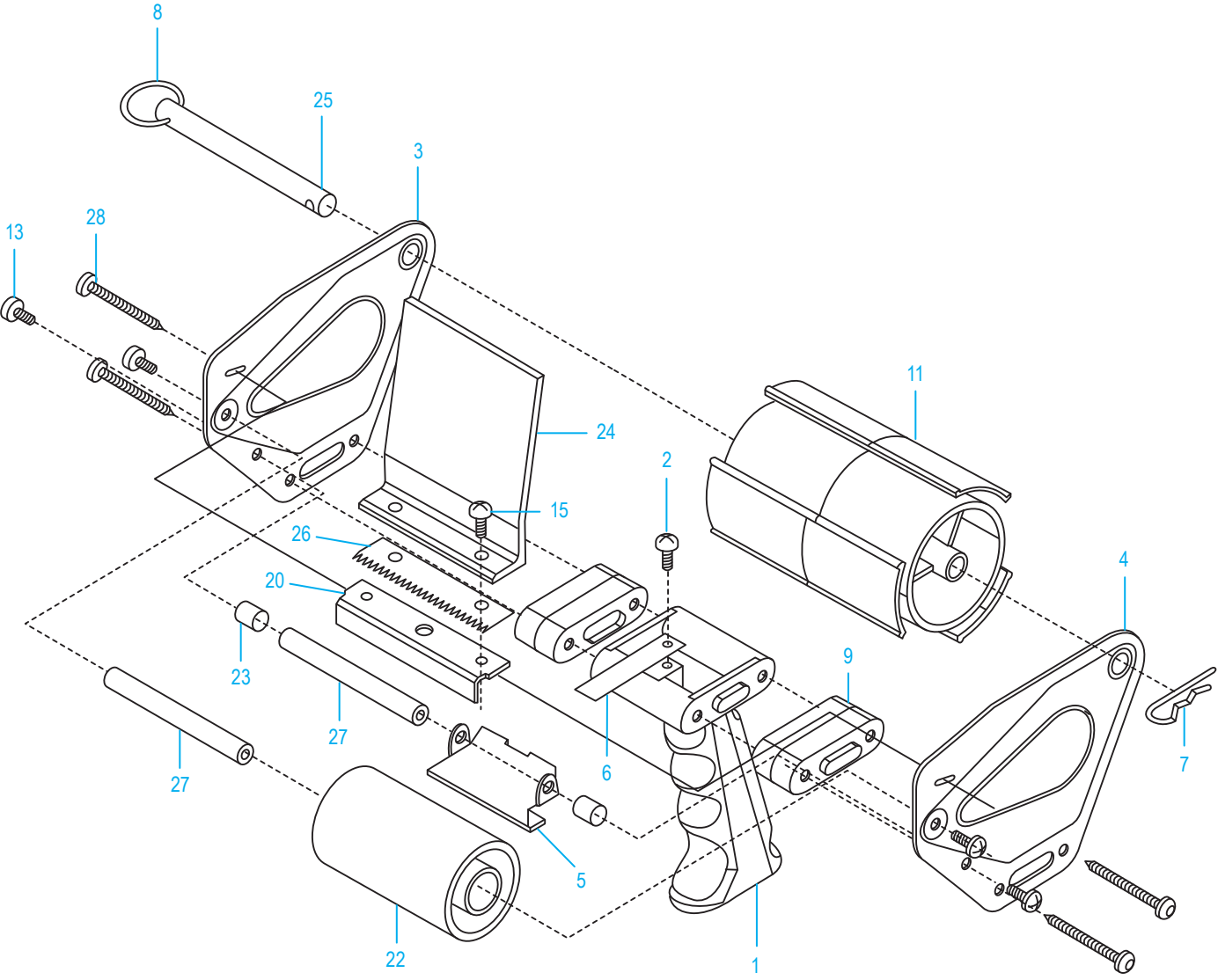
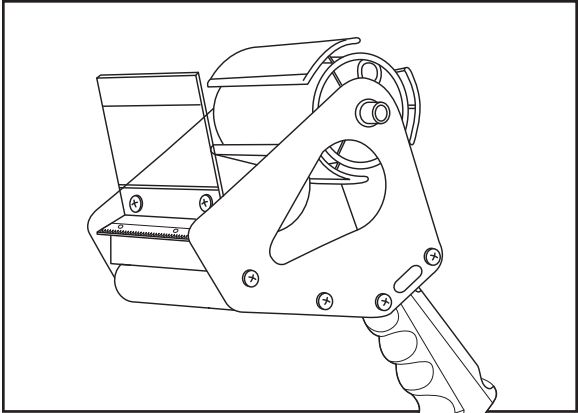


ULINE H-165

4" TOP LOADER TAPE DISPENSER

1-800-295-5510
uline.com



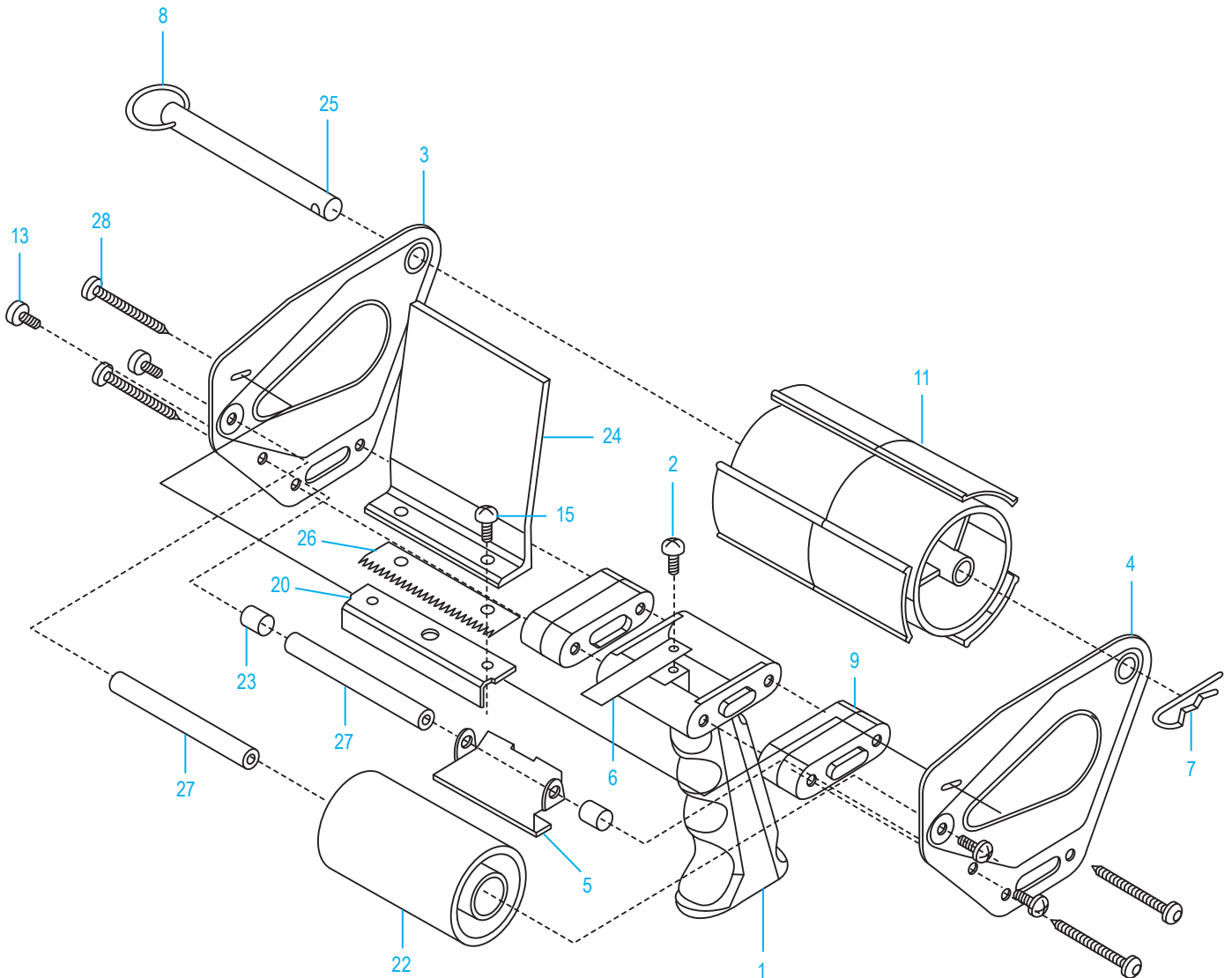
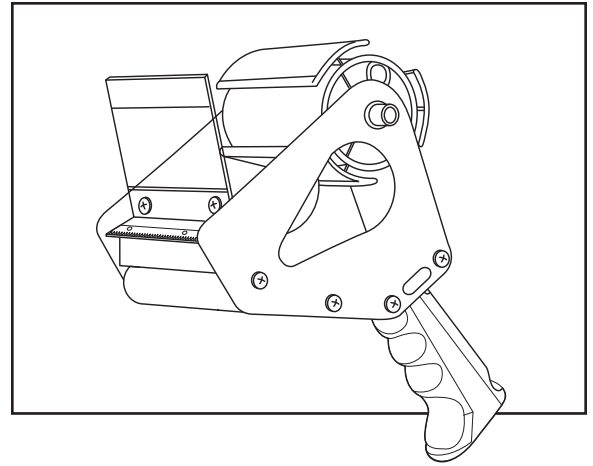
ULINE H-165
4" TOP LOADER
TAPE DISPENSER

1-800-295-5510
 uline.com

| # | DESCRIPTION | QTY. | ULINE PART NO. | MFG. PART NO. |
|----|---------------------------|------|----------------|---------------------|
| 1 | Handle | 1 | ----- | 210309 |
| 2 | Screw | 1 | ----- | 210334 |
| 3 | Left Metal Plate | 1 | ----- | 330201 |
| 4 | Right Metal Plate | 1 | | 330202 |
| 5 | Metal Gate | 1 | ----- | 330203 |
| 6 | Steel Spring | 1 | ----- | 220205 |
| 7 | Clip | 1 | ----- | 330209 |
| 8 | Ring | 1 | ----- | 330210 |
| 9 | Plastic Parts | 4 | ----- | 330211 |
| 11 | 4" Core | 1 | H-165C | 3302130 and 3302131 |
| 13 | Screw for Plate | 4 | ----- | 330217 |
| 15 | Screw for Wipe Down Blade | 2 | ----- | 330219 |
| 20 | Blade Holder | 1 | ----- | 440102 |
| 22 | Rubber Roller | 1 | ----- | ----- |
| 23 | Gate Cap | 2 | ----- | 440106 |
| 24 | Wipe Down Blade | 1 | H-165WB | 440103 |
| 25 | Tube with Two Holes | 1 | ----- | 440107 |
| 26 | Blade | 1 | H-165B | 440101 |
| 27 | Tube | 2 | ----- | 440109 |
| 28 | Screw | 4 | ----- | 440110 |

ULINE H-165
DESPACHADOR DE
CINTA DE CARGA
SUPERIOR - 10.2 CM (4")

01-800-295-5510
uline.mx



ULINE H-165
DESPACHADOR DE
CINTA DE CARGA
SUPERIOR - 10.2 CM (4")

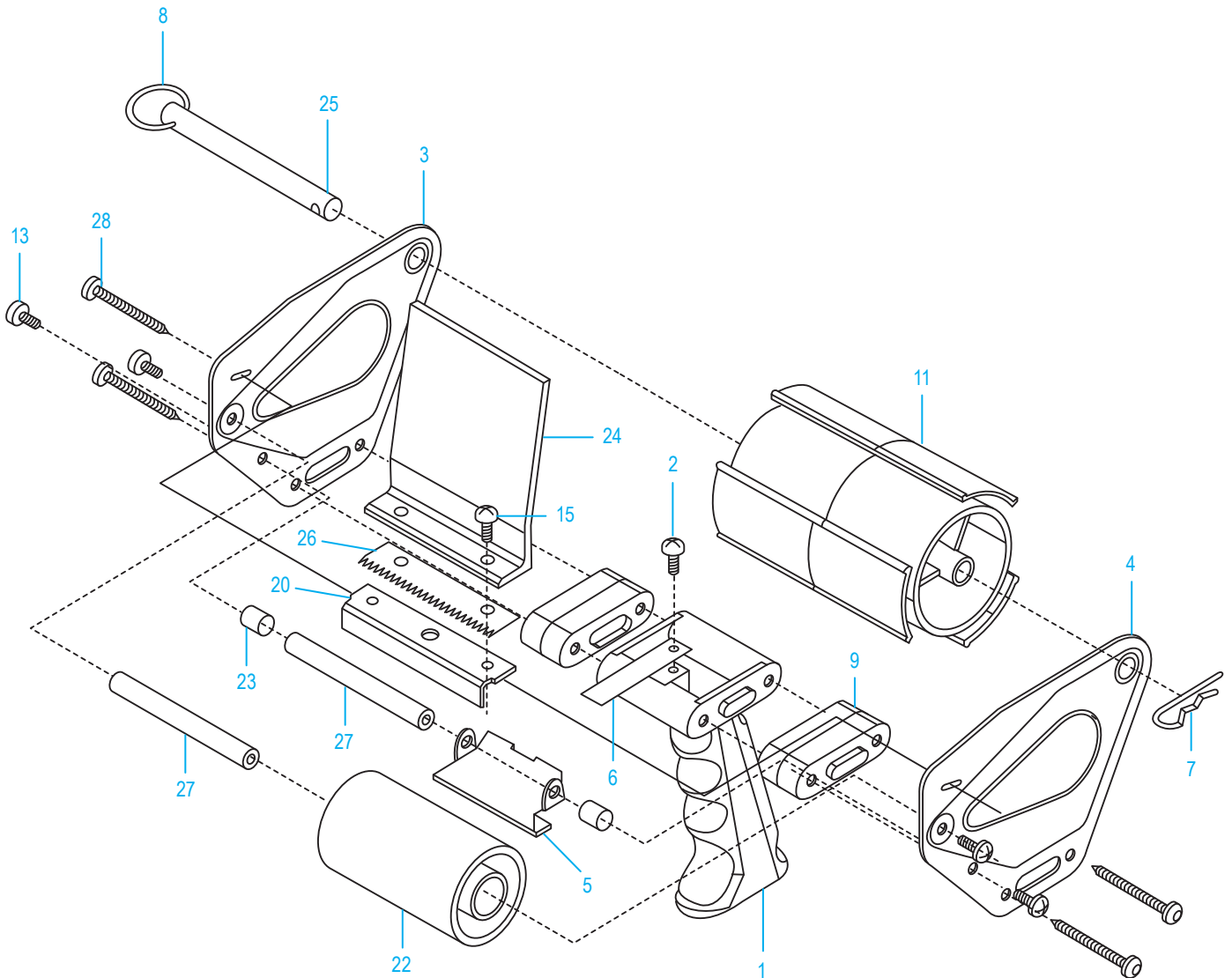
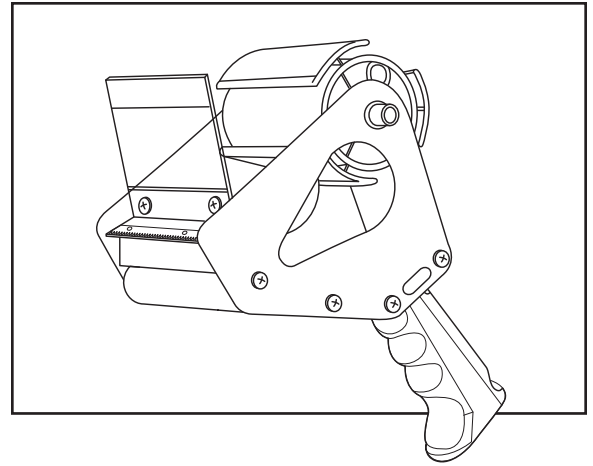
01-800-295-5510
 uline.mx

| # | DESCRIPCIÓN | CANT. | NO. DE PARTE DE ULINE | NO. DE PARTE DEL FABRICANTE |
|----|-----------------------------|-------|-----------------------|-----------------------------|
| 1 | Asa | 1 | ----- | 210309 |
| 2 | Tornillo | 1 | ----- | 210334 |
| 3 | Placa de Metal Izquierda | 1 | ----- | 330201 |
| 4 | Placa de Metal Derecha | 1 | ----- | 330202 |
| 5 | Puerta de Metal | 1 | ----- | 330203 |
| 6 | Resorte de Acero | 1 | ----- | 220205 |
| 7 | Clip | 1 | ----- | 330209 |
| 8 | Anillo | 1 | ----- | 330210 |
| 9 | Partes de Plástico | 4 | ----- | 330211 |
| 11 | Núcleo de 4" | 1 | H-165C | 3302130 y 3302131 |
| 13 | Tornillo para Placa | 4 | ----- | 330217 |
| 15 | Tornillo de Hoja de Presión | 2 | ----- | 330219 |
| 20 | Soporte para Navaja | 1 | ----- | 440102 |
| 22 | Rodillo de Goma | 1 | ----- | ----- |
| 23 | Tapa de la Puerta | 2 | ----- | 440106 |
| 24 | Hoja de Presión | 1 | H-165WB | 440103 |
| 25 | Tubo con Dos Orificios | 1 | ----- | 440107 |
| 26 | Navaja | 1 | H-165B | 440101 |
| 27 | Tubo | 2 | ----- | 440109 |
| 28 | Tornillo | 4 | ----- | 440110 |

ULINE H-165

1-800-295-5510
uline.ca

**DÉVIDOIR DE RUBAN
ADHÉSIF RECHARGEABLE
PAR LE HAUT DE
10,2 CM (4 PO)**



**DÉVIDOIR DE RUBAN
ADHÉSIF RECHARGEABLE
PAR LE HAUT DE
10,2 CM (4 PO)**

| # | DESCRIPTION | QTÉ | RÉF. ULINE | RÉF. DU FABRICANT |
|----|-------------------------------|-----|------------|---------------------|
| 1 | Poignée | 1 | ----- | 210309 |
| 2 | Vis | 1 | ----- | 210334 |
| 3 | Plaque en métal (côté gauche) | 1 | ----- | 330201 |
| 4 | Plaque en métal (côté droit) | 1 | ----- | 330202 |
| 5 | Porte en métal | 1 | ----- | 330203 |
| 6 | Ressort en acier | 1 | ----- | 220205 |
| 7 | Attache | 1 | ----- | 330209 |
| 8 | Anneau | 1 | ----- | 330210 |
| 9 | Pièces en plastique | 4 | ----- | 330211 |
| 11 | Mandrin de 4 po | 1 | H-165C | 3302130 and 3302131 |
| 13 | Vis pour plaque | 4 | ----- | 330217 |
| 15 | Vis pour plaque de pression | 2 | ----- | 330219 |
| 20 | Support de lame | 1 | ----- | 440102 |
| 22 | Rouleau en caoutchouc | 1 | ----- | ----- |
| 23 | Capuchon de porte | 2 | ----- | 440106 |
| 24 | Plaque de pression | 1 | H-165WB | 440103 |
| 25 | Tubes à deux trous | 1 | ----- | 440107 |
| 26 | Lame | 1 | H-165B | 440101 |
| 27 | Tube | 2 | ----- | 440109 |
| 28 | Vis | 4 | ----- | 440110 |