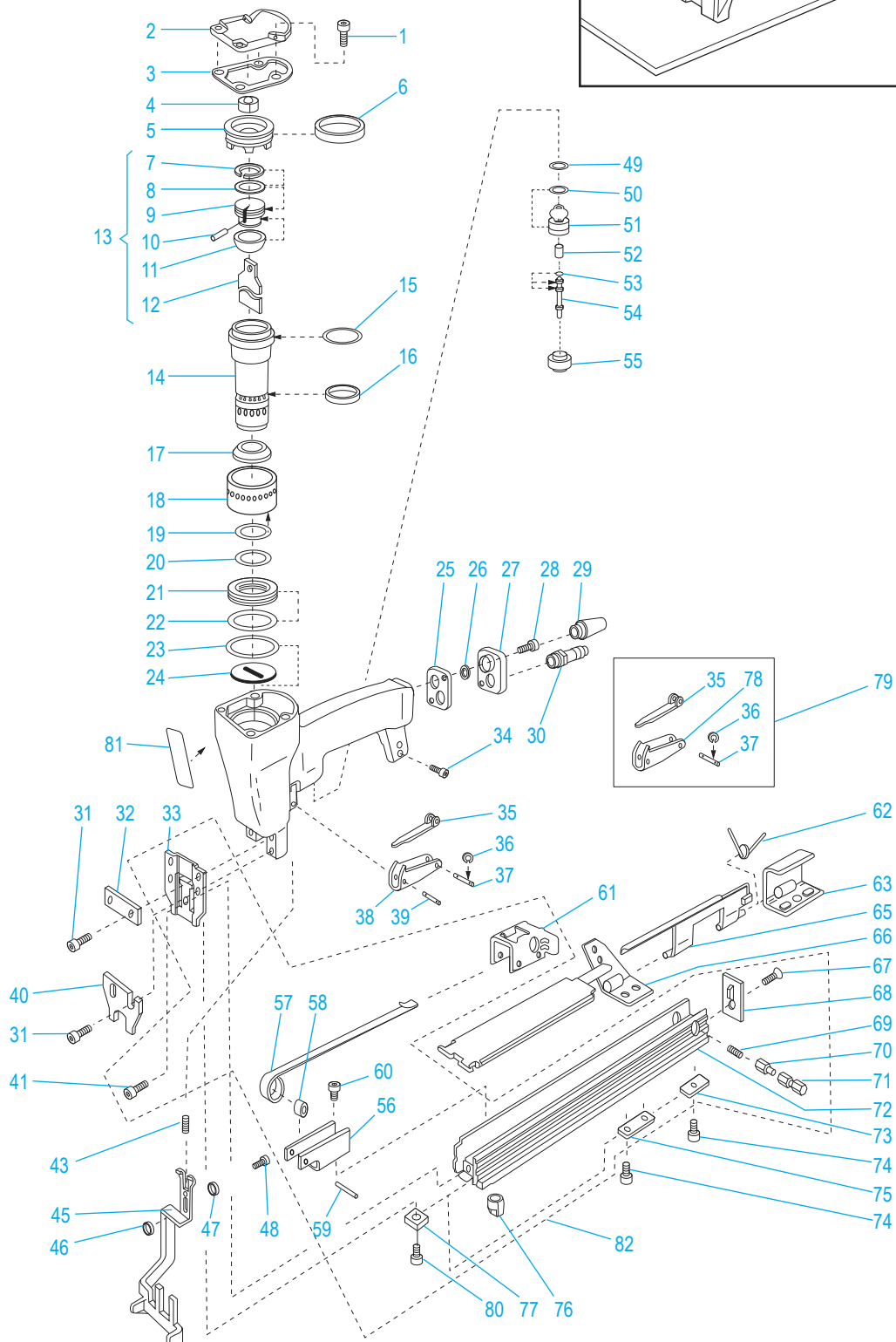
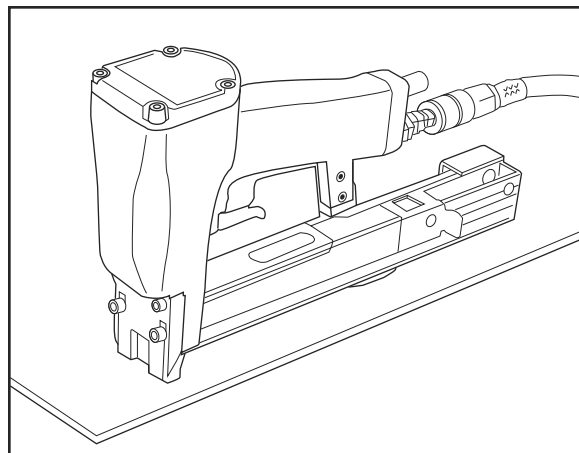


ULINE H-3535 KIHBERG JK35-590 WIDE CROWN PNEUMATIC TACKER

1-800-295-5510
uline.com



ULINE H-3535
KIHLBERG JK35-590
WIDE CROWN
PNEUMATIC TACKER

1-800-295-5510
 uline.com

| # | DESCRIPTION | QTY. | ULINE PART NO. | MFG. PART NO. |
|-----|---------------------|------|----------------|---------------|
| 1 | Screw | 4 | H-3533-1 | 946657 |
| 2 | Cap | 1 | ----- | 139486 |
| 3 | Gasket | 1 | H-3533-3 | 148034 |
| 4 | O-Ring | 1 | ----- | 972185 |
| 5 | Cylinder Cap | 1 | ----- | 132322 |
| 6 | Seal | 1 | ----- | 148040 |
| 7 | Glide Ring | 2 | ----- | 972110 |
| 8 | O-Ring | 2 | ----- | 972119 |
| 9 | Piston | 1 | ----- | 191143 |
| 10 | Driver Pin | 1 | ----- | 145117 |
| 11 | Upper Bumper | 1 | ----- | 149088 |
| 12 | Driver Blade | 1 | ----- | 164116 |
| 13 | Piston With Driver | 1 | ----- | 134266 |
| 14 | Cylinder | 1 | ----- | 190159 |
| 15 | O-Ring | 1 | ----- | 972115 |
| 16 | Seal For Back Valve | 1 | ----- | 148035 |
| 17 | Lower Bumper | 1 | H-3533-17 | 149087 |
| 18 | Cage | 1 | ----- | 150295 |
| 19 | O-Ring | 1 | ----- | 972118 |
| 20 | O-Ring | 1 | ----- | 972117 |
| 21 | Cylinder Ring | 1 | ----- | 150294 |
| 22 | O-Ring | 1 | ----- | 972116 |
| 23 | O-Ring | 2 | ----- | 972114 |
| 24 | Bottom Washer | 1 | H-3533-24 | 147093 |
| 25 | Gasket | 1 | ----- | 148033 |
| 26 | O-Ring | 1 | ----- | 972058 |
| 27 | Cap | 1 | H-3533-CAP | 179058 |
| 28 | Screw | 2 | ----- | 946512 |
| 29 | Sound Absorber | 1 | ----- | 971003 |
| 30* | Nipple | 1 | ----- | 987026 |
| 31 | Screw | 4 | ----- | 946699 |
| 32 | Front Nozzle Plate | 1 | ----- | 162694 |
| 33 | Rear Nozzle Plate | 1 | ----- | 162774 |
| 34 | Screw | 2 | ----- | 946511 |
| 35 | Inner Trigger | 1 | ----- | 165083 |
| 36 | Retainer | 2 | ----- | 951042 |
| 37 | Pin | 1 | ----- | 145119 |
| 38 | Trigger | 1 | ----- | 165084 |
| 39 | Tension Pin | 1 | ----- | 945039 |

* #30 does not come standard on H-3535.

ULINE H-3535
KIHLBERG JK35-590
WIDE CROWN
PNEUMATIC TACKER

1-800-295-5510
 uline.com

| # | DESCRIPTION | QTY. | ULINE PART NO. | MFG. PART NO. |
|----|---------------------|------|----------------|---------------|
| 40 | Door | 1 | ----- | 162769 |
| 41 | Screw | 1 | H-3533-1 | 946657 |
| 43 | Spring | 1 | H-3535-STYSP | 173126 |
| 45 | Safety | 1 | H-3535-45 | 134259 |
| 46 | Spacer | 1 | ----- | 147090 |
| 47 | Guide | 1 | ----- | 147089 |
| 48 | Screw | 1 | ----- | 946687 |
| 49 | O-Ring | 1 | ----- | 972030 |
| 50 | O-Ring | 1 | ----- | 972039 |
| 51 | Valve Cage | 1 | ----- | 191084 |
| 52 | Spring | 1 | ----- | 173066 |
| 53 | O-Ring | 2 | ----- | 972121 |
| 54 | Valve Stem | 1 | ----- | 191153 |
| 55 | Nut | 1 | ----- | 146102 |
| 56 | Spring House | 1 | H-3533-50 | 156946 |
| 57 | Feeder Spring | 1 | H-3535-SPRNG | 174057 |
| 58 | Spring Center | 1 | H-3533-48 | 150291 |
| 59 | Spring Roller Shaft | 1 | H-3533-51 | 145134 |
| 60 | Screw | 1 | H-3533-49 | 946702 |
| 61 | Pusher | 1 | ----- | 161247 |
| 62 | Spring | 1 | H-3535-CVRSP | 174058 |
| 63 | Cover Holder | 1 | ----- | 135145 |
| 65 | Cover | 1 | ----- | 134194 |
| 66 | Staple Shield | 1 | ----- | 134263 |
| 67 | Screw | 1 | ----- | 946663 |
| 68 | Pusher Stop | 1 | ----- | 160124 |
| 69 | Lock Spring | 1 | ----- | 173052 |
| 70 | Lock Piston | 1 | ----- | 160123 |
| 71 | Lock Cage | 1 | ----- | 150311 |
| 72 | Rail | 1 | ----- | 162775 |
| 73 | Nut | 1 | ----- | 146202 |
| 74 | Screw | 3 | ----- | 946697 |
| 75 | Nut | 1 | ----- | 146201 |
| 76 | Nut | 1 | ----- | 146211 |
| 77 | Nut | 1 | ----- | 146212 |
| 78 | Trigger | 1 | ----- | 165082 |
| 79 | Trigger | 1 | ----- | 134220 |

ULINE H-3535
KIHLBERG JK35-590
WIDE CROWN
PNEUMATIC TACKER

1-800-295-5510
uline.com

| # | DESCRIPTION | QTY. | ULINE PART NO. | MFG. PART NO. |
|----|---|------|----------------|---------------|
| 80 | Screw | 1 | ----- | 946700 |
| 81 | Warning Label | 1 | ----- | 110074 |
| 82 | Rail | 1 | ----- | 132321 |
| A | O-Ring Kit: Includes Parts 4, 8, 15, 19, 20, 22, 23, 26, 49, 50, 53 | 1 | ----- | 143049 |
| B | Repair Kit: Includes Parts 4, 8, 13, 15, 19, 20, 22, 23, 26, 29, 49, 50, 53, 57, 81 | 1 | H-3535-HDWR | 143069 |

ULINE H-3535

KIHLBERG JK35-590

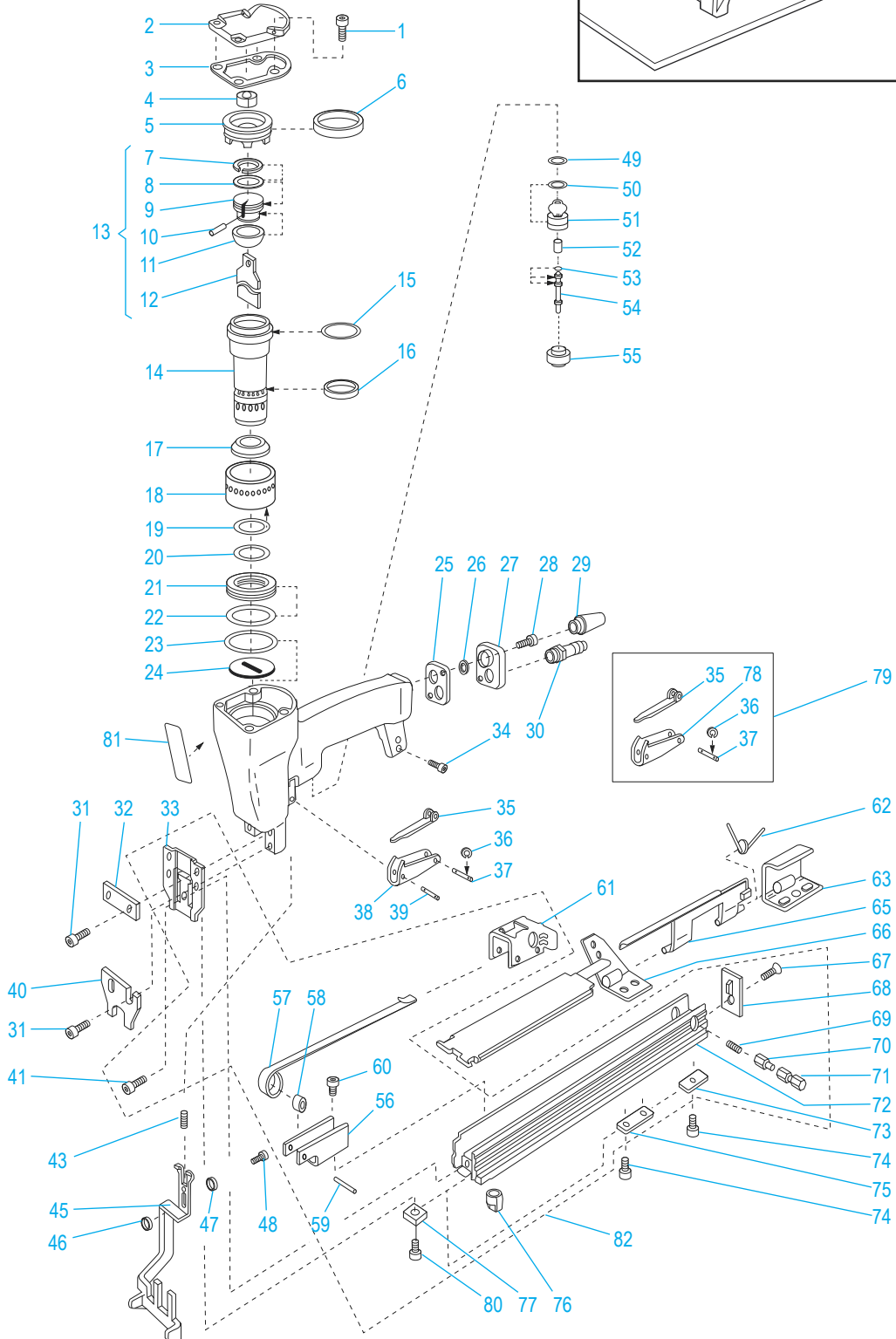
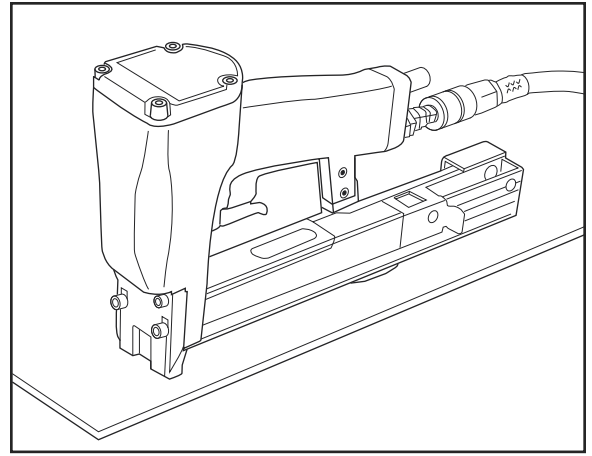
ENGRAPADORA

NEUMÁTICA DE

CORONA ANCHA

01-800-295-5510

uline.mx



ULINE H-3535**KIHLBERG JK35-590
ENGRAPADORA
NEUMÁTICA DE
CORONA ANCHA**

01-800-295-5510

uline.mx

| # | DESCRIPCIÓN | CANT. | NO. DE PARTE DE ULINE | NO. DE PARTE DEL FABRICANTE |
|-----|----------------------------|-------|-----------------------|-----------------------------|
| 1 | Tornillo | 4 | H-3533-1 | 946657 |
| 2 | Tapa | 1 | ----- | 139486 |
| 3 | Junta | 1 | H-3533-3 | 148034 |
| 4 | Anillo-O | 1 | ----- | 972185 |
| 5 | Tapa de Cilindro | 1 | ----- | 132322 |
| 6 | Sello | 1 | ----- | 148040 |
| 7 | Anillo Deslizable | 2 | ----- | 972110 |
| 8 | Anillo-O | 2 | ----- | 972119 |
| 9 | Pistón | 1 | ----- | 191143 |
| 10 | Clavija impulsora | 1 | ----- | 145117 |
| 11 | Tope Superior | 1 | ----- | 149088 |
| 12 | Hoja Conductora | 1 | ----- | 164116 |
| 13 | Pistón con Impulsor | 1 | ----- | 134266 |
| 14 | Cilindro | 1 | ----- | 190159 |
| 15 | Anillo-O | 1 | ----- | 972115 |
| 16 | Sello para Válvula Trasera | 1 | ----- | 148035 |
| 17 | Tope Inferior | 1 | H-3533-17 | 149087 |
| 18 | Jaula | 1 | ----- | 150295 |
| 19 | Anillo-O | 1 | ----- | 972118 |
| 20 | Anillo-O | 1 | ----- | 972117 |
| 21 | Anillo Cilíndrico | 1 | ----- | 150294 |
| 22 | Anillo-O | 1 | ----- | 972116 |
| 23 | Anillo-O | 2 | ----- | 972114 |
| 24 | Rondana Inferior | 1 | H-3533-24 | 147093 |
| 25 | Junta | 1 | ----- | 148033 |
| 26 | Anillo-O | 1 | ----- | 972058 |
| 27 | Tapa | 1 | H-3533-CAP | 179058 |
| 28 | Tornillo | 2 | ----- | 946512 |
| 29 | Amortiguador de Ruidos | 1 | ----- | 971003 |
| 30* | Niple | 1 | ----- | 987026 |
| 31 | Tornillo | 4 | ----- | 946699 |
| 32 | Placa con Boquilla Frontal | 1 | ----- | 162694 |
| 33 | Placa con Boquilla Trasera | 1 | ----- | 162774 |
| 34 | Tornillo | 2 | ----- | 946511 |
| 35 | Gatillo Interno | 1 | ----- | 165083 |
| 36 | Retenedor | 2 | ----- | 951042 |
| 37 | Perno | 1 | ----- | 145119 |
| 38 | Gatillo | 1 | ----- | 165084 |
| 39 | Perno de Tensión | 1 | ----- | 945039 |

* El #30 no viene estándar en el H-3535.

ULINE H-3535**KIHLBERG JK35-590
ENGRAPADORA
NEUMÁTICA DE
CORONA ANCHA**

01-800-295-5510

uline.mx

| # | DESCRIPCIÓN | CANT. | NO. DE PARTE DE ULINE | NO. DE PARTE DEL FABRICANTE |
|----|-----------------------------|-------|-----------------------|-----------------------------|
| 40 | Puerta | 1 | ----- | 162769 |
| 41 | Tornillo | 1 | H-3533-1 | 946657 |
| 43 | Resorte | 1 | H-3535-STYSP | 173126 |
| 45 | Seguridad | 1 | H-3535-45 | 134259 |
| 46 | Separador | 1 | ----- | 147090 |
| 47 | Guía | 1 | ----- | 147089 |
| 48 | Tornillo | 1 | ----- | 946687 |
| 49 | Anillo-O | 1 | ----- | 972030 |
| 50 | Anillo-O | 1 | ----- | 972039 |
| 51 | Jaula de la Válvula | 1 | ----- | 191084 |
| 52 | Resorte | 1 | ----- | 173066 |
| 53 | Anillo-O | 2 | ----- | 972121 |
| 54 | Vástago de la Válvula | 1 | ----- | 191153 |
| 55 | Tuerca | 1 | ----- | 146102 |
| 56 | Cubierta del Resorte | 1 | H-3533-50 | 156946 |
| 57 | Resorte Alimentador | 1 | H-3535-SPRNG | 174057 |
| 58 | Centro del Resorte | 1 | H-3533-48 | 150291 |
| 59 | Eje del Rodillo del Resorte | 1 | H-3533-51 | 145134 |
| 60 | Tornillo | 1 | H-3533-49 | 946702 |
| 61 | Impulsor | 1 | ----- | 161247 |
| 62 | Resorte | 1 | H-3535-CVRSP | 174058 |
| 63 | Soporte de Cubierta | 1 | ----- | 135145 |
| 65 | Cubierta | 1 | ----- | 134194 |
| 66 | Protector de Grapas | 1 | ----- | 134263 |
| 67 | Tornillo | 1 | ----- | 946663 |
| 68 | Tope de Impulsor | 1 | ----- | 160124 |
| 69 | Resorte de Presión | 1 | ----- | 173052 |
| 70 | Pistón de Cierre | 1 | ----- | 160123 |
| 71 | Jaula de Cierre | 1 | ----- | 150311 |
| 72 | Riel | 1 | ----- | 162775 |
| 73 | Tuerca | 1 | ----- | 146202 |
| 74 | Tornillo | 3 | ----- | 946697 |
| 75 | Tuerca | 1 | ----- | 146201 |
| 76 | Tuerca | 1 | ----- | 146211 |
| 77 | Tuerca | 1 | ----- | 146212 |
| 78 | Gatillo | 1 | ----- | 165082 |
| 79 | Gatillo | 1 | ----- | 134220 |

ULINE H-3535
KIHLBERG JK35-590
ENGRAPADORA
NEUMÁTICA DE
CORONA ANCHA

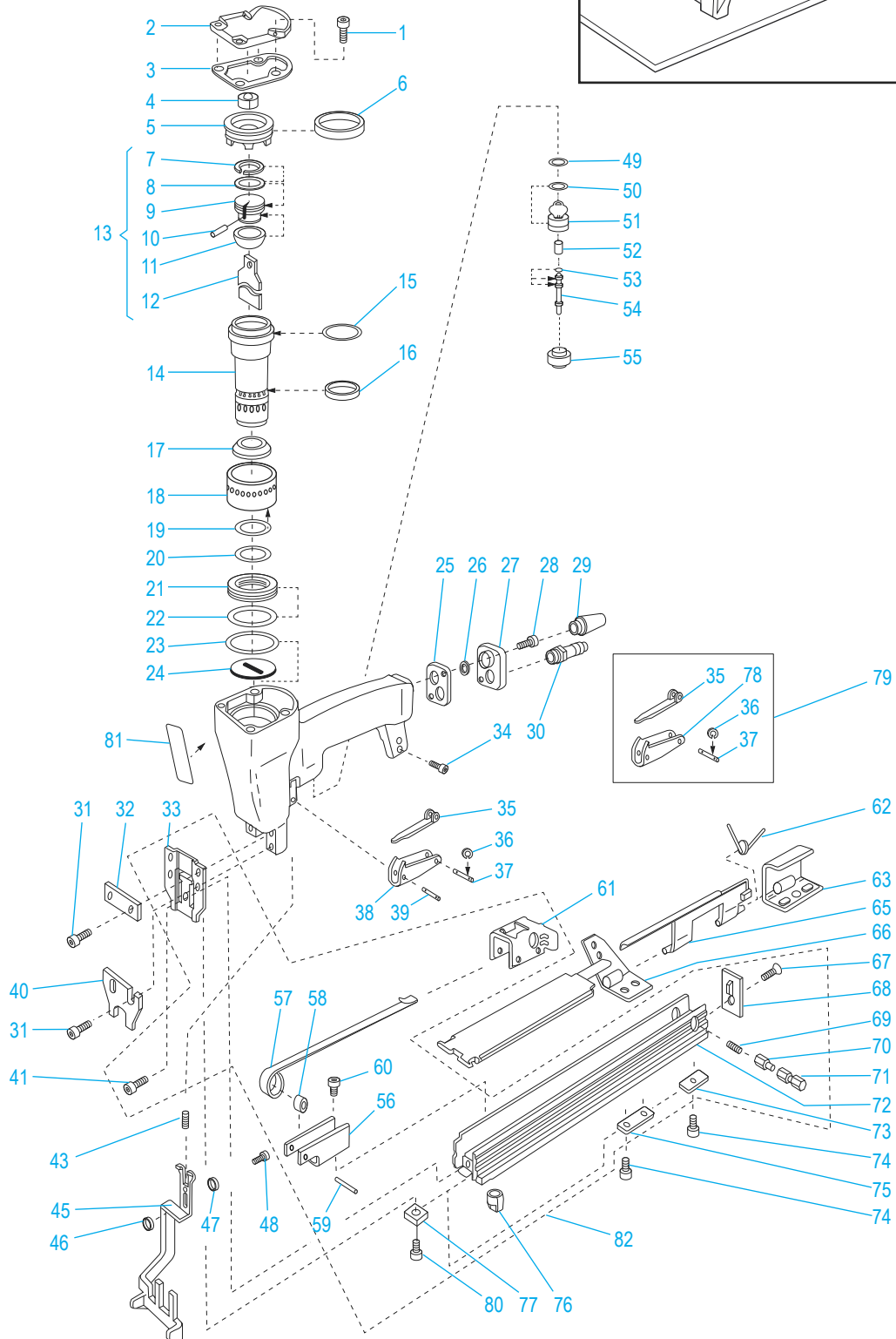
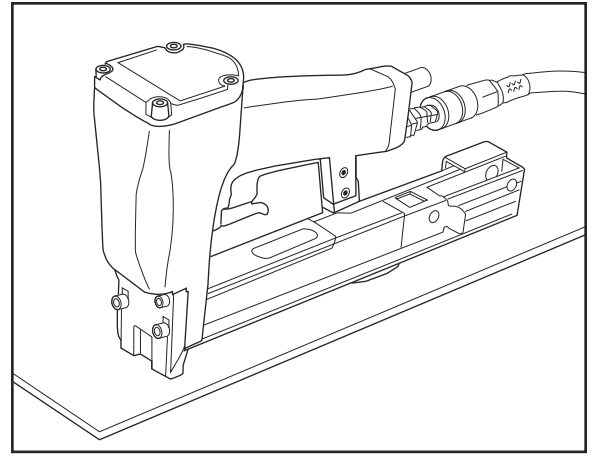
01-800-295-5510
 uline.mx

| # | DESCRIPCIÓN | CANT. | NO. DE PARTE DE ULINE | NO. DE PARTE DEL FABRICANTE |
|----|---|-------|-----------------------|-----------------------------|
| 80 | Tornillo | 1 | ----- | 946700 |
| 81 | Etiqueta de Advertencia | 1 | ----- | 110074 |
| 82 | Riel | 1 | ----- | 132321 |
| A | Kit de Anillo-O: Incluye Partes 4, 8, 15, 19, 20, 22, 23, 26, 49, 50, 53 | 1 | ----- | 143049 |
| B | Kit de Reparaciones Incluye Partes 4, 8, 13, 15, 19, 20, 22, 23, 26, 29, 49, 50, 53, 57, 81 | 1 | H-3535-HDWR | 143069 |

ULINE H-3535

**KIHLBERG –
AGRAFEUSE-CLOUEUSE
JK35T-590 À LARGE
COURONNE**

1-800-295-5510
uline.ca



ULINE H-3535**KIHLBERG –
AGRAFEUSE-CLOUEUSE
JK35T-590 À LARGE
COURONNE**

1-800-295-5510

uline.ca

| # | DESCRIPTION | QTÉ | RÉF. ULINE | RÉF. DU FABRICANT |
|-----|---------------------------------------|-----|------------|-------------------|
| 1 | Vis | 4 | H-3533-1 | 946657 |
| 2 | Coiffe | 1 | ----- | 139486 |
| 3 | Joint d'étanchéité | 1 | H-3533-3 | 148034 |
| 4 | Joint torique | 1 | ----- | 972185 |
| 5 | Coiffe de cylindre | 1 | ----- | 132322 |
| 6 | Bague d'étanchéité | 1 | ----- | 148040 |
| 7 | Bague de glissage | 2 | ----- | 972110 |
| 8 | Joint torique | 2 | ----- | 972119 |
| 9 | Piston | 1 | ----- | 191143 |
| 10 | Tige de propulsion | 1 | ----- | 145117 |
| 11 | Butoir supérieur | 1 | ----- | 149088 |
| 12 | Lame de poussée | 1 | ----- | 164116 |
| 13 | Piston avec lame de poussée | 1 | ----- | 134266 |
| 14 | Cylindre | 1 | ----- | 190159 |
| 15 | Joint torique | 1 | ----- | 972115 |
| 16 | Bague d'étanchéité pour soupape noire | 1 | ----- | 148035 |
| 17 | Butoir inférieur | 1 | H-3533-17 | 149087 |
| 18 | Cage | 1 | ----- | 150295 |
| 19 | Joint torique | 1 | ----- | 972118 |
| 20 | Joint torique | 1 | ----- | 972117 |
| 21 | Anneau de piston | 1 | ----- | 150294 |
| 22 | Joint torique | 1 | ----- | 972116 |
| 23 | Joint torique | 2 | ----- | 972114 |
| 24 | Rondelle inférieure | 1 | H-3533-24 | 147093 |
| 25 | Joint d'étanchéité | 1 | ----- | 148033 |
| 26 | Joint torique | 1 | ----- | 972058 |
| 27 | Coiffe | 1 | H-3533-CAP | 179058 |
| 28 | Vis | 2 | ----- | 946512 |
| 29 | Amortisseur de bruit | 1 | ----- | 971003 |
| 30* | Mamelon | 1 | ----- | 987026 |
| 31 | Vis | 4 | ----- | 946699 |
| 32 | Plaque à buse avant | 1 | ----- | 162694 |
| 33 | Plaque à buse arrière | 1 | ----- | 162774 |
| 34 | Vis | 2 | ----- | 946511 |
| 35 | Détente interne | 1 | ----- | 165083 |
| 36 | Arrêtoir | 2 | ----- | 951042 |
| 37 | Tige | 1 | ----- | 145119 |
| 38 | Détente | 1 | ----- | 165084 |
| 39 | Axe de tension | 1 | ----- | 945039 |

* N° 30 n'est pas inclus avec le « H-3535 ».

**KIHLBERG –
AGRAFEUSE-CLOUEUSE
JK35T-590 À LARGE
COURONNE**

| # | DESCRIPTION | QTÉ | RÉF. ULINE | RÉF. DU FABRICANT |
|----|-------------------------------------|-----|--------------|-------------------|
| 40 | Porte | 1 | ----- | 162769 |
| 41 | Vis | 1 | H-3533-1 | 946657 |
| 43 | Ressort | 1 | H-3535-STYSP | 173126 |
| 45 | Mécanisme de sécurité | 1 | H-3535-45 | 134259 |
| 46 | Entretoise | 1 | ----- | 147090 |
| 47 | Guide | 1 | ----- | 147089 |
| 48 | Vis | 1 | ----- | 946687 |
| 49 | Joint torique | 1 | ----- | 972030 |
| 50 | Joint torique | 1 | ----- | 972039 |
| 51 | Cage de soupape | 1 | ----- | 191084 |
| 52 | Ressort | 1 | ----- | 173066 |
| 53 | Joint torique | 2 | ----- | 972121 |
| 54 | Tige de soupape | 1 | ----- | 191153 |
| 55 | Écrou | 1 | ----- | 146102 |
| 56 | Boîtier de ressort | 1 | H-3533-50 | 156946 |
| 57 | Ressort du mécanisme d'alimentation | 1 | H-3535-SPRNG | 174057 |
| 58 | Axe vertical de ressort | 1 | H-3533-48 | 150291 |
| 59 | Arbre de rouleaux à ressorts | 1 | H-3533-51 | 145134 |
| 60 | Vis | 1 | H-3533-49 | 946702 |
| 61 | Pousseur | 1 | ----- | 161247 |
| 62 | Ressort | 1 | H-3535-CVRSP | 174058 |
| 63 | Support de couvercle | 1 | ----- | 135145 |
| 65 | Couvercle | 1 | ----- | 134194 |
| 66 | Écran de protection pour agrafes | 1 | ----- | 134263 |
| 67 | Vis | 1 | ----- | 946663 |
| 68 | Butée du pousseur | 1 | ----- | 160124 |
| 69 | Ressort de verrouillage | 1 | ----- | 173052 |
| 70 | Piston de verrouillage | 1 | ----- | 160123 |
| 71 | Cage de verrouillage | 1 | ----- | 150311 |
| 72 | Rail | 1 | ----- | 162775 |
| 73 | Écrou | 1 | ----- | 146202 |
| 74 | Vis | 3 | ----- | 946697 |
| 75 | Écrou | 1 | ----- | 146201 |
| 76 | Écrou | 1 | ----- | 146211 |
| 77 | Écrou | 1 | ----- | 146212 |

ULINE H-3535

**KIHLBERG –
AGRAFEUSE-CLOUEUSE
JK35T-590 À LARGE
COURONNE**

1-800-295-5510
uline.ca

| # | DESCRIPTION | QTÉ | RÉF. ULINE | RÉF. DU FABRICANT |
|----|---|-----|-------------|-------------------|
| 78 | Détente | 1 | ----- | 165082 |
| 79 | Détente | 1 | ----- | 134220 |
| 80 | Vis | 1 | ----- | 946700 |
| 81 | Étiquette d'avertissement | 1 | ----- | 110074 |
| 82 | Rail | 1 | ----- | 132321 |
| A | Jeu de joints toriques : comprend les pièces 4, 8, 15, 19, 20, 22, 23, 26, 49, 50, 53 | 1 | ----- | 143049 |
| B | Nécessaire de réparation : comprend les pièces 4, 8, 13, 15, 19, 20, 22, 23, 26, 29, 49, 50, 53, 57, 81 | 1 | H-3535-HDWR | 143069 |