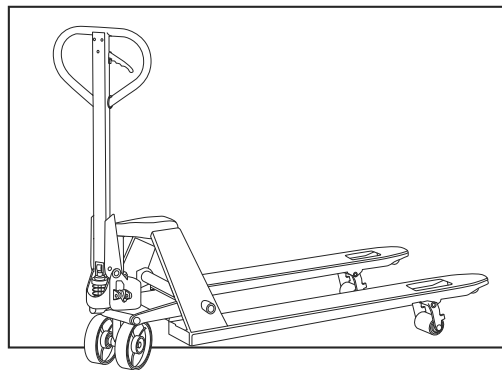


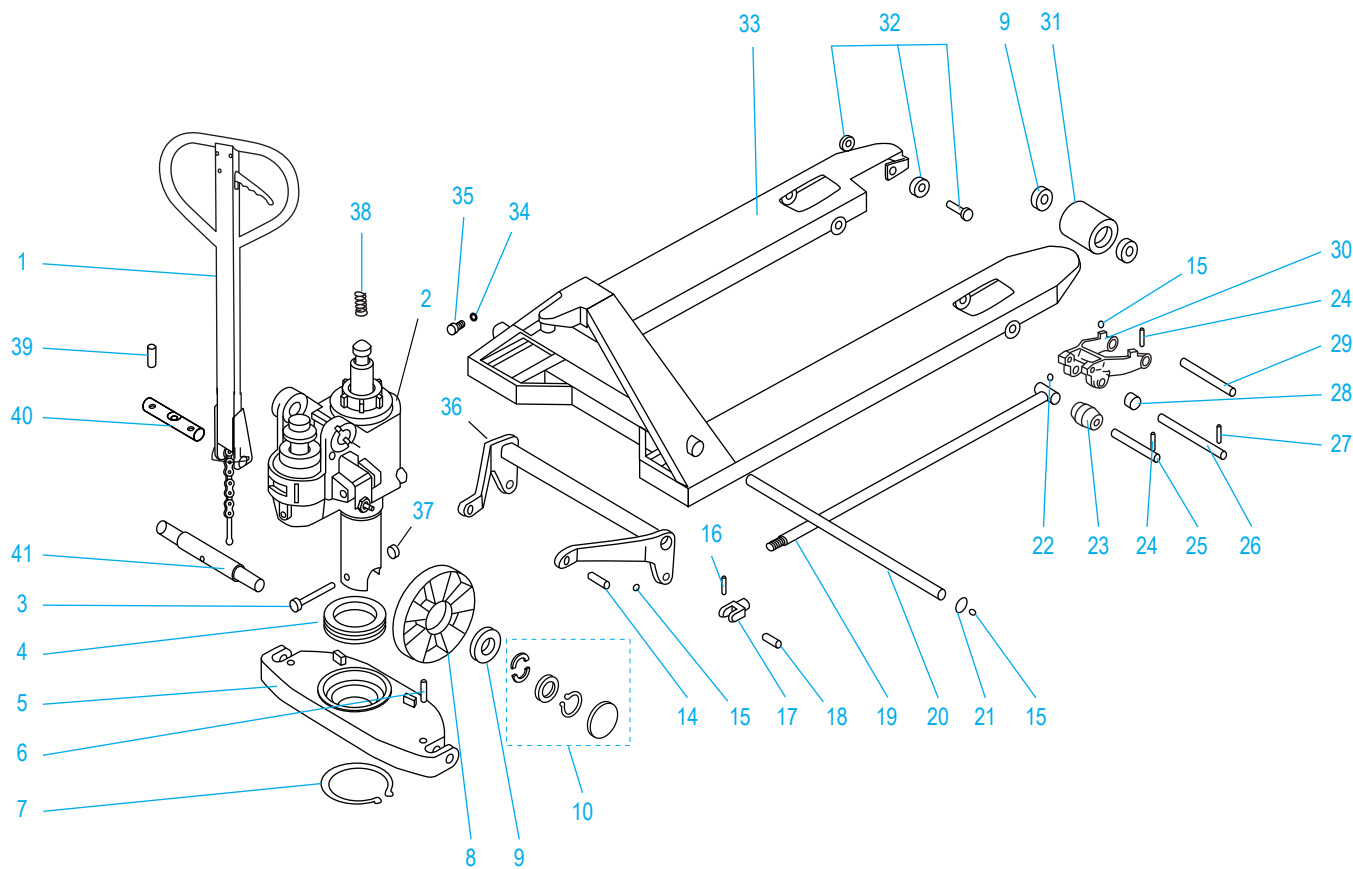
ULINE H-4803

42 x 27" SHORT PALLET TRUCK

1-800-295-5510
uline.com



FRAME DIAGRAM



FRAME DIAGRAM PARTS LIST

| # | DESCRIPTION | QTY. | ULINE PART NO. | MFG. PART NO. |
|---|-------------------------|------|----------------|---------------|
| 1 | Handle Assembly | 1 | H-1043-SHC | B1 |
| 2 | Pump (Standard) | 1 | H-1043PUMP | PUMP STAND |
| 3 | Bolt | 1 | H-1365-B3 | B3 |
| 4 | Bearing | 1 | H-1365-B4 | B4 |
| 5 | Supporting Base | 1 | H-1043-B5 | B5 |
| 6 | Spring Pin | 2 | H-1365-B6 | B6 |
| 7 | Retaining Ring for Axle | 1 | H-1043-B7 | B7 |
| 8 | Big (Steering) Wheel | 2 | H-1043-B8 | B8 |

**42 x 27" SHORT
PALLET TRUCK**

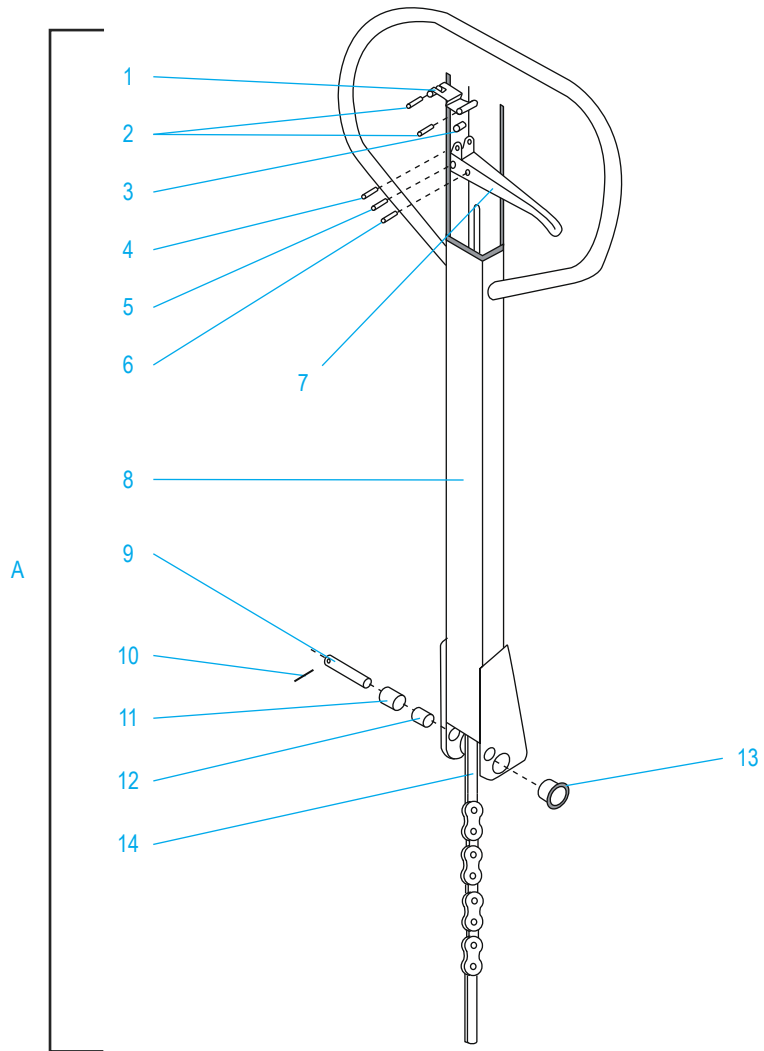
FRAME DIAGRAM PARTS LIST CONTINUED

| # | DESCRIPTION | QTY. | ULINE PART NO. | MFG. PART NO. |
|----|---|------|----------------|----------------|
| 9 | Bearing | 8 | H-1043-B9 | B9 |
| 10 | Big (Steering) Wheel Hardware Kit Includes: • Half Cirque (4) • Bowl Washer (2) • Retaining Ring for Axle (2) • Dust Cover (2) | 1 | H-6017 | B10-B13 |
| 14 | Pin | 2 | H-1043-B14 | B14 |
| 15 | Oiler | 8 | H-1193-B15 | B15 |
| 16 | Spring Pin | 2 | H-1483-B16 | B16 |
| 17 | Joint | 2 | H-1483-B17 | B17 |
| 18 | Pin | 2 | H-1043-B18 | B18 |
| 19 | Straight Tappet | 2 | H-4803-B19 | BF42X27TAPPET |
| 20 | Long Shaft | 1 | H-1043-B20 | B20 |
| 21 | Retaining Ring for Hole | 2 | H-1043-B21 | B21 |
| 22 | Oiler | 4 | H-1043-B22 | B22 |
| 23 | Roll Sheath | 2 | H-1043-23 | B23 |
| 24 | Spring Pin – 1¼" * | 2 | ----- | ----- |
| 25 | Shaft | 2 | H-1043-25 | B25 |
| 26 | Shaft | 2 | H-1043-B26 | B26 |
| 27 | Spring Pin – 1⅜" ** | 2 | ----- | ----- |
| 28 | Roll Ring | 4 | H-1043-B28 | B28 |
| 29 | Shaft | 2 | H-1483-B29 | B29 |
| 30 | Frame of Fork (Load) Wheel | 2 | H-1043-B31 | B31 |
| 31 | Fork (Load) Wheel | 2 | H-1043-B35PU | B35 |
| 32 | Entry (Roller) Wheel Assembly Kit Includes: • Bolt (1) • Entry Roller (1) • Nut (1) | 1 | H-5634 | 2500-B36B38B39 |
| 33 | Fork Frame | 1 | ----- | BF42X27FORK |
| 34 | Spring Lock Washer | 1 | H-1043-B41 | B41 |
| 35 | Bolt | 1 | H-1043-B42 | B42 |
| 36 | Rocker Arm | 1 | H-1043-B43 | B43 |
| 37 | Nut | 1 | H-1366-B44 | B44 |
| 38 | Big Spring | 1 | H-1483-B149 | B149 |
| 39 | Spring Pin | 1 | H-1043-B117 | B117 |
| 40 | Shaft | 1 | H-1043-B118 | B118 |
| 41 | Big (Steering) Wheel Shaft | 1 | H-1366-B2 | B2 |
| | Replacement Fork (Load) Wheel With Bearings Kit Includes: • Fork (Load) Wheel #31 (1) • Bearing #9 (2) | 1 | H-1043-WHKIT | ----- |
| | *Replacement Spring Pins #24 – 1¼" | 8 | H-5632 | BF2500-B24X8 |
| | **Replacement Spring Pins #27 – 1⅜" | 8 | H-5631 | BF2500-B27X8 |

ULINE H-4803
42 x 27" SHORT
PALLET TRUCK

1-800-295-5510
 uline.com

HANDLE DIAGRAM



HANDLE DIAGRAM PARTS LIST

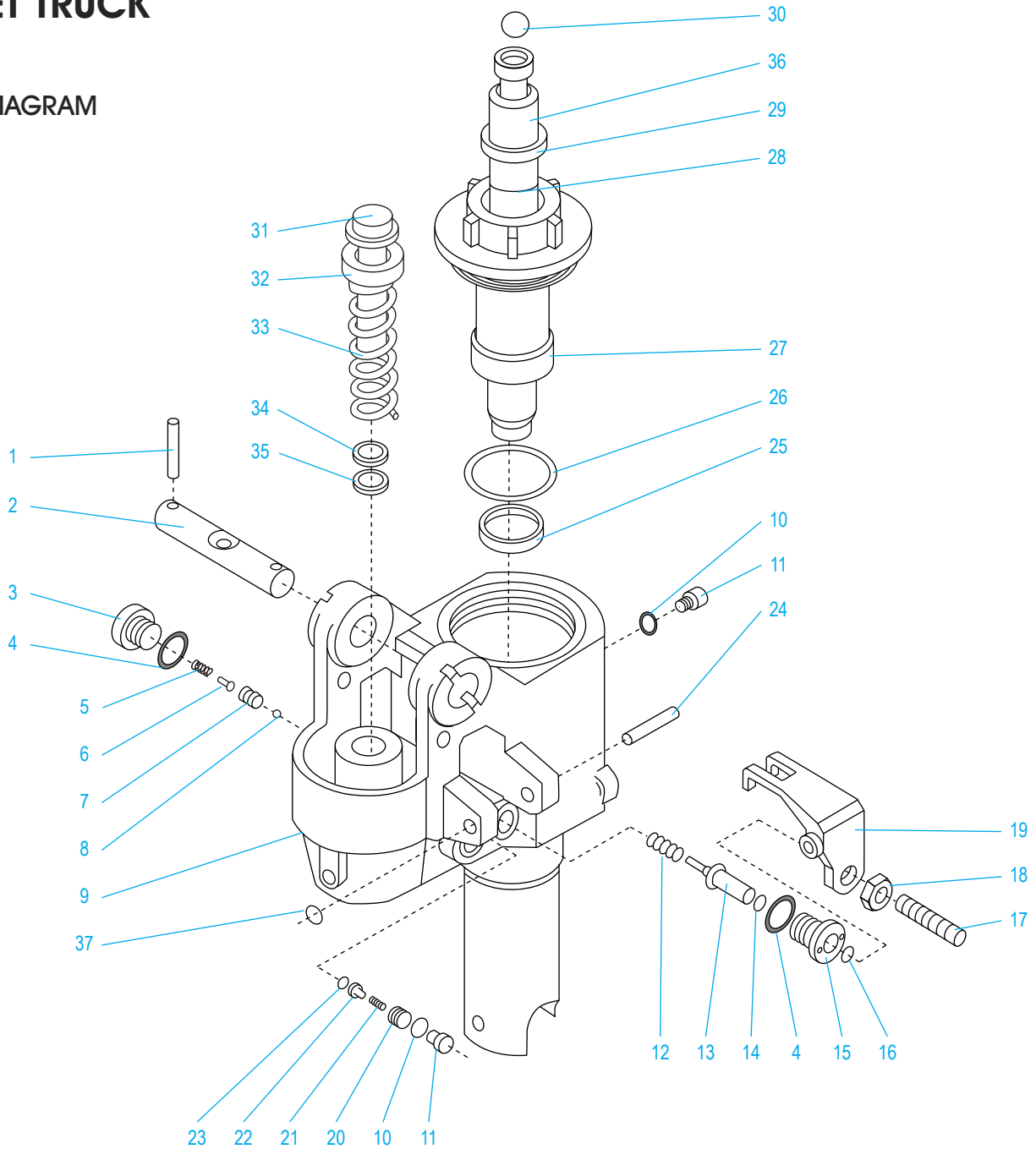
| # | DESCRIPTION | QTY. | ULINE PART NO. | MFG. PART NO. |
|----|--------------------|------|----------------|-------------------------------|
| A | Handle Assembly | 1 | H-1043-SHC | B1 |
| 1 | Blade Spring | 1 | H-1366-B101 | B101 |
| 2 | Spring Pin | 2 | H-2721-B102 | B102 |
| 3 | Roller | 1 | H-2721-B103 | B103 |
| 4 | Spring Pin | 1 | H-2721-B104 | B104 |
| 5 | Spring Pin | 1 | H-2721-B105 | B105 |
| 6 | Spring Pin | 1 | H-2721-B106 | B106 |
| 7 | Handle | 1 | H-1043-B107 | B107 |
| 8 | Handle Tube | 1 | ----- | B108 |
| 9 | Shaft | 1 | H-1043-109 | B109 |
| 10 | Spring Pin | 1 | H-1043-B110 | B110 |
| 11 | Pressure Roller | 1 | H-1043-B111 | B111 |
| 12 | Bushing | 1 | H-1043-B112 | B112 |
| 13 | Bushing | 2 | H-1043-B114 | B114 |
| 14 | Pull Pole Assembly | 1 | H-1043-B113 | H-1043-B113+B115+B116ASSEMBLY |

ULINE H-4803

42 x 27" SHORT PALLET TRUCK

1-800-295-5510
uline.com

PUMP DIAGRAM



PUMP DIAGRAM PARTS LIST

| # | DESCRIPTION | QTY. | ULINE PART NO. | MFG. PART NO. |
|---|---------------|------|----------------|---------------|
| 1 | Spring Pin | 2 | H-1043-B117 | B117 |
| 2 | Shaft | 1 | H-1043-B118 | B118 |
| 3 | Plug | 1 | H-1483-B119 | B119 |
| 4 | Copper Washer | 2 | H-1043-120 | B120 |

**42 x 27" SHORT
PALLET TRUCK****PUMP DIAGRAM PARTS LIST CONTINUED**

| # | DESCRIPTION | QTY. | ULINE PART NO. | MFG. PART NO. |
|----|--------------------------|------|----------------|---------------|
| 5 | Spring | 1 | H-1483-B121 | B121 |
| 6 | Spindle of Damping Valve | 1 | H-1193-B122 | B122 |
| 7 | Seat of Damping Valve | 1 | H-1193-B123 | B123 |
| 8 | Steel Ball | 1 | H-2721-B124 | B124 |
| 9 | Base | 1 | ----- | B125 |
| 10 | Copper Washer | 2 | H-1043-B126 | B126 |
| 11 | Bolt | 2 | H-1043-B127 | B127 |
| 12 | Spring | 1 | H-1193-B128 | B128 |
| 13 | Strike Pin | 1 | H-1193-B129 | B129 |
| 14 | O-Ring | 1 | H-1193-B130 | B130 |
| 15 | Axle Sleeve | 1 | H-1043-B131 | B131 |
| 16 | O-Ring | 1 | ----- | B132 |
| 17 | Bolt (Setting Screw) | 1 | H-1043-B133 | B133 |
| 18 | Nut (Setting Screw Nut) | 1 | H-1043-B134 | B134 |
| 19 | Lever | 1 | H-1043-B135 | B135 |
| 20 | Bolt | 1 | H-1043-B136 | B136 |
| 21 | Spring | 1 | H-1043-B137 | B137 |
| 22 | Ball Base | 1 | H-1043-B138 | B138 |
| 23 | Steel Ball | 1 | H-1782-B139 | B139 |
| 24 | Pin | 1 | H-1043-B140 | B140 |
| 25 | Y-Ring | 1 | H-1043-B141 | B141 |
| 26 | O-Ring | 1 | H-1043-B142 | B142 |
| 27 | Cylinder Cap | 1 | H-1043-B143 | B143 |
| 28 | O-Ring | 1 | H-1043-B144 | B144 |
| 29 | Dust Ring | 1 | H-1043-B145 | B145 |
| 30 | Steel Ball | 1 | H-1043-B146N | B146 |
| 31 | Pump Plunger | 1 | H-1366-B147 | B147 |
| 32 | Washer | 1 | ----- | B148 |
| 33 | Big Spring | 1 | H-1483-B149 | B149 |
| 34 | Dust Ring | 1 | H-1043-B150 | B150 |
| 35 | Y-Ring | 1 | H-1043-B151 | B151 |
| 36 | Piston Rod | 1 | H-1043-B152 | B152 |
| 37 | Retaining Ring for Axle | 1 | ----- | B153 |

ULINE H-4803

42 x 27" PATÍN HIDRÁULICO CORTO

01-800-295-5510
uline.mx

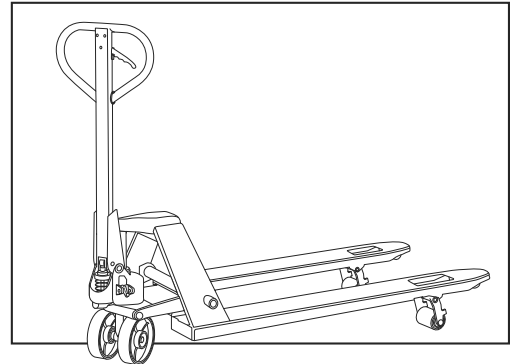
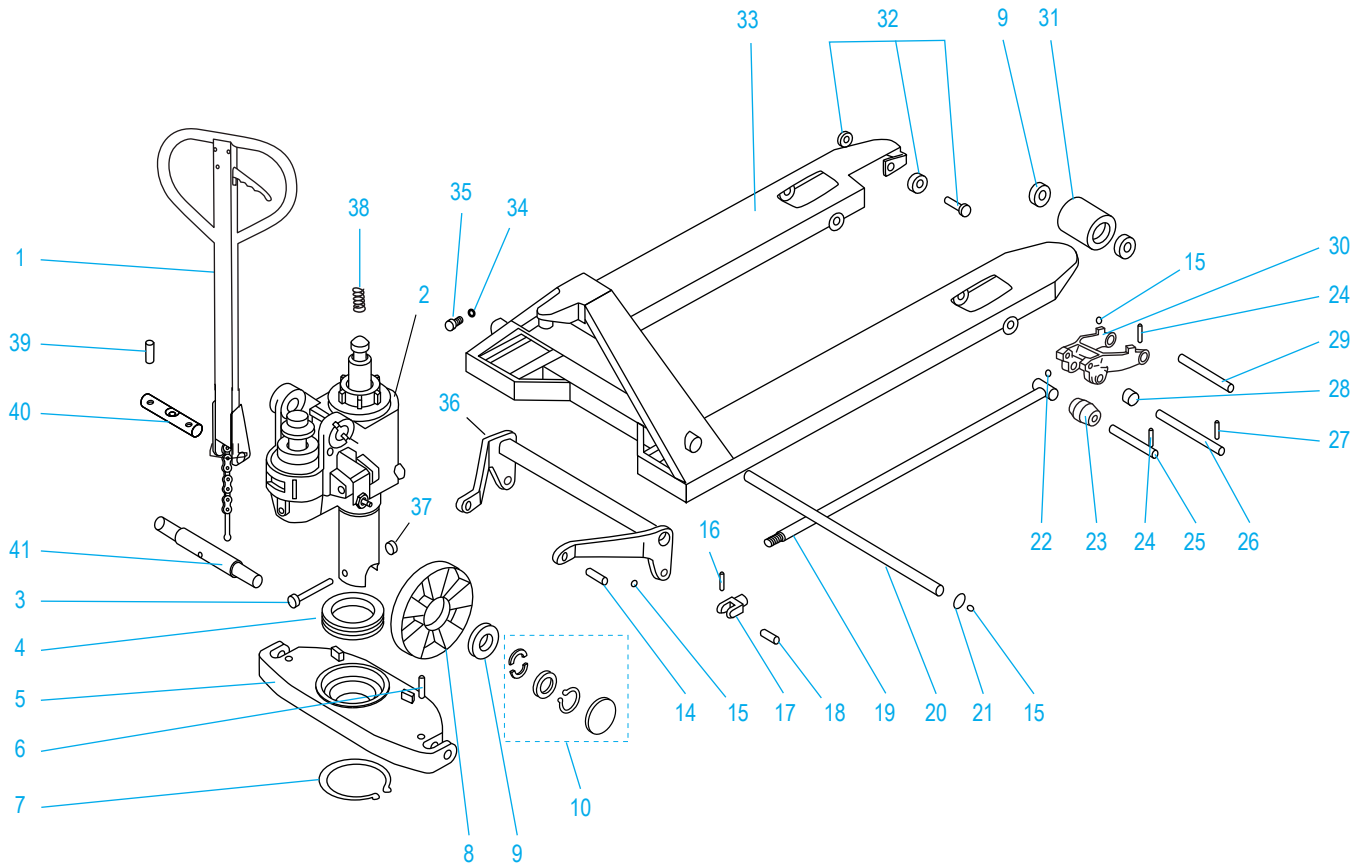


DIAGRAMA DE LA ESTRUCTURA



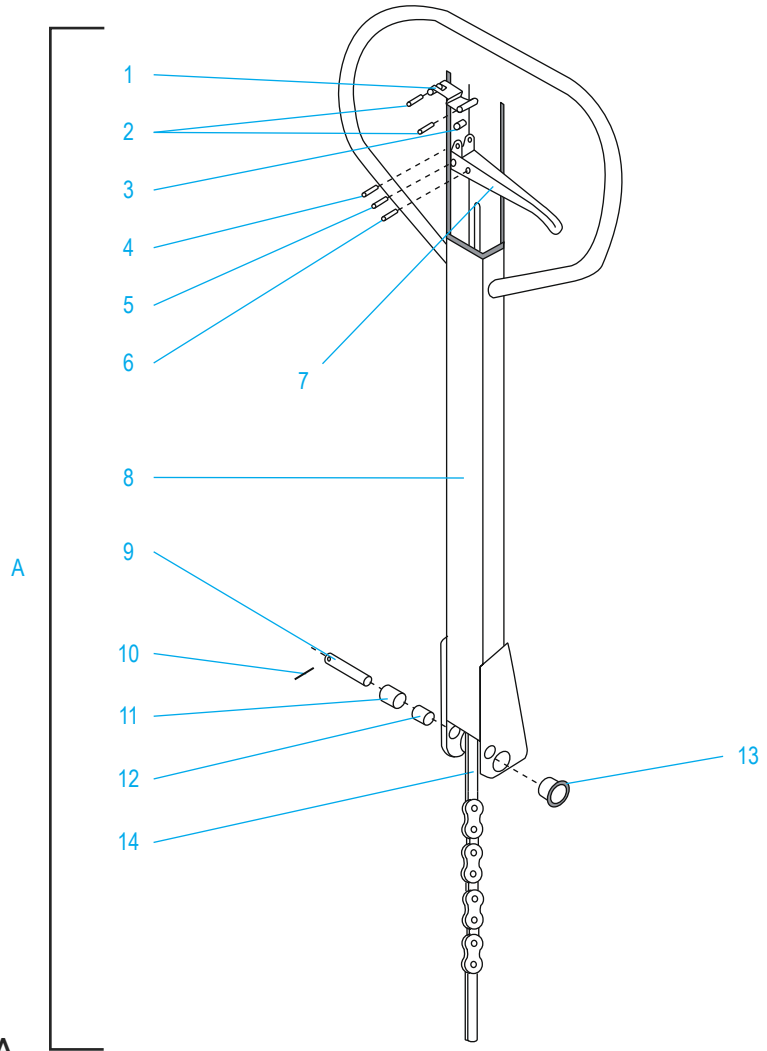
LISTA DE PARTES DEL DIAGRAMA DE LA ESTRUCTURA

| # | DESCRIPCIÓN | CANT. | NO. DE PARTE DE ULINE | NO. DE PARTE DEL FABRICANTE |
|---|----------------------|-------|-----------------------|-----------------------------|
| 1 | Ensamble del Asa | 1 | H-1043-SHC | B1 |
| 2 | Bomba (Estándar) | 1 | H-1043PUMP | PUMP STAND |
| 3 | Remache | 1 | H-1365-B3 | B3 |
| 4 | SopORTE | 1 | H-1365-B4 | B4 |
| 5 | Base de Apoyo | 1 | H-1043-B5 | B5 |
| 6 | Pasador | 2 | H-1365-B6 | B6 |
| 7 | Seguro para el Eje | 1 | H-1043-B7 | B7 |
| 8 | Llanta Grande (Guía) | 2 | H-1043-B8 | B8 |

CONTINUACIÓN DE LISTA DE PARTES DEL DIAGRAMA DE LA ESTRUCTURA

| # | DESCRIPCIÓN | CANT. | NO. DE PARTE DE ULINE | NO. DE PARTE DEL FABRICANTE |
|----|--|-------|-----------------------|-----------------------------|
| 9 | Soporte | 8 | H-1043-B9 | B9 |
| 10 | Kit de Accesorios para la Llantá Grande (Guía) Incluye: • Medio Anillo (4) • Rondana (2) • Seguro para el Eje (2) • Cubierta para Polvo (2) | 1 | H-6017 | B10-B13 |
| 14 | Perno | 2 | H-1043-B14 | B14 |
| 15 | Grasera | 8 | H-1193-B15 | B15 |
| 16 | Pasador | 2 | H-1483-B16 | B16 |
| 17 | Junta | 2 | H-1483-B17 | B17 |
| 18 | Perno | 2 | H-1043-B18 | B18 |
| 19 | Barra Recta Deslizante | 2 | H-4803-B19 | BF42X27TAPPET |
| 20 | Eje Largo | 1 | H-1043-B20 | B20 |
| 21 | Seguro para el Orificio | 2 | H-1043-B21 | B21 |
| 22 | Grasera | 4 | H-1043-B22 | B22 |
| 23 | Funda para Rodillo | 2 | H-1043-23 | B23 |
| 24 | Pasador de 1¼" * | 2 | ----- | ----- |
| 25 | Eje | 2 | H-1043-25 | B25 |
| 26 | Eje | 2 | H-1043-B26 | B26 |
| 27 | Pasador de 1⅜" ** | 2 | ----- | ----- |
| 28 | Anillo de Rodillo | 4 | H-1043-B28 | B28 |
| 29 | Eje | 2 | H-1483-B29 | B29 |
| 30 | Armazón de la Llantá de Horquilla (Carga) | 2 | H-1043-B31 | B31 |
| 31 | Llantá de Horquilla (Carga) | 2 | H-1043-B35PU | B35 |
| 32 | Kit de Ensamble de la Llantá de Entrada (Rodillo) Incluye: • 1 Perno • 1 Rodillo para Entrada • 1 Tuerca | 1 | H-5634 | 2500-B36B38B39 |
| 33 | Marco de Horquilla | 1 | ----- | BF42X27FORK |
| 34 | Rosca de Resorte | 1 | H-1043-B41 | B41 |
| 35 | Remache | 1 | H-1043-B42 | B42 |
| 36 | Brazo Oscilante | 1 | H-1043-B43 | B43 |
| 37 | Tuerca | 1 | H-1366-B44 | B44 |
| 38 | Resorte Grande | 1 | H-1483-B149 | B149 |
| 39 | Pasador | 1 | H-1043-B117 | B117 |
| 40 | Eje | 1 | H-1043-B118 | B118 |
| 41 | Eje de la Llantá Grande (Guía) | 1 | H-1366-B2 | B2 |
| | Kit de la Llantá de Repuesto de Horquilla (Carga) con Baleros Incluye: • 1 Llantá de Horquilla (Carga) #31 • Soporte #9 (2) | 1 | H-1043-WHKIT | ----- |
| | *Pasadores de Reemplazo #24 de 1¼" | 8 | H-5632 | BF2500-B24X8 |
| | **Pasadores de Reemplazo #27 de 1⅜" | 8 | H-5631 | BF2500-B27X8 |

DIAGRAMA DE LA ASA



LISTA DE PARTES DEL DIAGRAMA DE LA ASA

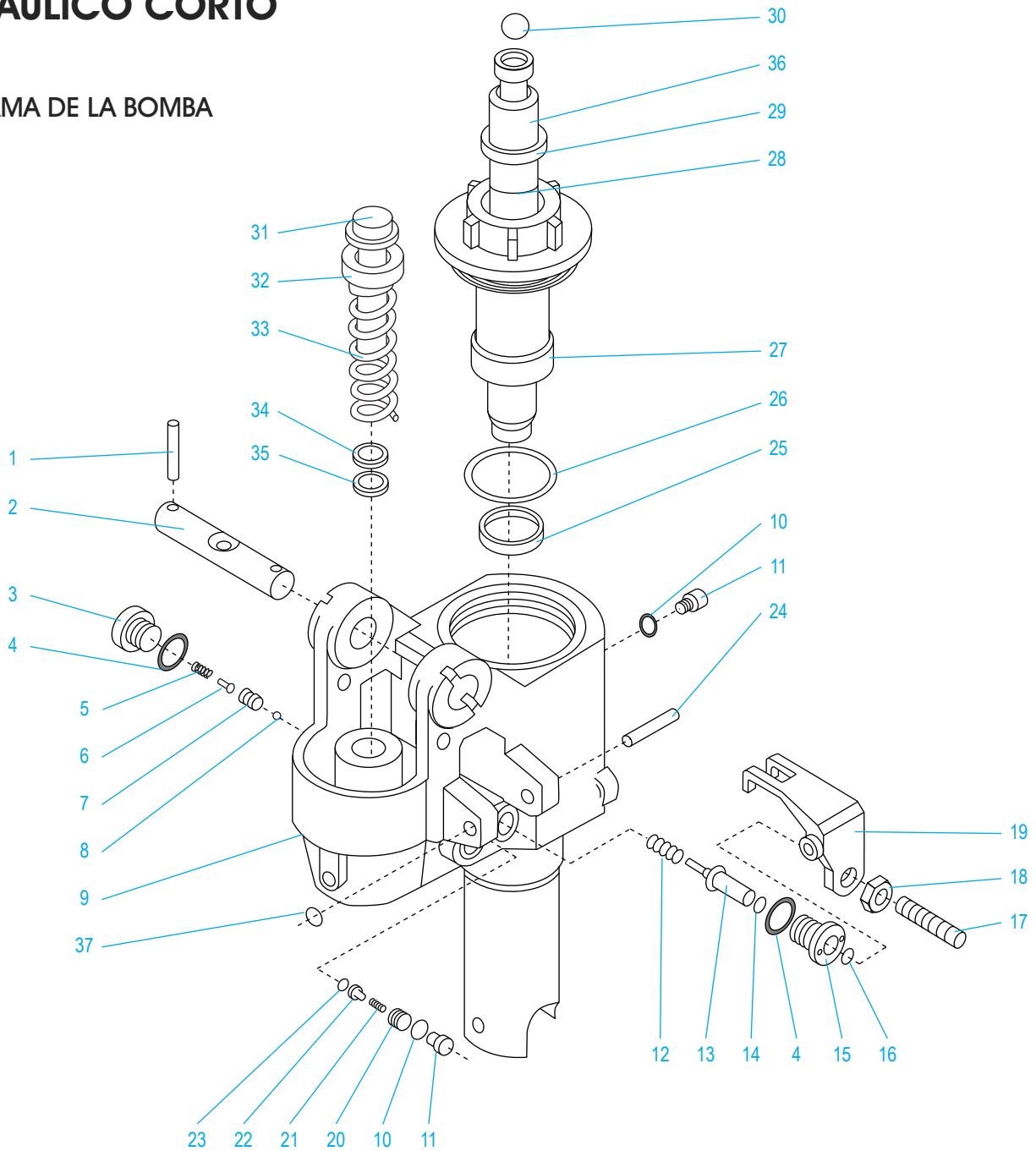
| # | DESCRIPCIÓN | CANT. | NO. DE PARTE DE ULINE | NO. DE PARTE DEL FABRICANTE |
|----|--------------------------------|-------|-----------------------|-------------------------------|
| A | Ensamble de la Asa | 1 | H-1043-SHC | B1 |
| 1 | Resorte de Lámina | 1 | H-1366-B101 | B101 |
| 2 | Pasador | 2 | H-2721-B102 | B102 |
| 3 | Rodillo | 1 | H-2721-B103 | B103 |
| 4 | Pasador | 1 | H-2721-B104 | B104 |
| 5 | Pasador | 1 | H-2721-B105 | B105 |
| 6 | Pasador | 1 | H-2721-B106 | B106 |
| 7 | Palanca | 1 | H-1043-B107 | B107 |
| 8 | Poste de Palanca | 1 | ----- | B108 |
| 9 | Eje | 1 | H-1043-109 | B109 |
| 10 | Pasador | 1 | H-1043-B110 | B110 |
| 11 | Rodillo de Presión | 1 | H-1043-B111 | B111 |
| 12 | Casquillo | 1 | H-1043-B112 | B112 |
| 13 | Casquillo | 2 | H-1043-B114 | B114 |
| 14 | Ensamble del Poste de Tracción | 1 | H-1043-B113 | H-1043-B113+B115+B116ASSEMBLY |

ULINE H-4803

42 x 27" PATÍN HIDRÁULICO CORTO

01-800-295-5510
uline.mx

DIAGRAMA DE LA BOMBA



LISTA DE PARTES DEL DIAGRAMA DE LA BOMBA

| # | DESCRIPCIÓN | CANT. | NO. DE PARTE DE ULINE | NO. DE PARTE DEL FABRICANTE |
|---|-------------------|-------|-----------------------|-----------------------------|
| 1 | Pasador | 2 | H-1043-B117 | B117 |
| 2 | Eje | 1 | H-1043-B118 | B118 |
| 3 | Tapón | 1 | H-1483-B119 | B119 |
| 4 | Rondana de Bronce | 2 | H-1043-120 | B120 |

CONTINUACIÓN DE LA LISTA DE PARTES DEL DIAGRAMA DE LA BOMBA

| # | DESCRIPCIÓN | CANT. | NO. DE PARTE DE ULINE | NO. DE PARTE DEL FABRICANTE |
|----|--|-------|-----------------------|-----------------------------|
| 5 | Resorte | 1 | H-1483-B121 | B121 |
| 6 | Cabezal de Válvula de Amortiguación | 1 | H-1193-B122 | B122 |
| 7 | Asiento de Válvula de Amortiguación | 1 | H-1193-B123 | B123 |
| 8 | Balín de Acero | 1 | H-2721-B124 | B124 |
| 9 | Base | 1 | ----- | B125 |
| 10 | Rondana de Bronce | 2 | H-1043-B126 | B126 |
| 11 | Remache | 2 | H-1043-B127 | B127 |
| 12 | Resorte | 1 | H-1193-B128 | B128 |
| 13 | Perno de Golpe | 1 | H-1193-B129 | B129 |
| 14 | Anillo-O | 1 | H-1193-B130 | B130 |
| 15 | Brazo de Eje | 1 | H-1043-B131 | B131 |
| 16 | Anillo-O | 1 | ----- | B132 |
| 17 | Remache (Tornillo de Ajuste) | 1 | H-1043-B133 | B133 |
| 18 | Tuerca (Tuerca del Tornillo de Ajuste) | 1 | H-1043-B134 | B134 |
| 19 | Palanca | 1 | H-1043-B135 | B135 |
| 20 | Remache | 1 | H-1043-B136 | B136 |
| 21 | Resorte | 1 | H-1043-B137 | B137 |
| 22 | Base del Balín de Acero | 1 | H-1043-B138 | B138 |
| 23 | Balín de Acero | 1 | H-1782-B139 | B139 |
| 24 | Pasador | 1 | H-1043-B140 | B140 |
| 25 | Anillo-Y | 1 | H-1043-B141 | B141 |
| 26 | Anillo-O | 1 | H-1043-B142 | B142 |
| 27 | Tapa del Cilindro | 1 | H-1043-B143 | B143 |
| 28 | Anillo-O | 1 | H-1043-B144 | B144 |
| 29 | Anillo para Polvo | 1 | H-1043-B145 | B145 |
| 30 | Balín de Acero | 1 | H-1043-B146N | B146 |
| 31 | Bomba de Émbolo | 1 | H-1366-B147 | B147 |
| 32 | Rondana | 1 | ----- | B148 |
| 33 | Resorte Grande | 1 | H-1483-B149 | B149 |
| 34 | Anillo para Polvo | 1 | H-1043-B150 | B150 |
| 35 | Anillo-Y | 1 | H-1043-B151 | B151 |
| 36 | Barra de Pistón | 1 | H-1043-B152 | B152 |
| 37 | Seguro para el Eje | 1 | ----- | B153 |

ULINE H-4803

TRANSPALETTE À FOURCHE COURTE – 42 x 27 PO

1-800-295-5510
uline.ca

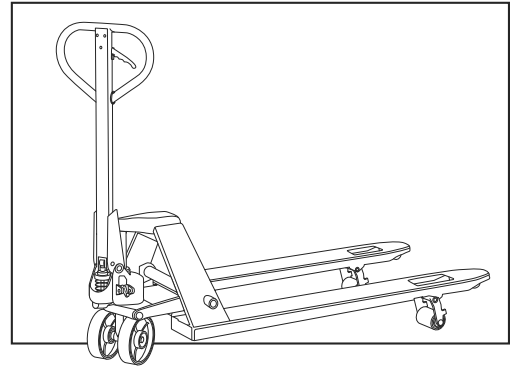
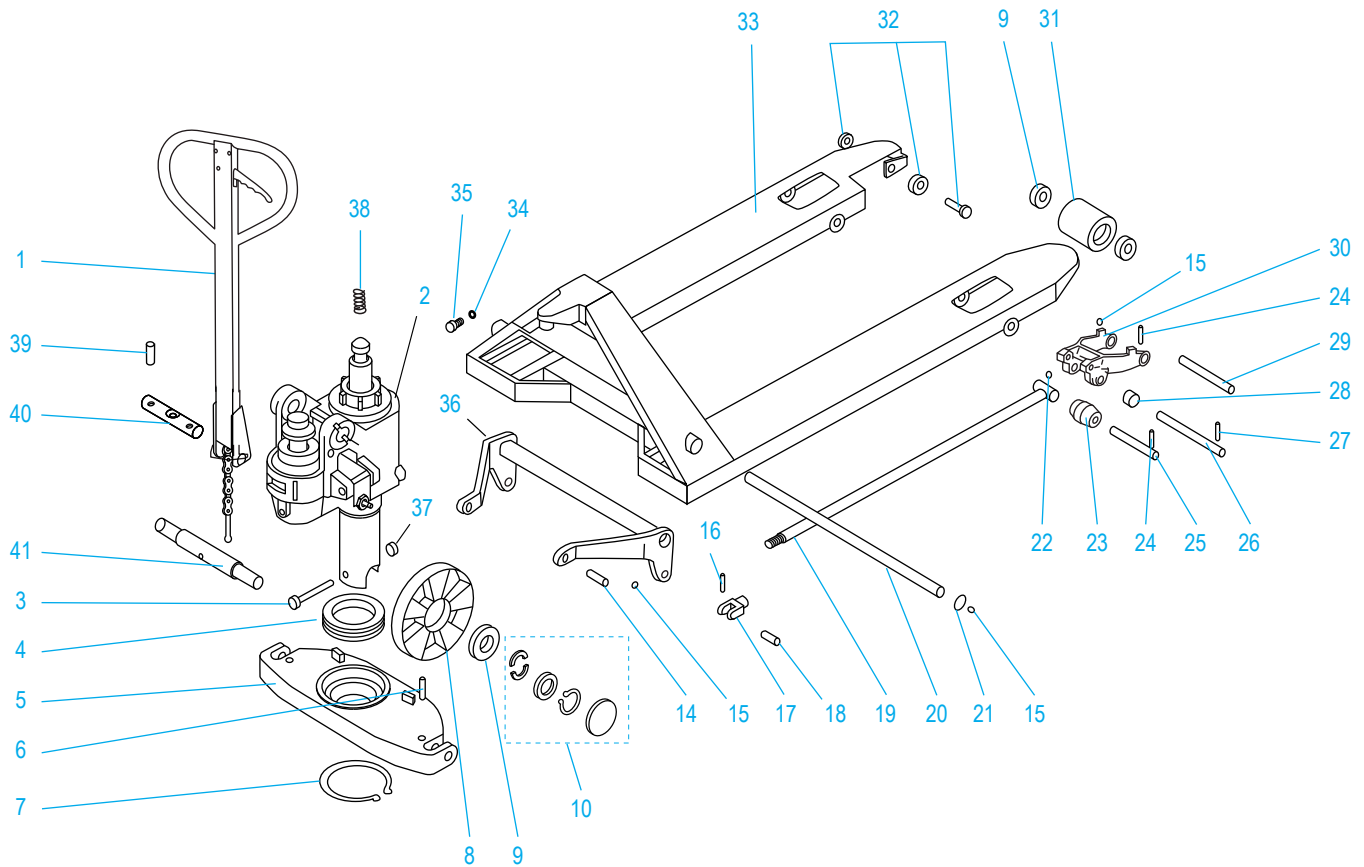


SCHÉMA DE LA STRUCTURE



LISTE DES PIÈCES DU SCHÉMA DE LA STRUCTURE

| # | DESCRIPTION | QTÉ | RÉF. ULINE | RÉF. DU FABRICANT |
|---|------------------------------|-----|------------|-------------------|
| 1 | Assemblage de la poignée | 1 | H-1043-SHC | B1 |
| 2 | Pompe (standard) | 1 | H-1043PUMP | PUMP STAND |
| 3 | Boulon | 1 | H-1365-B3 | B3 |
| 4 | Roulement | 1 | H-1365-B4 | B4 |
| 5 | Base de support | 1 | H-1043-B5 | B5 |
| 6 | Cheville ressort | 2 | H-1365-B6 | B6 |
| 7 | Bague de retenue pour essieu | 1 | H-1043-B7 | B7 |
| 8 | Grande roue (directrice) | 2 | H-1043-B8 | B8 |

ULINE H-4803

TRANSPALETTE À FOURCHE

COURTE – 42 x 27 PO

1-800-295-5510
uline.ca

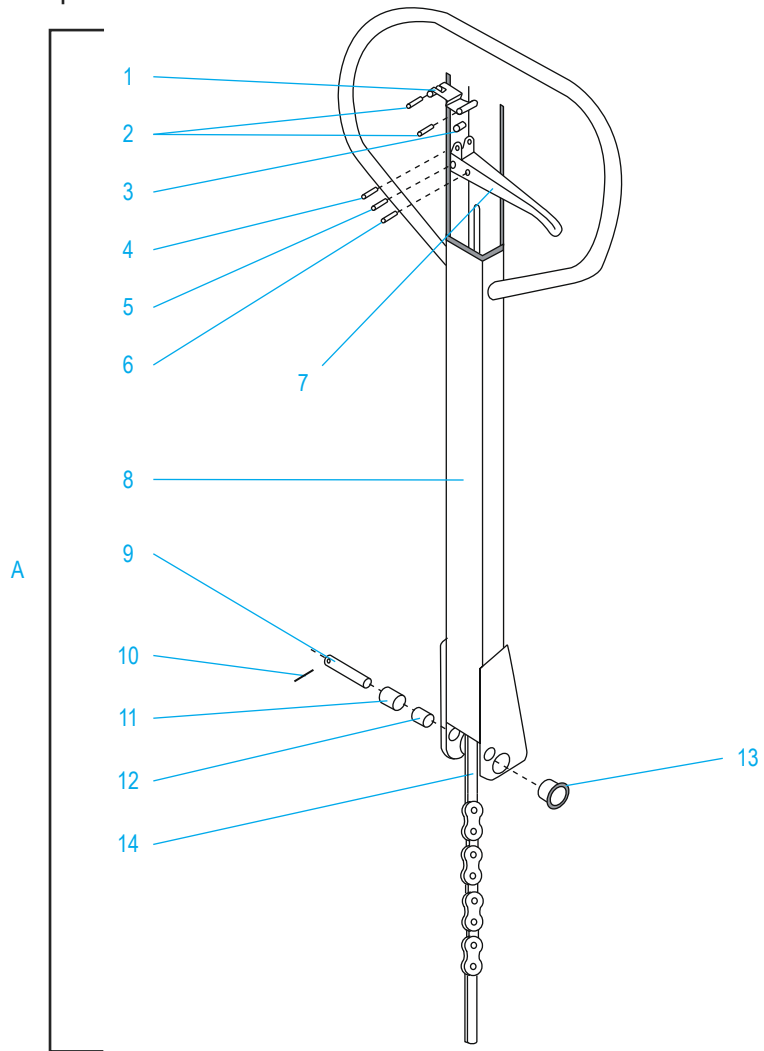
LISTE DES PIÈCES DU SCHÉMA DE LA STRUCTURE SUITE

| # | DESCRIPTION | QTÉ | RÉF. ULINE | RÉF. DU FABRICANT |
|----|--|-----|--------------|-------------------|
| 9 | Palier | 8 | H-1043-B9 | B9 |
| 10 | Ensemble de matériel pour grande roue (directrice) Comprend : • Demi-cercle (4) • Rondelle (2) • Bague de retenue pour essieu (2) • Couvercle antipoussière (2) | 1 | H-6017 | B10-B13 |
| 14 | Tige | 2 | H-1043-B14 | B14 |
| 15 | Huileur | 8 | H-1193-B15 | B15 |
| 16 | Cheville ressort | 2 | H-1483-B16 | B16 |
| 17 | Joint | 2 | H-1483-B17 | B17 |
| 18 | Tige | 2 | H-1043-B18 | B18 |
| 19 | Poussoir droit | 2 | H-4803-B19 | BF42X27TAPPET |
| 20 | Long arbre | 1 | H-1043-B20 | B20 |
| 21 | Bague de retenue pour trou | 2 | H-1043-B21 | B21 |
| 22 | Huileur | 4 | H-1043-B22 | B22 |
| 23 | Gaine de roulement | 2 | H-1043-23 | B23 |
| 24 | Cheville ressort – 1 ¼ po* | 2 | ----- | ----- |
| 25 | Arbre | 2 | H-1043-25 | B25 |
| 26 | Arbre | 2 | H-1043-B26 | B26 |
| 27 | Cheville ressort – 1 ⅜ po** | 2 | ----- | ----- |
| 28 | Anneau de roulement | 4 | H-1043-B28 | B28 |
| 29 | Arbre | 2 | H-1483-B29 | B29 |
| 30 | Cadre de roue de fourche (charge) | 2 | H-1043-B31 | B31 |
| 31 | Roue de fourche (charge) | 2 | H-1043-B35PU | B35 |
| 32 | Ensemble de montage du rouleau (entrée) Comprend : • Boulon (1) • Rouleau d'entrée (1) • Écrou (1) | 1 | H-5634 | 2500-B36B38B39 |
| 33 | Cadre de fourche | 1 | ----- | BF42X27FORK |
| 34 | Rondelle ressort à becs | 1 | H-1043-B41 | B41 |
| 35 | Boulon | 1 | H-1043-B42 | B42 |
| 36 | Bras de bascule | 1 | H-1043-B43 | B43 |
| 37 | Écrou | 1 | H-1366-B44 | B44 |
| 38 | Gros ressort | 1 | H-1483-B149 | B149 |
| 39 | Cheville ressort | 1 | H-1043-B117 | B117 |
| 40 | Arbre | 1 | H-1043-B118 | B118 |
| 41 | Tige de grande roue (directrice) | 1 | H-1366-B2 | B2 |
| | Ensemble de palier avec roue de fourche (charge) de rechange Comprend : • Roue de fourche (charge) n° 31 (1) • Palier n° 9 (2) | 1 | H-1043-WHKIT | ----- |
| | *Chevilles ressorts de rechange n° 24 – 1 ¼ po | 8 | H-5632 | BF2500-B24X8 |
| | **Chevilles ressorts de rechange n° 27 – 1 ⅜ po | 8 | H-5631 | BF2500-B27X8 |

ULINE H-4803
TRANSPALETTE À FOURCHE
COURTE – 42 x 27 PO

1-800-295-5510
 uline.ca

SCHÉMA DE LA POIGNÉE



LISTE DES PIÈCES DU SCHÉMA DE LA POIGNÉE

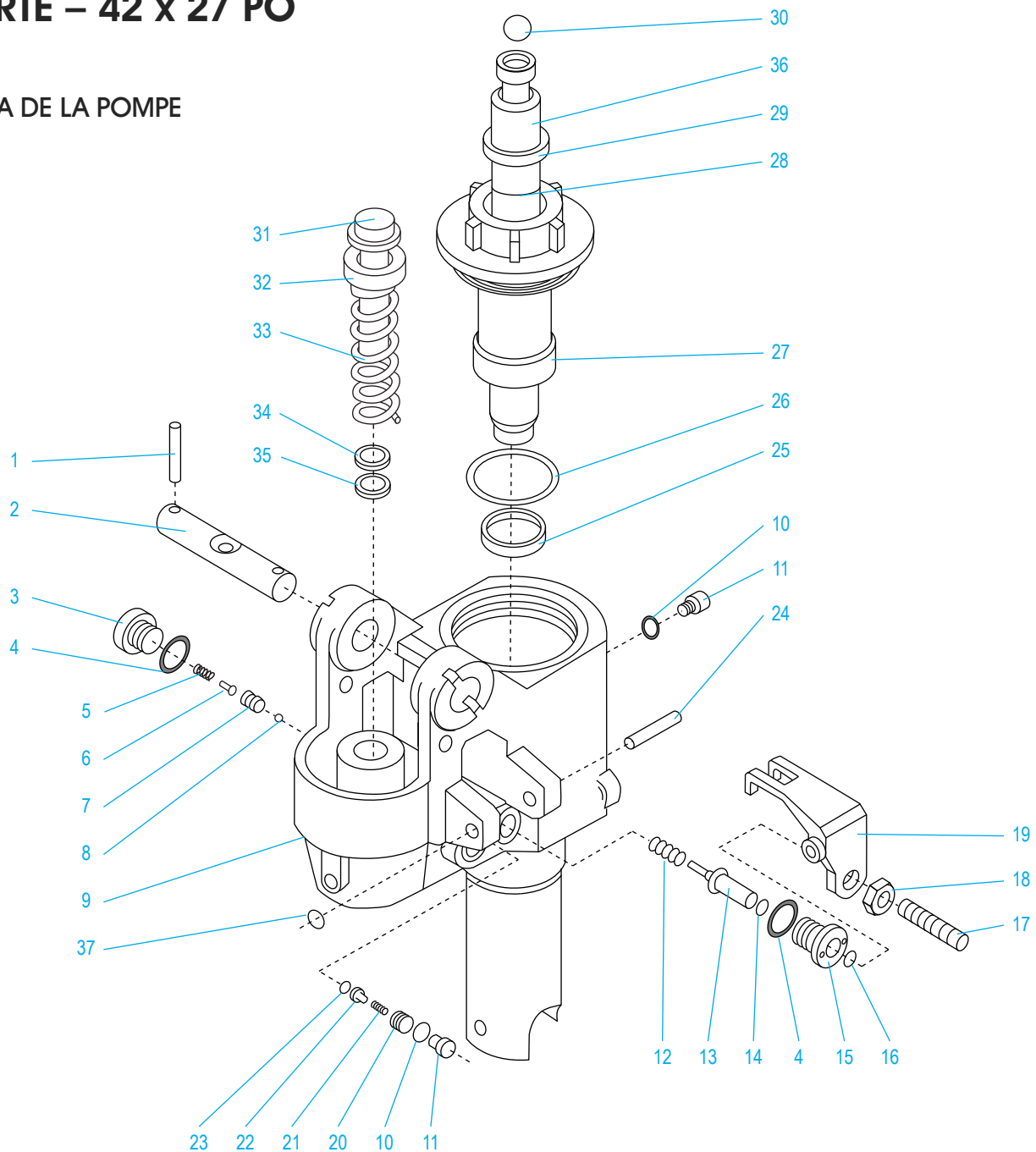
| # | DESCRIPTION | QTÉ | RÉF. ULINE | RÉF. DU FABRICANT |
|----|----------------------------|-----|-------------|-------------------------------|
| A | Assemblage de la poignée | 1 | H-1043-SHC | B1 |
| 1 | Ressort à lame | 1 | H-1366-B101 | B101 |
| 2 | Cheville ressort | 2 | H-2721-B102 | B102 |
| 3 | Rouleau | 1 | H-2721-B103 | B103 |
| 4 | Cheville ressort | 1 | H-2721-B104 | B104 |
| 5 | Cheville ressort | 1 | H-2721-B105 | B105 |
| 6 | Cheville ressort | 1 | H-2721-B106 | B106 |
| 7 | Poignée | 1 | H-1043-B107 | B107 |
| 8 | Tube de poignée | 1 | ----- | B108 |
| 9 | Arbre | 1 | H-1043-109 | B109 |
| 10 | Cheville ressort | 1 | H-1043-B110 | B110 |
| 11 | Rouleau de pression | 1 | H-1043-B111 | B111 |
| 12 | Bague | 1 | H-1043-B112 | B112 |
| 13 | Bague | 2 | H-1043-B114 | B114 |
| 14 | Assemblage de tige à tirer | 1 | H-1043-B113 | H-1043-B113+B115+B116ASSEMBLY |

ULINE H-4803

TRANSPALETTE À FOURCHE COURTE – 42 x 27 PO

1-800-295-5510
uline.ca

SCHÉMA DE LA POMPE



LISTE DES PIÈCES DU SCHÉMA DE LA POMPE

| # | DESCRIPTION | QTÉ | RÉF. ULINE | RÉF. DU FABRICANT |
|---|--------------------|-----|-------------|-------------------|
| 1 | Cheville ressort | 2 | H-1043-B117 | B117 |
| 2 | Arbre | 1 | H-1043-B118 | B118 |
| 3 | Bouchon | 1 | H-1483-B119 | B119 |
| 4 | Rondelle en cuivre | 2 | H-1043-120 | B120 |

ULINE H-4803
TRANSPALETTE À FOURCHE
COURTE – 42 x 27 PO

1-800-295-5510
 uline.ca

LISTE DES PIÈCES DU SCHÉMA DE LA POMPE SUITE

| # | DESCRIPTION | QTÉ | RÉF. ULINE | RÉF. DU FABRICANT |
|----|---------------------------------|-----|--------------|-------------------|
| 5 | Ressort | 1 | H-1483-B121 | B121 |
| 6 | Tige du clapet d'amortissement | 1 | H-1193-B122 | B122 |
| 7 | Siège du clapet d'amortissement | 1 | H-1193-B123 | B123 |
| 8 | Bille d'acier | 1 | H-2721-B124 | B124 |
| 9 | Base | 1 | ----- | B125 |
| 10 | Rondelle en cuivre | 2 | H-1043-B126 | B126 |
| 11 | Boulon | 2 | H-1043-B127 | B127 |
| 12 | Ressort | 1 | H-1193-B128 | B128 |
| 13 | Tige de touche | 1 | H-1193-B129 | B129 |
| 14 | Joint torique | 1 | H-1193-B130 | B130 |
| 15 | Manchon d'essieu | 1 | H-1043-B131 | B131 |
| 16 | Joint torique | 1 | ----- | B132 |
| 17 | Boulon (Vis de blocage) | 1 | H-1043-B133 | B133 |
| 18 | Écrou (Écrou de vis de blocage) | 1 | H-1043-B134 | B134 |
| 19 | Levier | 1 | H-1043-B135 | B135 |
| 20 | Boulon | 1 | H-1043-B136 | B136 |
| 21 | Ressort | 1 | H-1043-B137 | B137 |
| 22 | Socle à bille | 1 | H-1043-B138 | B138 |
| 23 | Bille d'acier | 1 | H-1782-B139 | B139 |
| 24 | Tige | 1 | H-1043-B140 | B140 |
| 25 | Anneau en Y | 1 | H-1043-B141 | B141 |
| 26 | Joint torique | 1 | H-1043-B142 | B142 |
| 27 | Coiffe de cylindre | 1 | H-1043-B143 | B143 |
| 28 | Joint torique | 1 | H-1043-B144 | B144 |
| 29 | Anneau de glissement | 1 | H-1043-B145 | B145 |
| 30 | Bille d'acier | 1 | H-1043-B146N | B146 |
| 31 | Piston | 1 | H-1366-B147 | B147 |
| 32 | Rondelle | 1 | ----- | B148 |
| 33 | Gros ressort | 1 | H-1483-B149 | B149 |
| 34 | Anneau de glissement | 1 | H-1043-B150 | B150 |
| 35 | Anneau en Y | 1 | H-1043-B151 | B151 |
| 36 | Tige de piston | 1 | H-1043-B152 | B152 |
| 37 | Bague de retenue pour essieu | 1 | ----- | B153 |