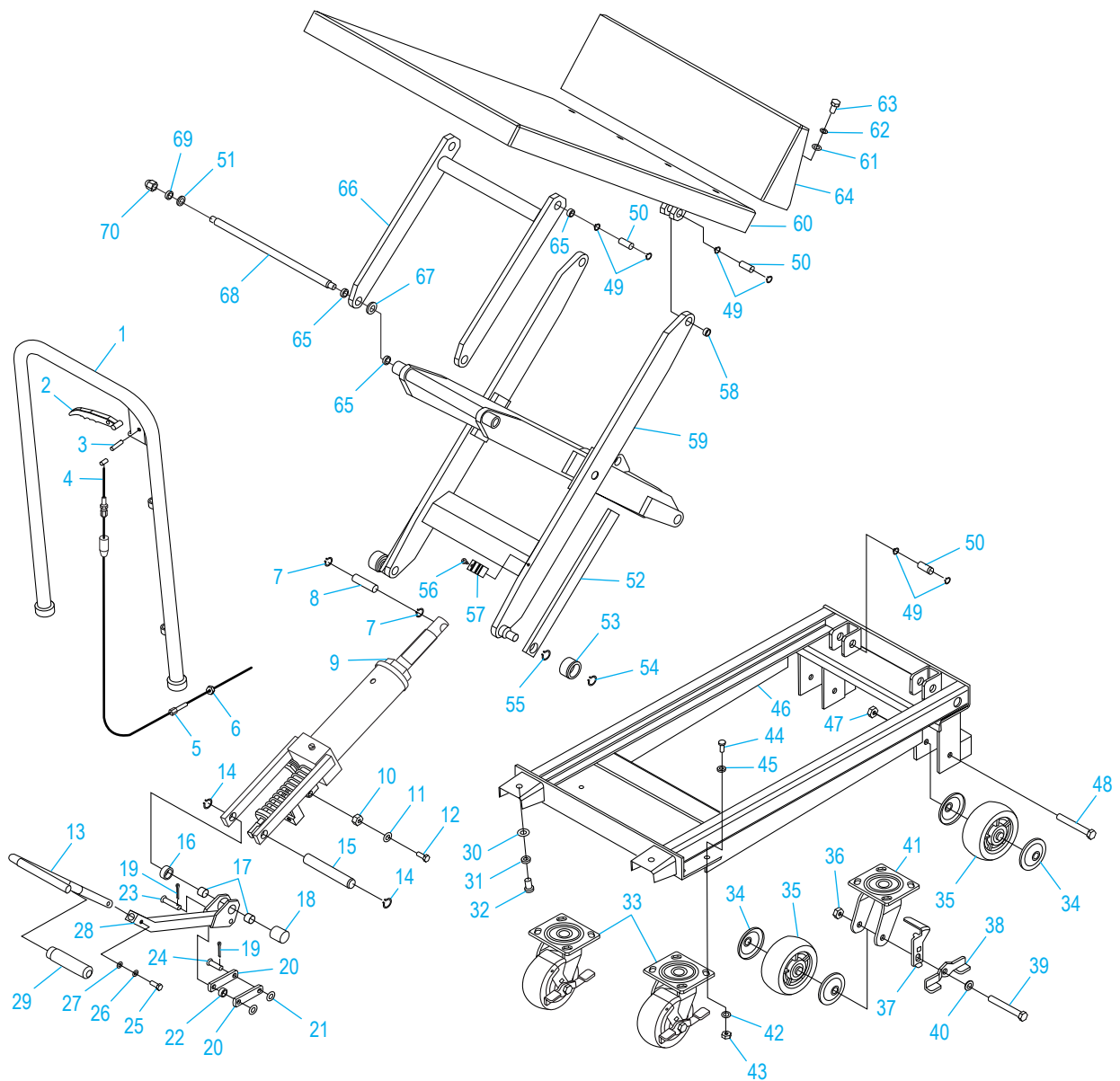
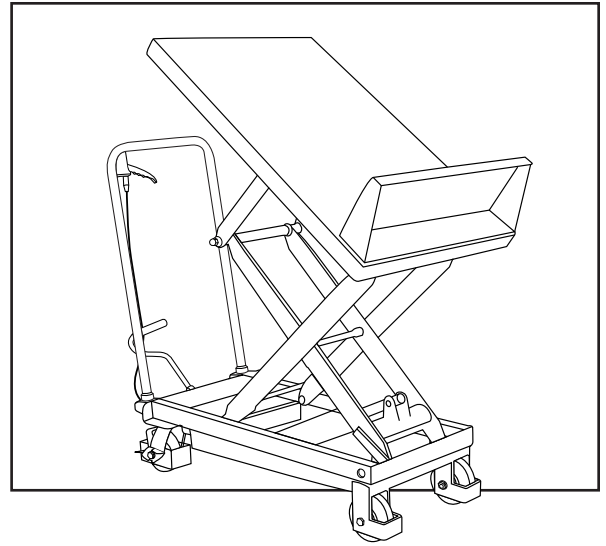


# ULINE H-5443 TILTING LIFT TABLE

1-800-295-5510  
uline.com



**ULINE** H-5443  
**TILTING LIFT TABLE**

1-800-295-5510  
 uline.com

#	DESCRIPTION	QTY.	ULINE PART NO.	MFG. PART NO.
1	Handle	1	-----	X1
2	Control Bar	1	-----	X2
3	Spring Pin	1	-----	X3
4	Soft Wire Shaft	1	-----	X4
5	Adjusting Screw	1	-----	X5
6	Nut	1	-----	X6
7	Circlip for Shaft	2	-----	X7
8	Pin Shaft	1	-----	X8
9	Pump	1	-----	X9
10	Nut	1	-----	X10
11	Washer	1	-----	X11
12	Clamping Screw	1	-----	X12
13	Foot Lever	1	-----	X13
14	Circlip for Shaft	2	-----	X14
15	Pin Shaft	1	-----	X15
16	Short Bushing	1	-----	X16
17	Sleeve	2	-----	X17
18	Long Bushing	1	-----	X18
19	Cotter Pin	2	-----	X19
20	Connect Plate	2	-----	X20
21	Washer	2	-----	X21
22	Bushing	1	-----	X22
23	Pin Shaft	1	-----	X23
24	Pin Shaft	1	-----	X24
25	Screw	1	-----	X25
26	Spring Washer	1	-----	X26
27	Flat Washer	1	-----	X27
28	Foot Control Frame	1	-----	X28
29	Rubber Cover	1	-----	X29
30	Flat Washer	2	-----	X30
31	Spring Washer	2	-----	X31
32	Screw	2	-----	X32
33	Caster	2	-----	X33
34	Wheel Cover	8	-----	X34
35	Wheel	4	-----	X35
36	Nut	4	-----	X36
37	Brake Disc	2	-----	X37
38	Brake Foot Plate	2	-----	X38
39	Bolt	2	-----	X39
40	Washer	2	-----	X40

**ULINE** H-5443  
**TILTING LIFT TABLE**

1-800-295-5510  
 uline.com

#	DESCRIPTION	QTY.	ULINE PART NO.	MFG. PART NO.
41	Caster Frame	2	-----	X41
42	Washer	8	-----	X42
43	Nut	8	-----	X43
44	Screw	8	-----	X44
45	Washer	8	-----	X45
46	Frame	1	-----	X46
47	Nut	2	-----	X47
48	Bolt	2	-----	X48
49	Circlip for Shaft	12	-----	X49
50	Pin Shaft	6	-----	X50
51	Spacer	2	-----	X51
52	Blocking Rod	2	-----	X52
53	Roller	2	-----	X53
54	Circlip for Shaft	2	-----	X54
55	Circlip for Shaft	2	-----	X55
56	Screw	2	-----	X56
57	Lock Catch	2	-----	X57
58	Sleeve	2	-----	X58
59	Scissor Part	1	-----	X59
60	Table	1	-----	X60
61	Washer	4	-----	X61
62	Spring Washer	4	-----	X62
63	Bolt	4	-----	X63
64	Back	1	-----	X64
65	Sleeve	2	-----	X65
66	Upper Wishbone	1	-----	X66
67	Spacer	2	-----	X67
68	Shaft	1	-----	X68
69	Spring Washer	2	-----	X69
70	Nut	2	-----	X70