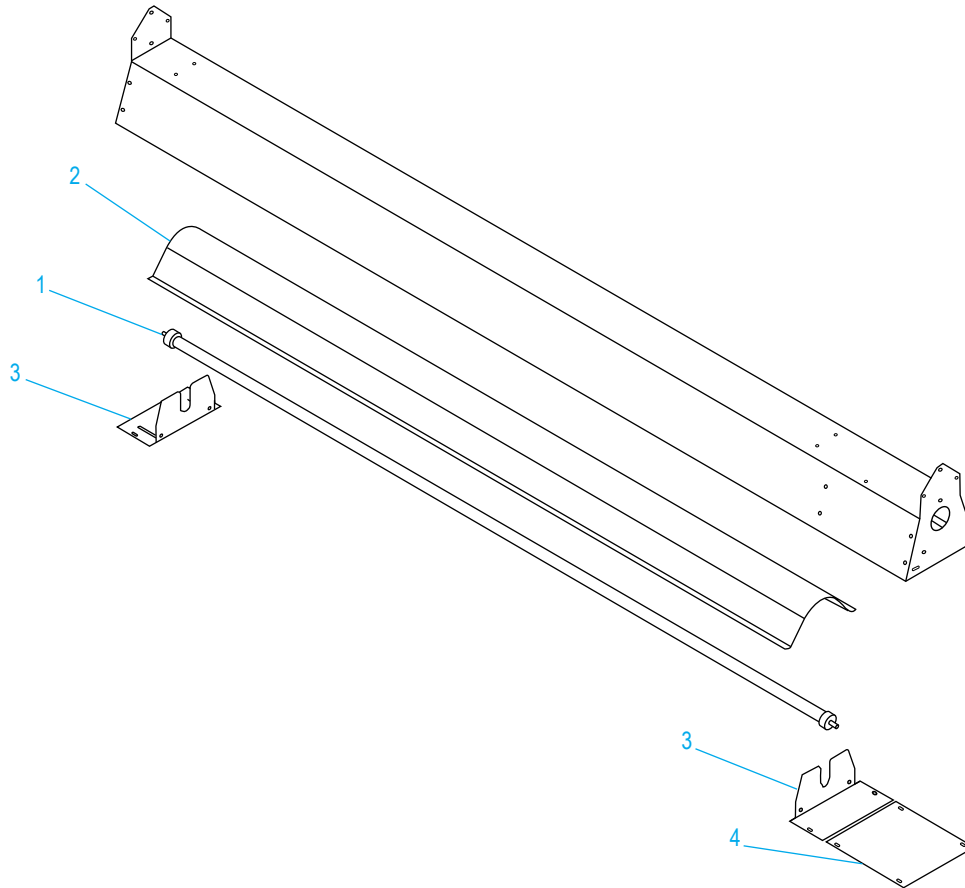
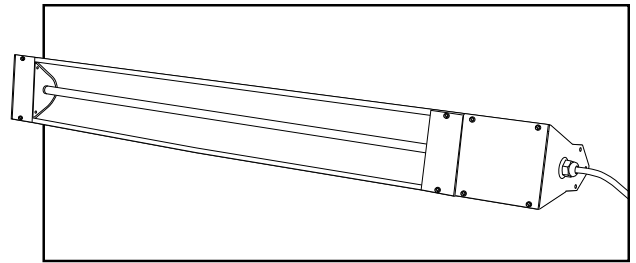


ULINE H-5780

INFRARED HEATER

CEILING/WALL MOUNT

1-800-295-5510
uline.com



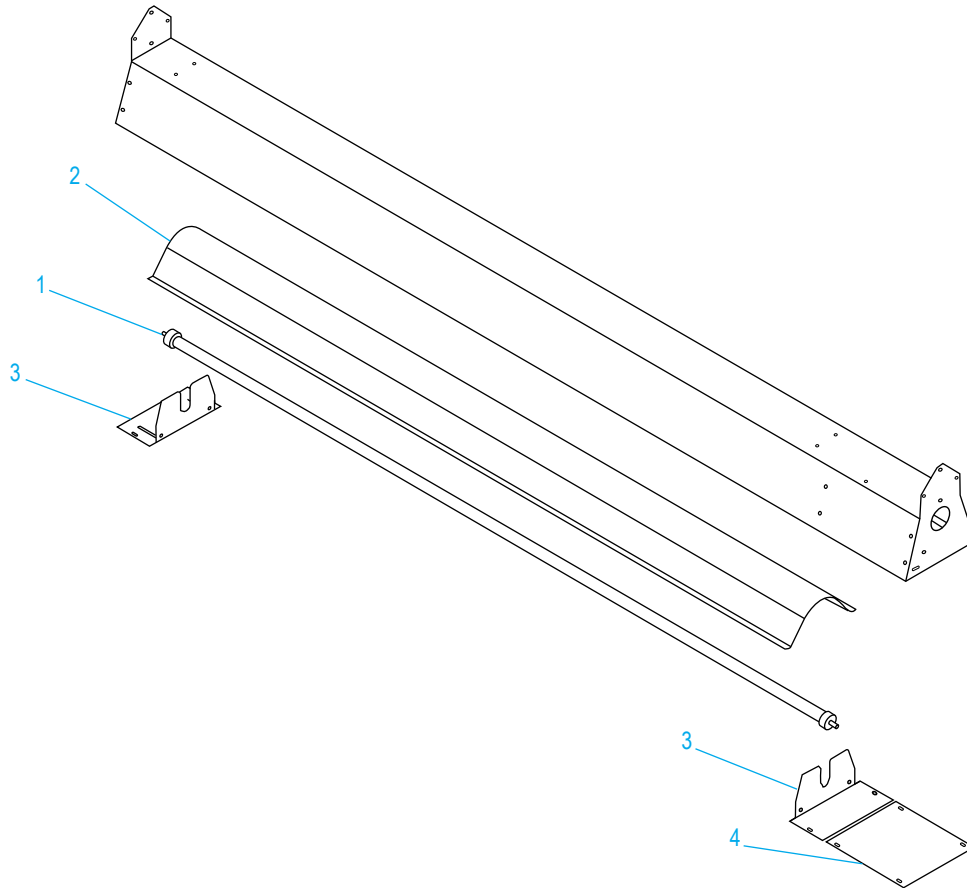
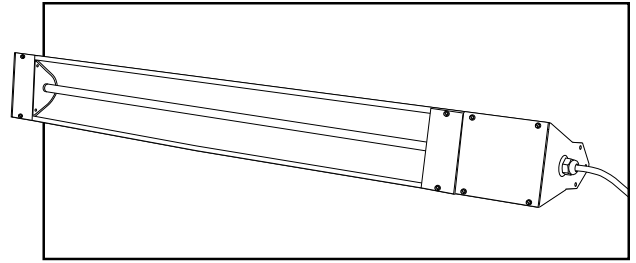
| # | DESCRIPTION | QTY. | ULINE PART NO. | MFG. PART NO. |
|---|------------------|------|----------------|---------------|
| 1 | Replacement Bulb | 1 | H-5780-BULB | 04432302 |
| 2 | Reflector | 1 | H-5780-REF | 8561801 |
| 3 | End Cap | 1 | H-5780-ECAP | 8561201 |
| 4 | Cover Plate | 1 | H-5780-CVR | 44380001 |

ULINE H-5780

**CALENTADOR
INFRARROJO PARA
INSTALACIÓN EN
TECHO/PARED**

01-800-295-5510

uline.mx

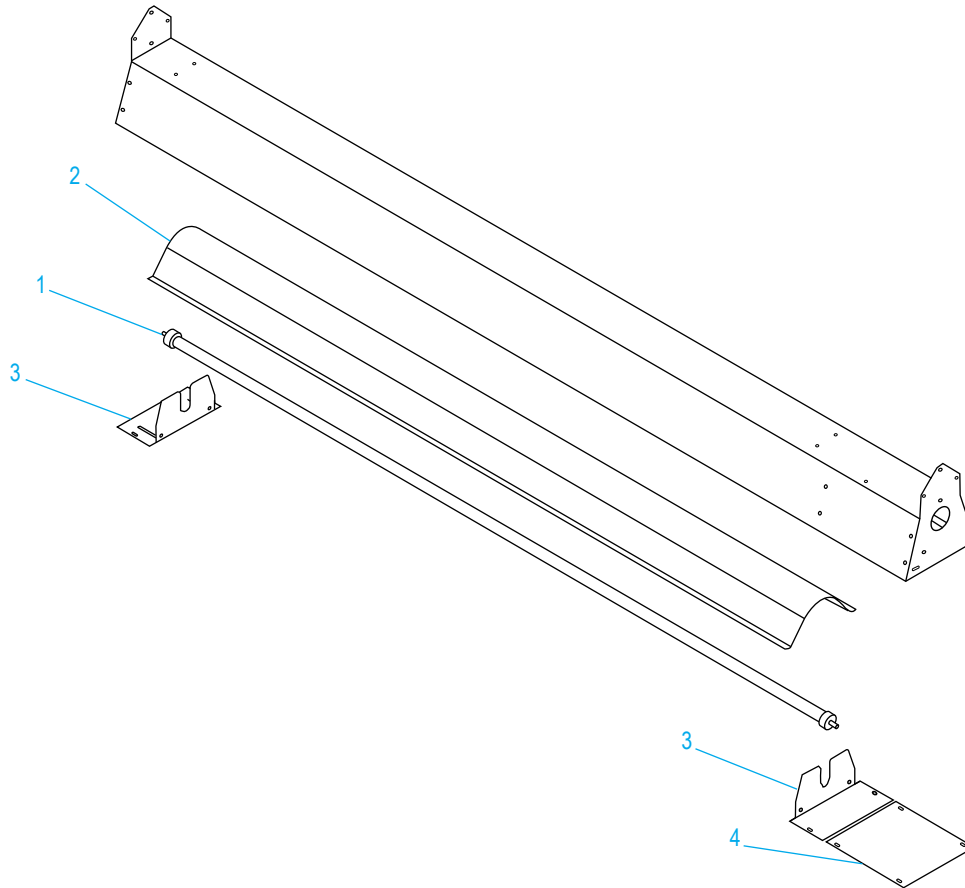
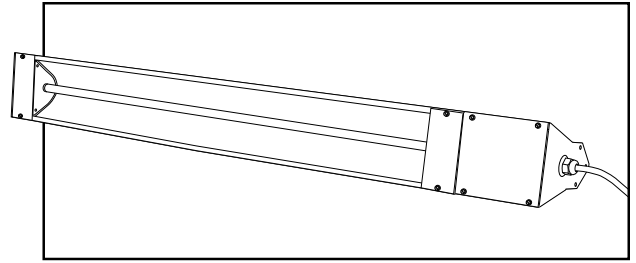


| # | DESCRIPCIÓN | CANT. | NO. DE PARTE ULINE | NO. DE PARTE DEL FABRICANTE |
|---|---------------------|-------|--------------------|-----------------------------|
| 1 | Lámpara de Repuesto | 1 | H-5780-BULB | 04432302 |
| 2 | Reflector | 1 | H-5780-REF | 8561801 |
| 3 | Tapa del Extremo | 1 | H-5780-ECAP | 8561201 |
| 4 | Placa de Cubierta | 1 | H-5780-CVR | 44380001 |

ULINE H-5780

APPAREIL DE CHAUFFAGE INFRAROUGE – INSTALLATION MURALE/AU PLAFOND

1-800-295-5510
uline.ca



| # | DESCRIPTION | QTÉ | RÉF. ULINE | RÉF. DU FABRICANT |
|---|---------------------|-----|-------------|-------------------|
| 1 | Ampoule de rechange | 1 | H-5780-BULB | 04432302 |
| 2 | Réflecteur | 1 | H-5780-REF | 8561801 |
| 3 | Embout | 1 | H-5780-ECAP | 8561201 |
| 4 | Plaque de finition | 1 | H-5780-CVR | 44380001 |