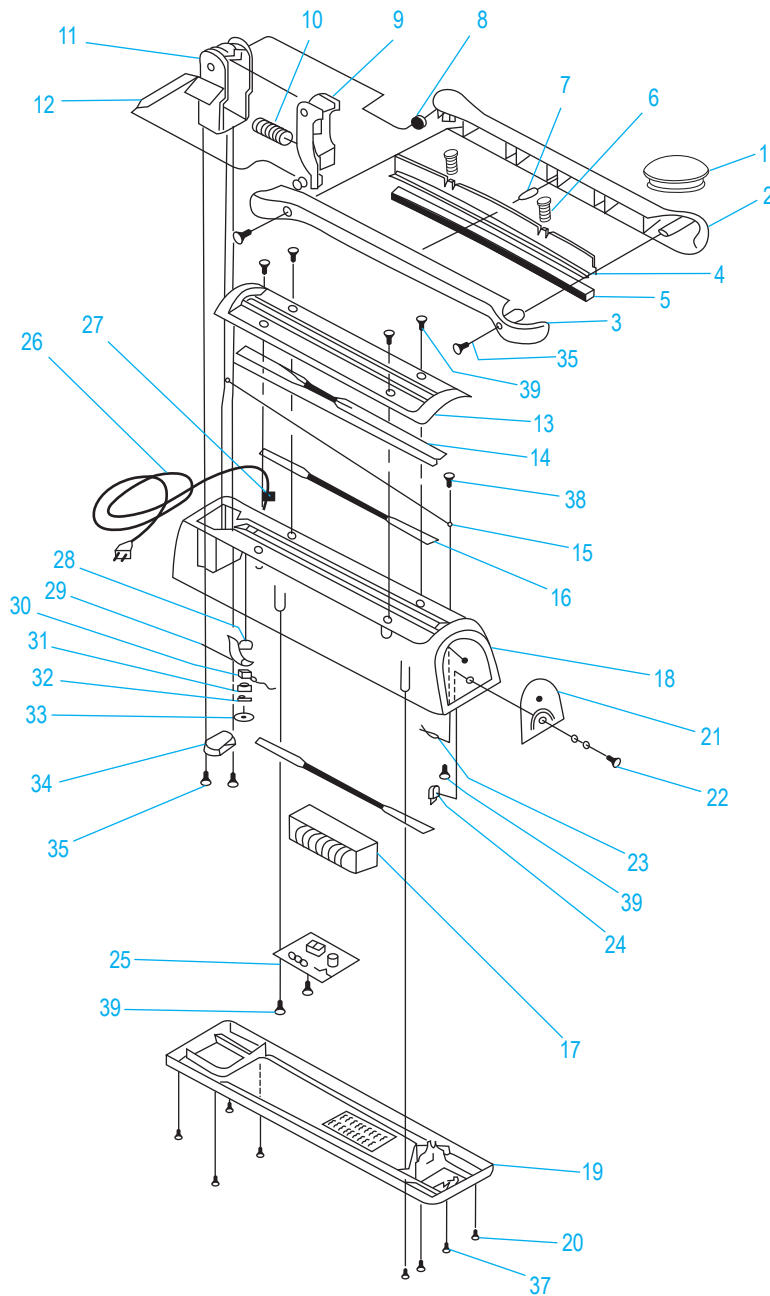
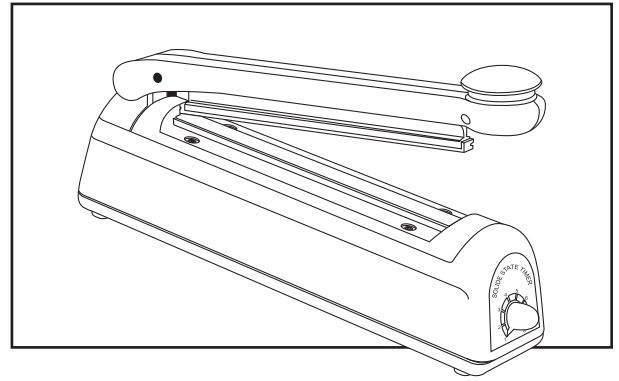


# ULINE H-597 8" BEEP SEALER

1-800-295-5510  
uline.com

Para Español, vea páginas 3-4.  
Pour le français, consulter les pages 5-6.



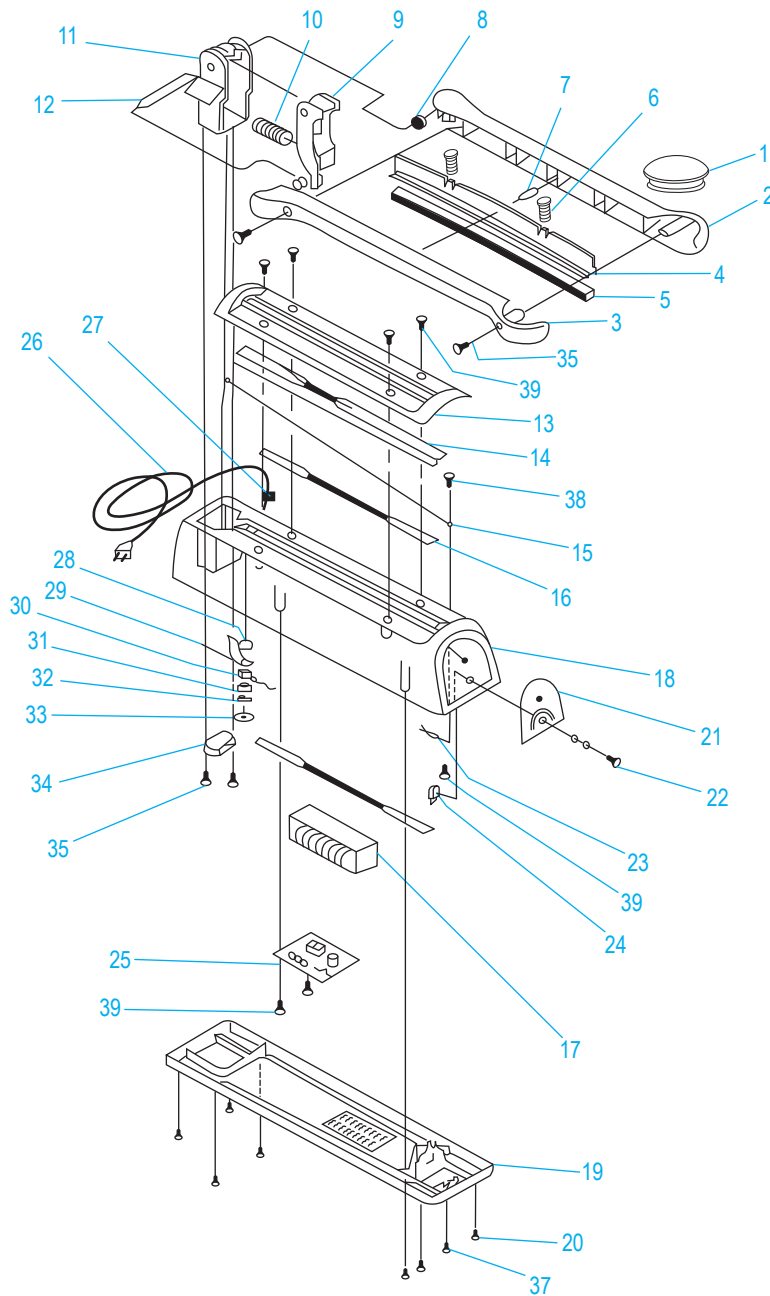
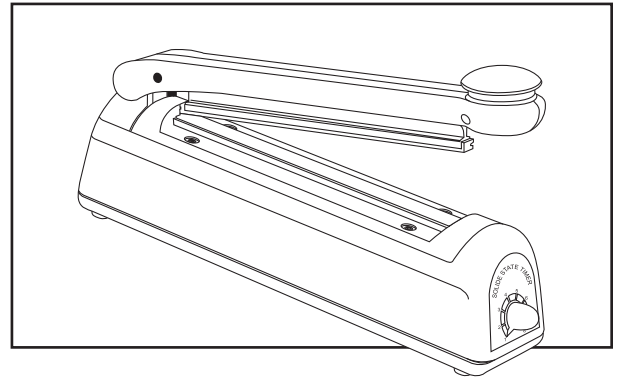
**ULINE H-597**  
**8" BEEP SEALER**

1-800-295-5510  
 uline.com

| #  | DESCRIPTION                 | QTY | ULINE NO.    | MFG. PART NO. |
|----|-----------------------------|-----|--------------|---------------|
| 1  | Lever Knob                  | 1   | H-597-H01    | H-01          |
| 2  | L. Lever                    | 1   | H-597H02A    | H-02A         |
| 3  | R. Lever                    | 1   | H-597H03A    | H-03A         |
| 4  | Silicon Bracket             | 1   | H-597-SB     | H-04A         |
| 5  | Silicon                     | 1   | H-597-S      | H-05A         |
| 6  | Spring                      | 2   | H-597-SPRING | H-06A         |
| 7  | Pin                         | 1   | -----        | H-07          |
| 8  | Stop Ring                   | 2   | -----        | H-08          |
| 9  | Connection Bracket Assembly | 1   | H-597-9AMBLY | -----         |
| 10 | Spring                      | 1   | -----        | H-10A         |
| 11 | Lever Bracket               | 1   | -----        | H-11          |
| 12 | Shaft                       | 1   | -----        | H-12          |
| 13 | Plate                       | 1   | -----        | H-13A         |
| 14 | Teflon Sheet                | 1   | -----        | H-14A         |
| 15 | Heating Wire                | 1   | -----        | H-15A         |
| 16 | Teflon Sheet                | 1   | -----        | H-16A         |
| 17 | Transformer 110 V           | 1   | -----        | H-17A         |
| 18 | Body                        | 1   | -----        | H-18A         |
| 19 | Bottom Cover                | 1   | H-597-H19A   | H-19A         |
| 20 | Feet                        | 4   | -----        | H-20          |
| 21 | Name Plate                  | 1   | -----        | H-21          |
| 22 | Knob                        | 1   | -----        | E-22          |
| 23 | Led Lamp                    | 1   | -----        | E-23          |
| 24 | Variable Resistor           | 1   | H-599-24     | E-10          |
| 25 | PC Board 110 V              | 1   | H-599-PC     | E-24A         |
| 26 | Power Cord                  | 1   | -----        | E-18          |
| 27 | Grommet                     | 1   | -----        | E-17          |
| 28 | Bushing                     | 1   | -----        | S-10          |
| 29 | Spring Hook                 | 1   | -----        | S-20          |
| 30 | Solderless Terminal         | 1   | -----        | S-11          |
| 31 | Bushing                     | 1   | -----        | S-12          |
| 32 | Washer 5 x 12               | 1   | -----        | S-21          |
| 33 | Screw 5 x 10                | 1   | -----        | S-22          |
| 34 | Microswitch                 | 1   | H-599-E-25   | E-25          |
| 35 | Tapping Screw 3 x 20        | 2   | -----        | S-23          |
| 36 | Tapping Screw 4 x 15        | 2/3 | -----        | S-24          |
| 37 | Screw 4 x 15                | 4/6 | -----        | S-44          |
| 38 | Screw 4 x 6                 | 1   | -----        | S-26          |
| 39 | Screw 4 x 8                 | 6/8 | H-599-39     | S-09          |

**ULINE H-597**  
**SELLADORA**  
**CON ALERTA - 8"**

01-800-295-5510  
 uline.mx



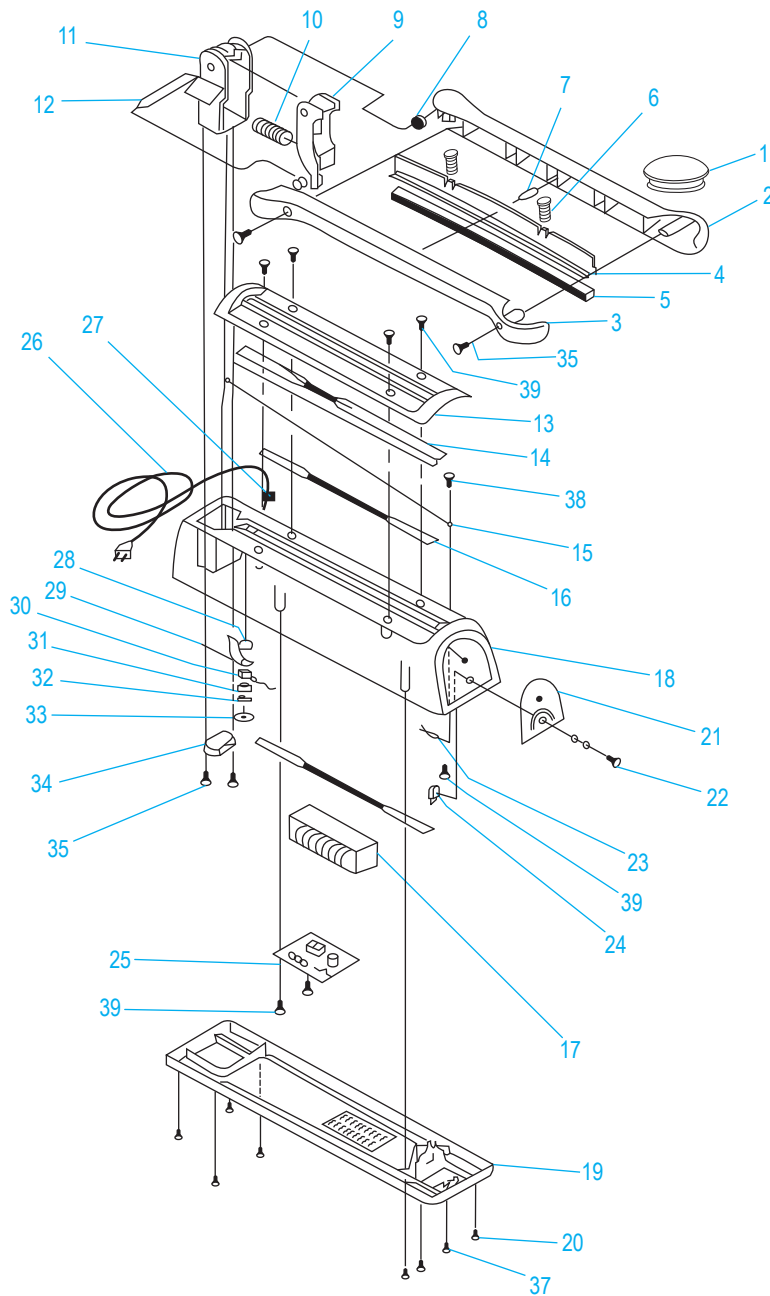
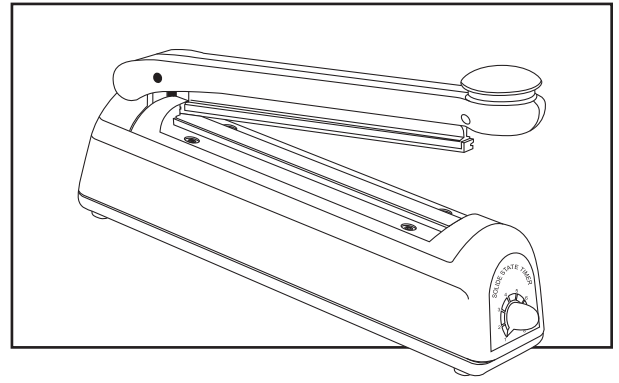
**ULINE H-597**  
**SELLADORA**  
**CON ALERTA - 8"**

01-800-295-5510  
 uline.mx

| #  | DESCRIPCIÓN                      | CANT. | NO. DE PARTE DE ULINE | NO. DE PARTE DEL FABRICANTE |
|----|----------------------------------|-------|-----------------------|-----------------------------|
| 1  | Perilla de la Palanca            | 1     | H-597-H01             | H-01                        |
| 2  | Palanca Lado Izquierdo           | 1     | H-597H02A             | H-02A                       |
| 3  | Palanca Lado Derecho             | 1     | H-597H03A             | H-03A                       |
| 4  | Soporte de Silicón               | 1     | H-597-SB              | H-04A                       |
| 5  | Silicón                          | 1     | H-597-S               | H-05A                       |
| 6  | Resorte                          | 2     | H-597-SPRING          | H-06A                       |
| 7  | Pasador                          | 1     | -----                 | H-07                        |
| 8  | Anillo de Tope                   | 2     | -----                 | H-08                        |
| 9  | Ensamble del Soporte de Conexión | 1     | H-597-9AMBLY          | -----                       |
| 10 | Resorte                          | 1     | -----                 | H-10A                       |
| 11 | Soporte de la Palanca            | 1     | -----                 | H-11                        |
| 12 | Eje                              | 1     | -----                 | H-12                        |
| 13 | Placa                            | 1     | -----                 | H-13A                       |
| 14 | Hoja de Teflón                   | 1     | -----                 | H-14A                       |
| 15 | Alambre Térmico                  | 1     | -----                 | H-15A                       |
| 16 | Hoja de Teflón                   | 1     | -----                 | H-16A                       |
| 17 | Transformador de 110 V           | 1     | -----                 | H-17A                       |
| 18 | Cuerpo                           | 1     | -----                 | H-18A                       |
| 19 | Cubierta de la Parte Inferior    | 1     | H-597-H19A            | H-19A                       |
| 20 | Patás                            | 4     | -----                 | H-20                        |
| 21 | Placa con Nombre                 | 1     | -----                 | H-21                        |
| 22 | Perilla                          | 1     | -----                 | E-22                        |
| 23 | Lámpara LED                      | 1     | -----                 | E-23                        |
| 24 | Resistencia Variable             | 1     | H-599-24              | E-10                        |
| 25 | Tablero de PC de 110 V           | 1     | H-599-PC              | E-24A                       |
| 26 | Cable Eléctrico                  | 1     | -----                 | E-18                        |
| 27 | Ojal                             | 1     | -----                 | E-17                        |
| 28 | Casquillo                        | 1     | -----                 | S-10                        |
| 29 | Gancho con Resorte               | 1     | -----                 | S-20                        |
| 30 | Terminal Sin Soldadura           | 1     | -----                 | S-11                        |
| 31 | Casquillo                        | 1     | -----                 | S-12                        |
| 32 | Rondana de 5 x 12                | 1     | -----                 | S-21                        |
| 33 | Tornillo de 5 x 10               | 1     | -----                 | S-22                        |
| 34 | Microinterruptor                 | 1     | H-599-E-25            | E-25                        |
| 35 | Tornillo Roscador de 3 x 20      | 2     | -----                 | S-23                        |
| 36 | Tornillo Roscador de 4 x 15      | 2/3   | -----                 | S-24                        |
| 37 | Tornillo de 4 x 15               | 4/6   | -----                 | S-44                        |
| 38 | Tornillo de 4 x 6                | 1     | -----                 | S-26                        |
| 39 | Tornillo de 4 x 8                | 6/8   | H-599-39              | S-09                        |

**ULINE H-597**  
**SCELLEUSE À**  
**SIGNAL SONORE**  
**– 8 PO (20 CM)**

1-800-295-5510  
 uline.ca



**ULINE H-597**  
**SCELLEUSE À**  
**SIGNAL SONORE**  
**– 8 PO (20 CM)**

1-800-295-5510  
 uline.ca

| #  | DESCRIPTION                         | QTÉ | RÉF. ULINE   | RÉF. DU FABRICANT |
|----|-------------------------------------|-----|--------------|-------------------|
| 1  | Bouton de levier                    | 1   | H-597-H01    | H-01              |
| 2  | Levier gauche                       | 1   | H-597H02A    | H-02A             |
| 3  | Levier droit                        | 1   | H-597H03A    | H-03A             |
| 4  | Support en silicone                 | 1   | H-597-SB     | H-04A             |
| 5  | Silicone                            | 1   | H-597-S      | H-05A             |
| 6  | Ressort                             | 2   | H-597-SPRING | H-06A             |
| 7  | Goupille                            | 1   | -----        | H-07              |
| 8  | Anneau d'arrêt                      | 2   | -----        | H-08              |
| 9  | Ensemble de support de liaison      | 1   | H-597-9AMBLY | -----             |
| 10 | Ressort                             | 1   | -----        | H-10A             |
| 11 | Support de levier                   | 1   | -----        | H-11              |
| 12 | Arbre                               | 1   | -----        | H-12              |
| 13 | Plaque                              | 1   | -----        | H-13A             |
| 14 | Bande en Teflon                     | 1   | -----        | H-14A             |
| 15 | Fil chauffant                       | 1   | -----        | H-15A             |
| 16 | Bande en Teflon                     | 1   | -----        | H-16A             |
| 17 | Transformateur de 110 V             | 1   | -----        | H-17A             |
| 18 | Corps                               | 1   | -----        | H-18A             |
| 19 | Couvercle inférieur                 | 1   | H-597-H19A   | H-19A             |
| 20 | Pieds                               | 4   | -----        | H-20              |
| 21 | Plaque signalétique                 | 1   | -----        | H-21              |
| 22 | Bouton                              | 1   | -----        | E-22              |
| 23 | Lampe à DEL                         | 1   | -----        | E-23              |
| 24 | Résistance variable                 | 1   | H-599-24     | E-10              |
| 25 | Carte de circuits imprimés de 110 V | 1   | H-599-PC     | E-24A             |
| 26 | Cordon d'alimentation               | 1   | -----        | E-18              |
| 27 | Œillet                              | 1   | -----        | E-17              |
| 28 | Bague                               | 1   | -----        | S-10              |
| 29 | Crochet de sûreté                   | 1   | -----        | S-20              |
| 30 | Borne sans soudure                  | 1   | -----        | S-11              |
| 31 | Bague                               | 1   | -----        | S-12              |
| 32 | Rondelle 5 x 12                     | 1   | -----        | S-21              |
| 33 | Vis 5 x 10                          | 1   | -----        | S-22              |
| 34 | Microcontact                        | 1   | H-599-E-25   | E-25              |
| 35 | Vis taraudeuse 3 x 20               | 2   | -----        | S-23              |
| 36 | Vis taraudeuse 4 x 15               | 2/3 | -----        | S-24              |
| 37 | Vis 4 x 15                          | 4/6 | -----        | S-44              |
| 38 | Vis 4 x 6                           | 1   | -----        | S-26              |
| 39 | Vis 4 x 8                           | 6/8 | H-599-39     | S-09              |