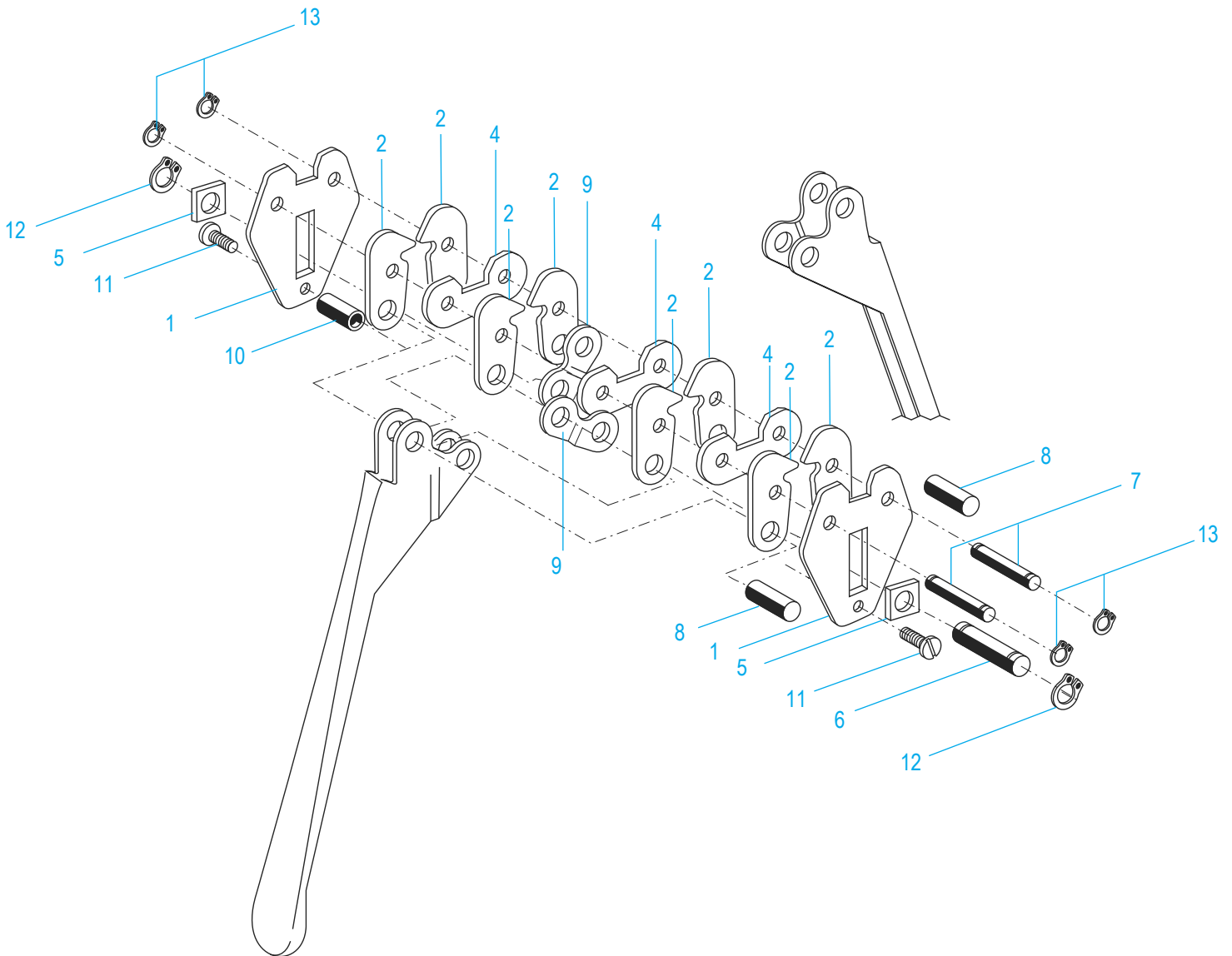
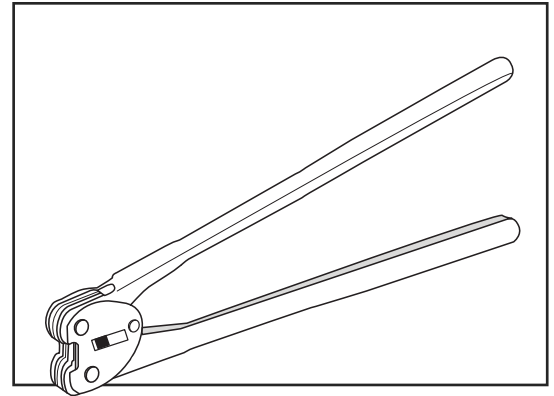


# ULINE H-624 DELUXE POLY STRAPPING SEALER

1-800-295-5510  
uline.com

Para Español, vea páginas 3-4.  
Pour le français, consulter les pages 5-6.



**ULINE H-624**  
**DELUXE POLY**  
**STRAPPING SEALER**

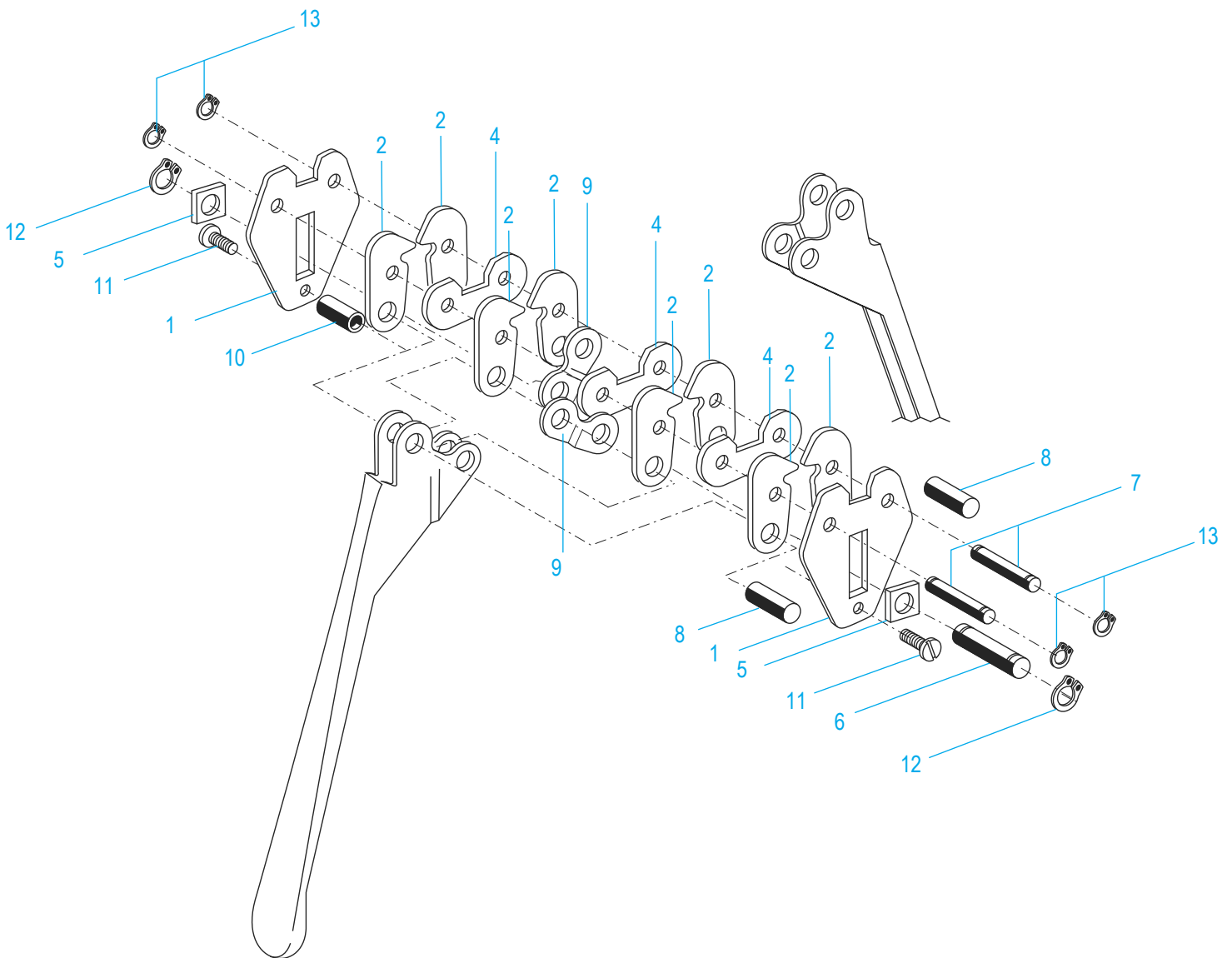
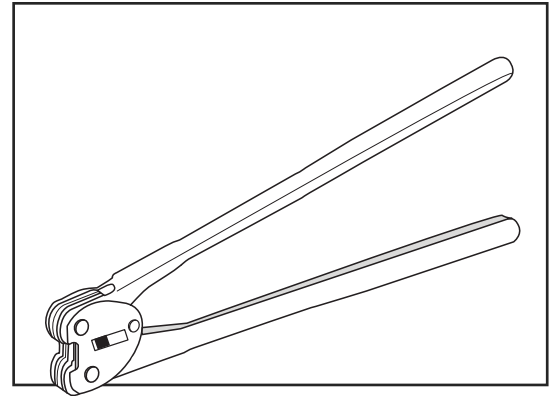
1-800-295-5510  
uline.com

#	DESCRIPTION	QTY.	ULINE PART NO.	MFG. PART NO.
1	Cover Plate (1/2")	2	H-624-COVER	2977.100.012
1	Cover Plate (5/8")	2	H-624-5/8PLT	2977.100.013
2	Jaw (1/2")	8	H-624-1/2JAW	2977.100.015
2	Jaw (5/8")	8	H-624-JAW	2977.100.016
4	Anvil (1/2")	3	H-624-.5ANVL	2977.100.021
4	Anvil (5/8")	3	H-624-ANVIL	2977.100.022
5	Guide Plate	2	H-624-GUIDE	2977.100.027
6	Shaft	1	H-779-SHAFT2	2977.100.029
7	Shaft	2	H-624-SHAFT	2977.100.028
8	Bolt	2	H-624-BOLT	2977.100.030
9	Link	2	H-780-LINK	2977.100.026
10	Spacer Bushing	1	H-624BUSHING	2977.100.033
11	Flat Head Screw	2	H-780-12	1912.506.107
12	Retaining Ring (5/8")	2	H-624-RING	1920.210.102
13	Retaining Ring (1/2")	4	H-780-RING	1920.208.082

**ULINE H-624**

**SELLADORA DE ALTA CALIDAD PARA FLEJE DE POLIPROPILENO**

01-800-295-5510  
uline.mx



**ULINE H-624****SELLADORA DE ALTA  
CALIDAD PARA FLEJE  
DE POLIPROPILENO****01-800-295-5510**

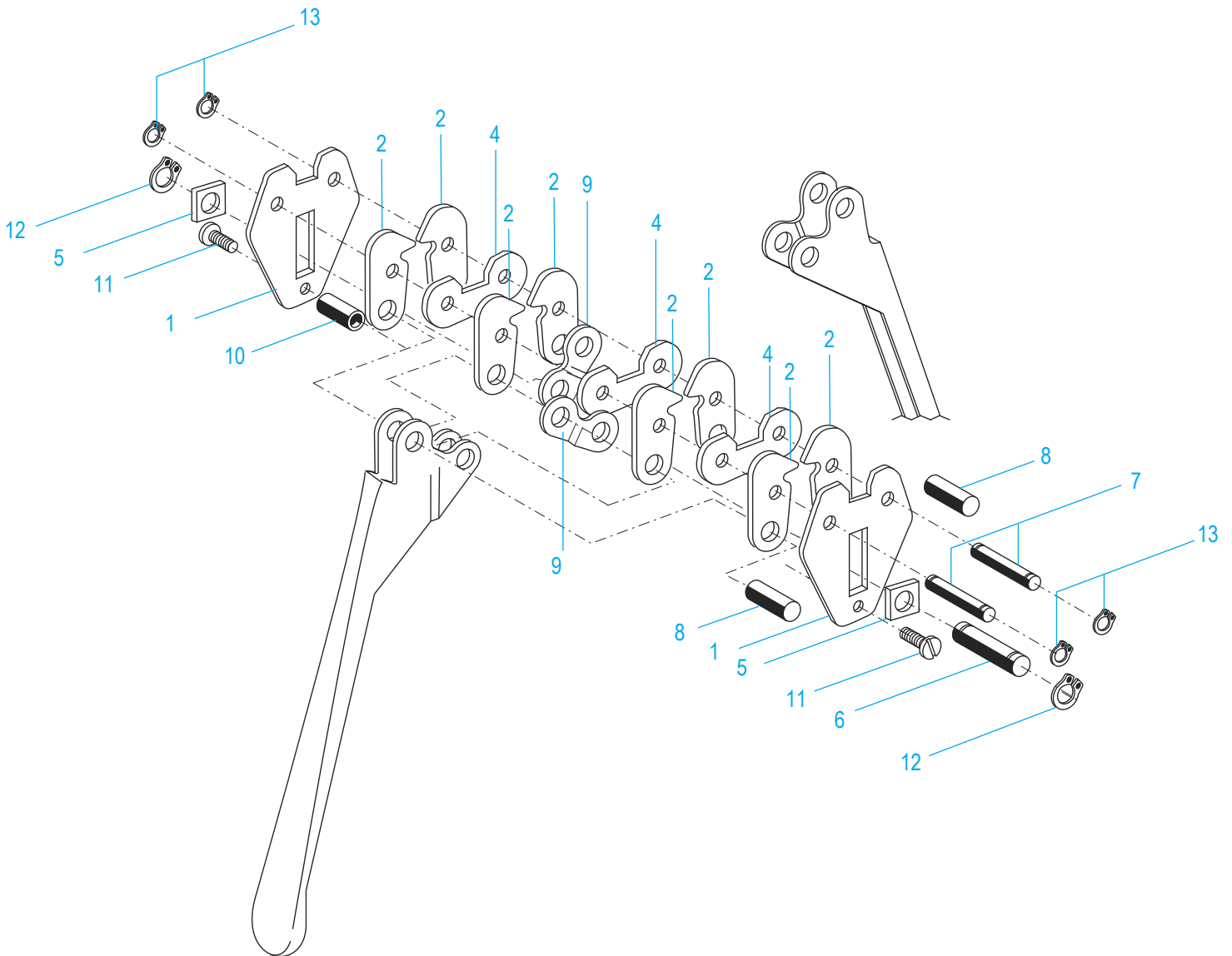
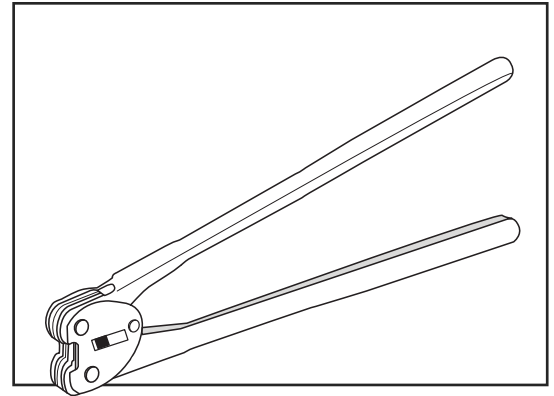
uline.mx

#	DESCRIPCIÓN	CANT.	NO. DE PARTE DE ULINE	NO. DE PARTE DEL FABRICANTE
1	Placa de Cubierta, 1.2 cm (1/2")	2	H-624-COVER	2977.100.012
1	Placa de Cubierta, 1.5 cm (5/8")	2	H-624-5/8PLT	2977.100.013
2	Mordaza, 1.2 cm (1/2")	8	H-624-1/2JAW	2977.100.015
2	Mordaza, 1.5 cm (5/8")	8	H-624-JAW	2977.100.016
4	Yunque, 1.2 cm (1/2")	3	H-624-.5ANVL	2977.100.021
4	Yunque, 1.5 cm (5/8")	3	H-624-ANVIL	2977.100.022
5	Placa Guía	2	H-624-GUIDE	2977.100.027
6	Eje	1	H-779-SHAFT2	2977.100.029
7	Eje	2	H-624-SHAFT	2977.100.028
8	Perno	2	H-624-BOLT	2977.100.030
9	Enlace	2	H-780-LINK	2977.100.026
10	Casquillo Separador	1	H-624BUSHING	2977.100.033
11	Tornillo de Cabeza Plana	2	H-780-12	1912.506.107
12	Anillo Retenedor, 1.5 cm (5/8")	2	H-624-RING	1920.210.102
13	Anillo Retenedor, 1.2 cm (1/2")	4	H-780-RING	1920.208.082

**ULINE** H-624

**SCELLEUSE DE  
CERCLAGE DE LUXE  
EN POLY**

1-800-295-5510  
uline.ca



**ULINE H-624****SCELLEUSE DE  
CERCLAGE DE LUXE  
EN POLY**

1-800-295-5510

uline.ca

#	DESCRIPTION	QTY.	RÉF. ULINE	RÉF. DE FABRICATION
1	Plaque de couvercle (1/2 po)	2	H-624-COVER	2977.100.012
1	Plaque de couvercle (5/8 po)	2	H-624-5/8PLT	2977.100.013
2	Mâchoire (1/2 po)	8	H-624-1/2JAW	2977.100.015
2	Mâchoire (5/8 po)	8	H-624-JAW	2977.100.016
4	Enclume (1/2 po)	3	H-624-.5ANVL	2977.100.021
4	Enclume (5/8 po)	3	H-624-ANVIL	2977.100.022
5	Plaque guide	2	H-624-GUIDE	2977.100.027
6	Arbre	1	H-779-SHAFT2	2977.100.029
7	Arbre	2	H-624-SHAFT	2977.100.028
8	Boulon	2	H-624-BOLT	2977.100.030
9	Liaison	2	H-780-LINK	2977.100.026
10	Bague d'écartement	1	H-624BUSHING	2977.100.033
11	Vis à tête plate	2	H-780-12	1912.506.107
12	Bague de retenue (5/8 po)	2	H-624-RING	1920.210.102
13	Bague de retenue (1/2 po)	4	H-780-RING	1920.208.082