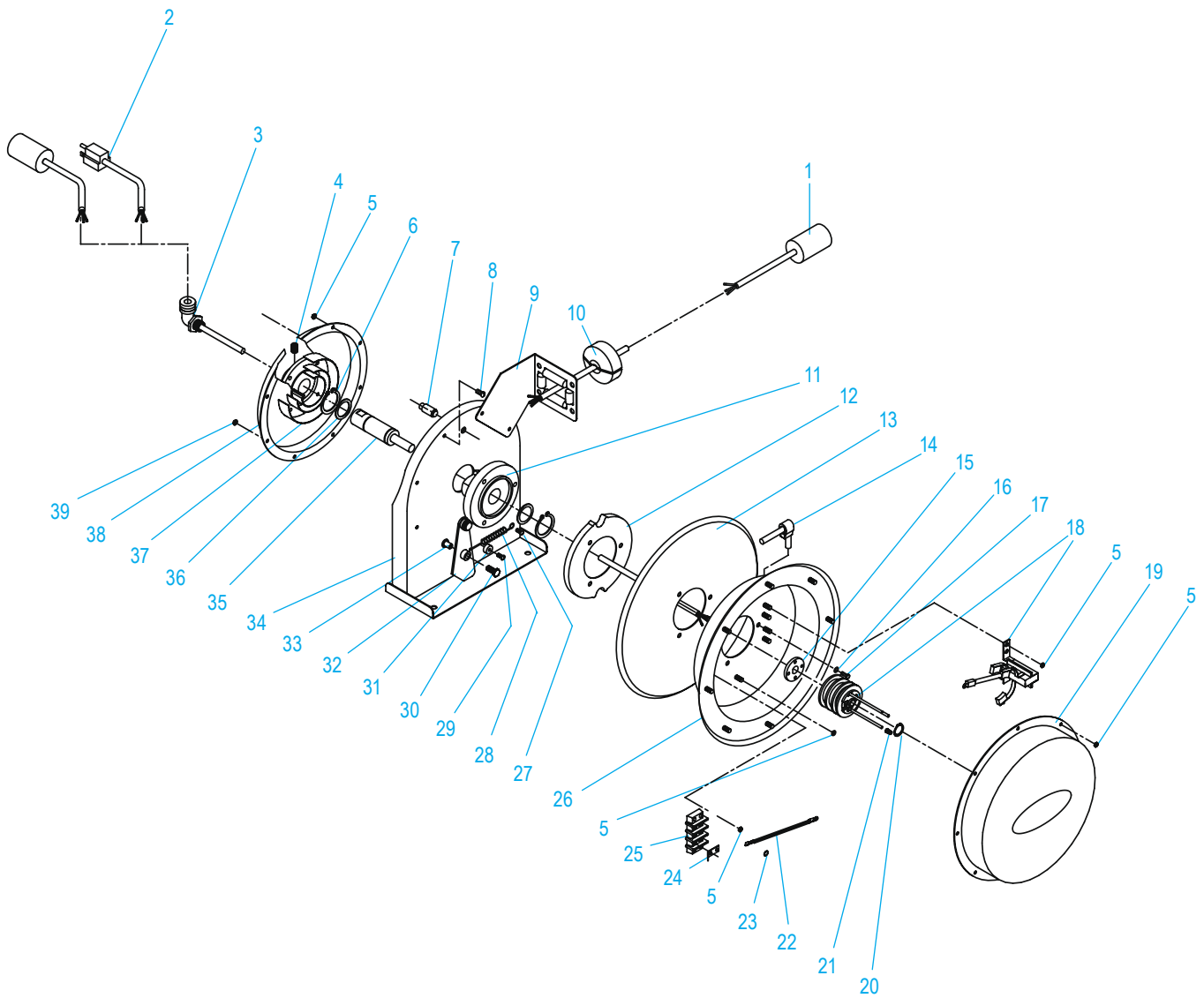
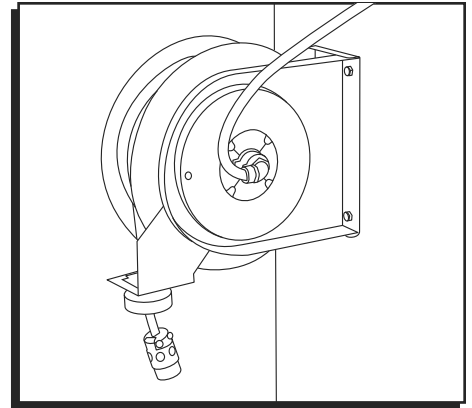


ULINE H-7122 INDUSTRIAL CORD REEL – 20 AMP

1-800-295-5510
uline.com

Para Español, vea páginas 3-4.
Pour le français, consulter les pages 5-6.



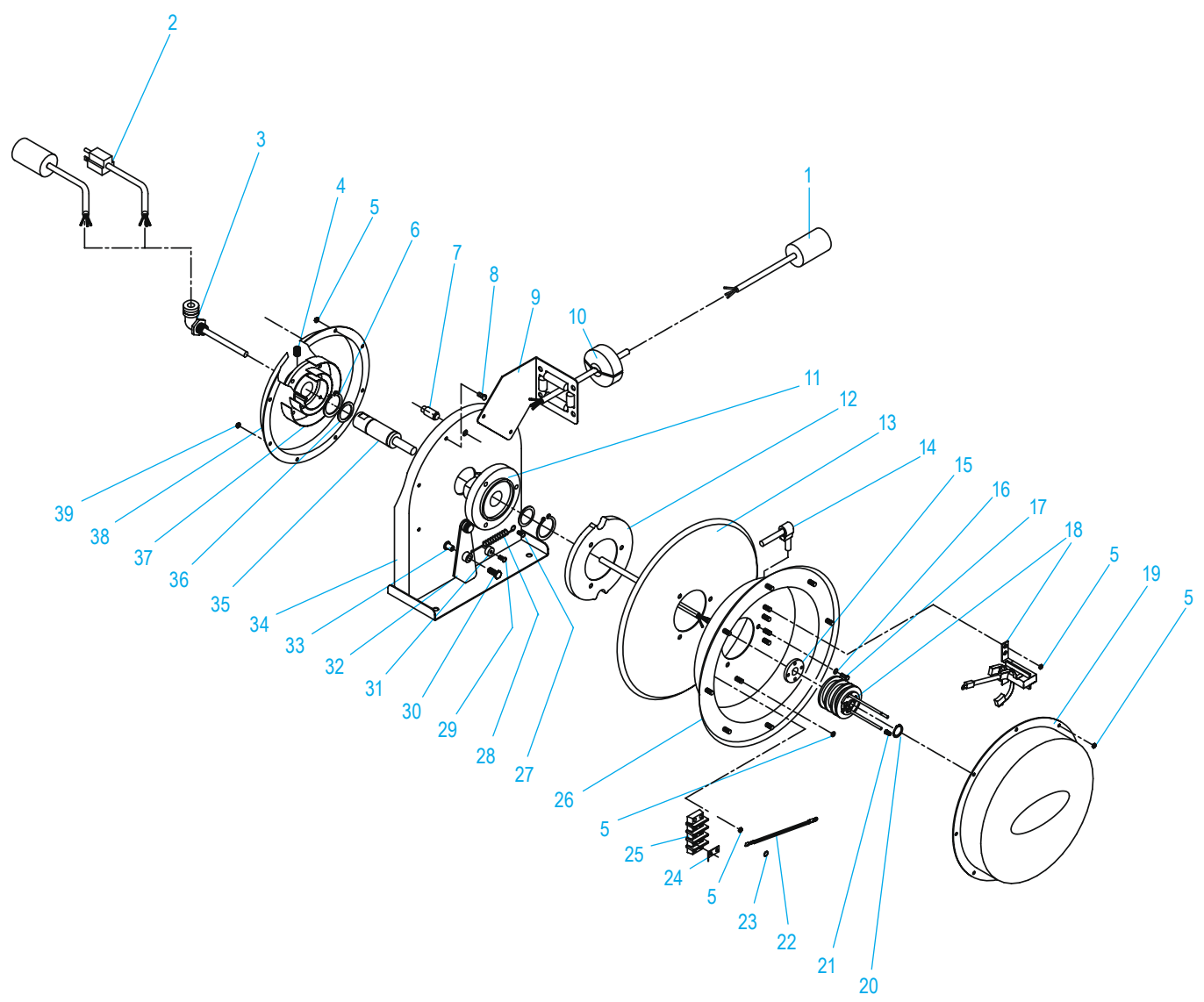
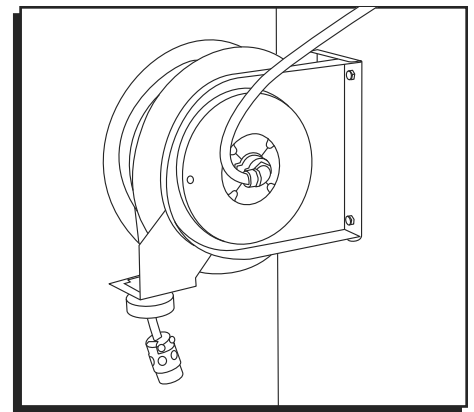
ULINE H-7122
INDUSTRIAL CORD
REEL – 20 AMP

1-800-295-5510
 uline.com

| # | DESCRIPTION | QTY. | ULINE PART NO. | MFG. PART NO. |
|----|------------------------------|------|----------------|---------------|
| 1 | Single Outlet | 1 | ----- | 602003 |
| 2 | Inlet Cord Assembly | 1 | ----- | 602002 |
| 3 | 90° Cord Connector | 1 | ----- | S261140-C |
| 4 | Screw, Set 3/8-19 x 1/2" Pin | 1 | ----- | 300006 |
| 5 | Locking Hex Nut 10-32 | 22 | ----- | S300011 |
| 6 | Snap Ring | 1 | ----- | 300031 |
| 7 | Springcase Stud | 1 | ----- | S261360 |
| 8 | Screw 10-32 x 1/2" | 2 | ----- | 300002 |
| 9 | Guide Arm Assembly | 1 | ----- | 400107 |
| 10 | Bumper Assembly | 1 | ----- | 1-HR1004-A |
| 11 | Spring Arbor | 1 | ----- | 400017 |
| 12 | Latch Cam | 1 | ----- | S400019 |
| 13 | Sheave Disc | 1 | ----- | 400006 |
| 14 | Strain Relief | 1 | ----- | 260633 |
| 15 | Plate Adapter | 1 | ----- | 261577 |
| 16 | Split Lock Washer | 3 | ----- | 902016 |
| 17 | Hex Screw 1/4-20 x 5/8" | 3 | ----- | S2-42 |
| 18 | Collector Ring Assembly | 1 | ----- | 602296 |
| 19 | Cover | 1 | ----- | 261723 |
| 20 | Snap Ring | 1 | ----- | S140-13 |
| 21 | Wire Nut | 3 | ----- | 260774 |
| 22 | Grounding Cord Assembly | 1 | ----- | 600283 |
| 23 | Lock Washer | 1 | ----- | S115-10 |
| 24 | Connect Terminal | 1 | ----- | 260609 |
| 25 | Terminal Block Assembly | 1 | ----- | 600205 |
| 26 | Sheave Assembly | 1 | ----- | 600254 |
| 27 | Screw, 10-32 x 3/8" | 5 | ----- | 300001 |
| 28 | Latch Plate Spring | 1 | ----- | S400018 |
| 29 | Screw, 10-24 x 3/8" | 1 | ----- | S32-136 |
| 30 | Screw 10-32 x 1" | 1 | ----- | 300035 |
| 31 | Latch Bumper | 1 | ----- | S400021 |
| 32 | Latch Plate Assembly | 1 | ----- | S400109 |
| 33 | Latch Bushing | 1 | ----- | S400012 |
| 34 | Base Assembly | 1 | ----- | 400101 |
| 35 | Main Shaft Kit | 1 | ----- | 602348 |
| 36 | Spacing Washer | 2 | ----- | 300034 |
| 37 | Drive Spring Assembly | 1 | ----- | S400030 |
| 38 | Spring Case Assembly | 1 | ----- | S400103 |

ULINE H-7122
CARRETE CON EXTENSIÓN
INDUSTRIAL – 20 AMPERIOS

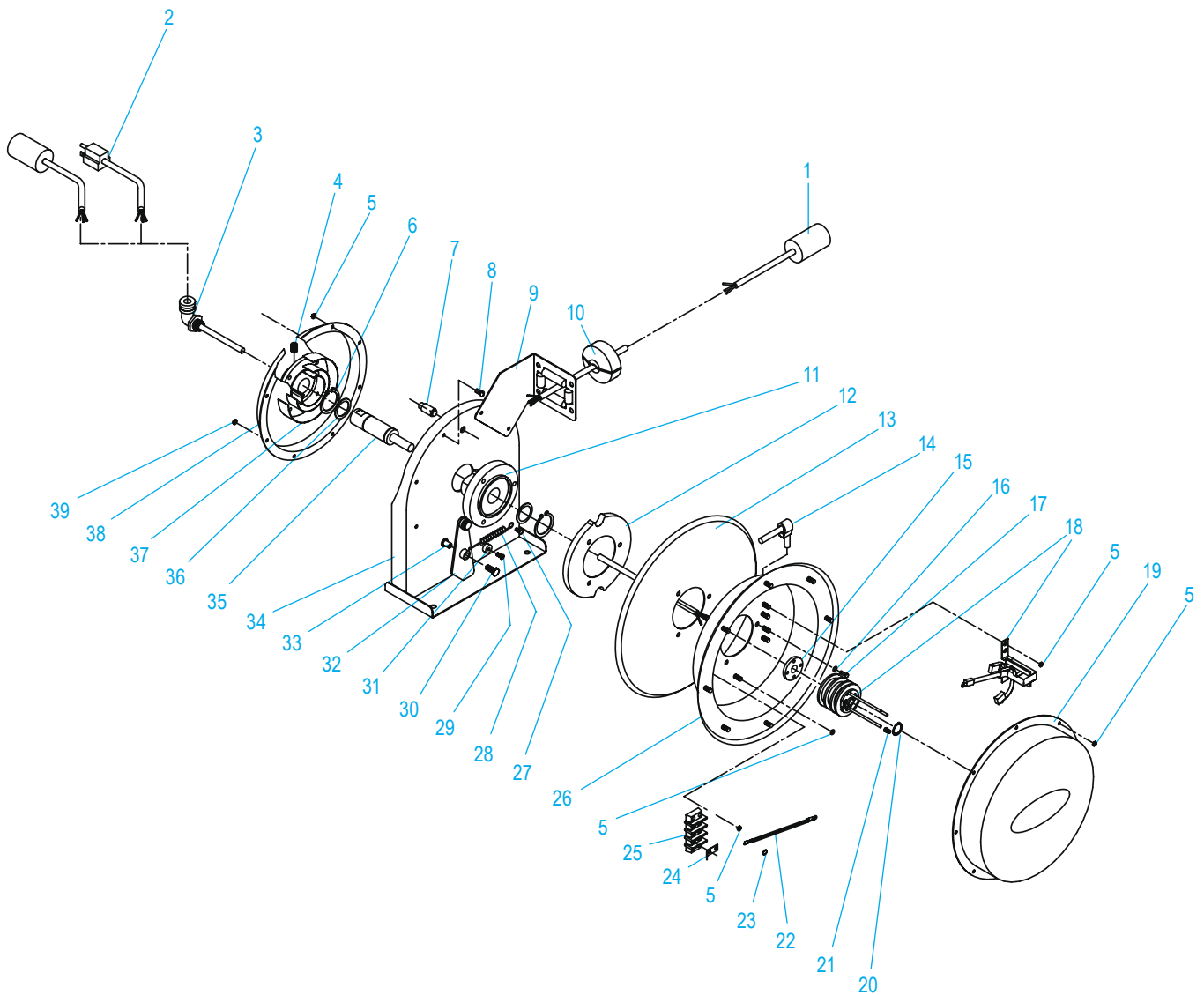
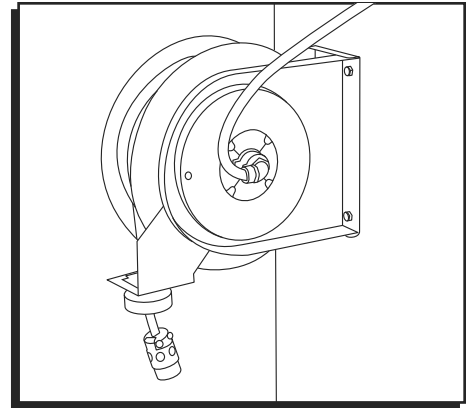
01-800-295-5510
uline.mx



| # | DESCRIPCIÓN | CANT. | NO. DE PARTE ULINE | NO. DE PARTE DEL FABRICANTE |
|----|---|-------|--------------------|-----------------------------|
| 1 | Salida Única | 1 | ----- | 602003 |
| 2 | Ensamble del Cable de Entrada | 1 | ----- | 602002 |
| 3 | Conector de Cable de 90° | 1 | ----- | S261140-C |
| 4 | Tornillo, Juego de 3/8-19 x Pasador de 1/2" | 1 | ----- | 300006 |
| 5 | Tuerca Hexagonal de Bloqueo 10-32 | 22 | ----- | S300011 |
| 6 | Anillo de Presión | 1 | ----- | 300031 |
| 7 | Remache de la Caja con Resorte | 1 | ----- | S261360 |
| 8 | Tornillo 10-32 x 1/2" | 2 | ----- | 300002 |
| 9 | Ensamble del Brazo Guía | 1 | ----- | 400107 |
| 10 | Ensamble del Parachoques | 1 | ----- | 1-HR1004-A |
| 11 | Varilla con Resorte | 1 | ----- | 400017 |
| 12 | Leva del Pestillo | 1 | ----- | S400019 |
| 13 | Disco de Polea | 1 | ----- | 400006 |
| 14 | Reductor de Tensión | 1 | ----- | 260633 |
| 15 | Adaptador de la Placa | 1 | ----- | 261577 |
| 16 | Rondana de Presión de Bloqueo | 3 | ----- | 902016 |
| 17 | Perno de Cabeza Hexagonal de 1/4-20 x 5/8" | 3 | ----- | S2-42 |
| 18 | Ensamble del Anillo Colector | 1 | ----- | 602296 |
| 19 | Cubierta | 1 | ----- | 261723 |
| 20 | Anillo de Presión | 1 | ----- | S140-13 |
| 21 | Capuchón para Cable | 3 | ----- | 260774 |
| 22 | Ensamble del Cable con Conexión a Tierra | 1 | ----- | 600283 |
| 23 | Rondana de Bloqueo | 1 | ----- | S115-10 |
| 24 | Terminal de Conexión | 1 | ----- | 260609 |
| 25 | Ensamble del Recuadro Terminal | 1 | ----- | 600205 |
| 26 | Ensamble de la Polea | 1 | ----- | 600254 |
| 27 | Tornillo, 10-32 x 3/8" | 5 | ----- | 300001 |
| 28 | Resorte de la Placa de Pestillo | 1 | ----- | S400018 |
| 29 | Tornillo, 10-24 x 3/8" | 1 | ----- | S32-136 |
| 30 | Tornillo 10-32 x 1" | 1 | ----- | 300035 |
| 31 | Parachoques del Pestillo | 1 | ----- | S400021 |
| 32 | Ensamble de la Placa de Pestillo | 1 | ----- | S400109 |
| 33 | Casquillo del Pestillo | 1 | ----- | S400012 |
| 34 | Ensamble de la Base | 1 | ----- | 400101 |
| 35 | Kit del Eje Principal | 1 | ----- | 602348 |
| 36 | Rondana de Separación | 2 | ----- | 300034 |
| 37 | Ensamble del Resorte de Transmisión | 1 | ----- | S400030 |
| 38 | Ensamble de la Caja con Resorte | 1 | ----- | S400103 |

ULINE H-7122
ENROULEUR DE
CORDON INDUSTRIEL – 20 A

1-800-295-5510
uline.ca



ULINE H-7122
ENROULEUR DE
CORDON INDUSTRIEL – 20 A

1-800-295-5510
 uline.ca

| # | DESCRIPTION | QTÉ | RÉF. ULINE | RÉF. DU FABRICANT |
|----|---------------------------------------|-----|------------|-------------------|
| 1 | Prise de courant unique | 1 | ----- | 602003 |
| 2 | Ensemble de cordon d'entrée | 1 | ----- | 602002 |
| 3 | Connecteur de cordon à 90° | 1 | ----- | S261140-C |
| 4 | Goujon à vis, 3/8-19 x 1/2 po | 1 | ----- | 300006 |
| 5 | Écrou hexagonal auto-freiné 10-32 | 22 | ----- | S300011 |
| 6 | Anneau de retenue | 1 | ----- | 300031 |
| 7 | Douille à ressort | 1 | ----- | S261360 |
| 8 | Vis 10-32 x 1/2 po | 2 | ----- | 300002 |
| 9 | Ensemble de bras de guidage | 1 | ----- | 400107 |
| 10 | Ensemble de butoir | 1 | ----- | 1-HR1004-A |
| 11 | Arbre à ressort | 1 | ----- | 400017 |
| 12 | Verrou à came | 1 | ----- | S400019 |
| 13 | Poulie | 1 | ----- | 400006 |
| 14 | Réducteur de tension | 1 | ----- | 260633 |
| 15 | Adaptateur de plaque | 1 | ----- | 261577 |
| 16 | Rondelle de blocage fendue | 3 | ----- | 902016 |
| 17 | Vis hexagonale 1/4-20 x 5/8 po | 3 | ----- | S2-42 |
| 18 | Ensemble de bague collectrice | 1 | ----- | 602296 |
| 19 | Couvercle | 1 | ----- | 261723 |
| 20 | Anneau de retenue | 1 | ----- | S140-13 |
| 21 | Capuchon de connexion | 3 | ----- | 260774 |
| 22 | Ensemble de cordon de mise à la terre | 1 | ----- | 600283 |
| 23 | Rondelle de blocage | 1 | ----- | S115-10 |
| 24 | Borne de connexion | 1 | ----- | 260609 |
| 25 | Ensemble de plaque à bornes | 1 | ----- | 600205 |
| 26 | Ensemble de poulie | 1 | ----- | 600254 |
| 27 | Vis 10-32 x 3/8 po | 5 | ----- | 300001 |
| 28 | Ressort de la plaque de verrouillage | 1 | ----- | S400018 |
| 29 | Vis 10-24 x 3/8 po | 1 | ----- | S32-136 |
| 30 | Vis 10-32 x 1 po | 1 | ----- | 300035 |
| 31 | Butoir de verrou | 1 | ----- | S400021 |
| 32 | Ensemble de plaque de verrouillage | 1 | ----- | S400109 |
| 33 | Bague de verrou | 1 | ----- | S400012 |
| 34 | Ensemble de la base | 1 | ----- | 400101 |
| 35 | Ensemble de l'arbre principal | 1 | ----- | 602348 |
| 36 | Rondelle d'espacement | 2 | ----- | 300034 |
| 37 | Ensemble de ressort moteur | 1 | ----- | S400030 |
| 38 | Ensemble de boîte à ressorts | 1 | ----- | S400103 |